



JUKI®

Elastic Tape Attaching Device with a Right Hand
Fabric Undertrimmer for MF-7800 Series

MF-7800-E10

PARTS LIST

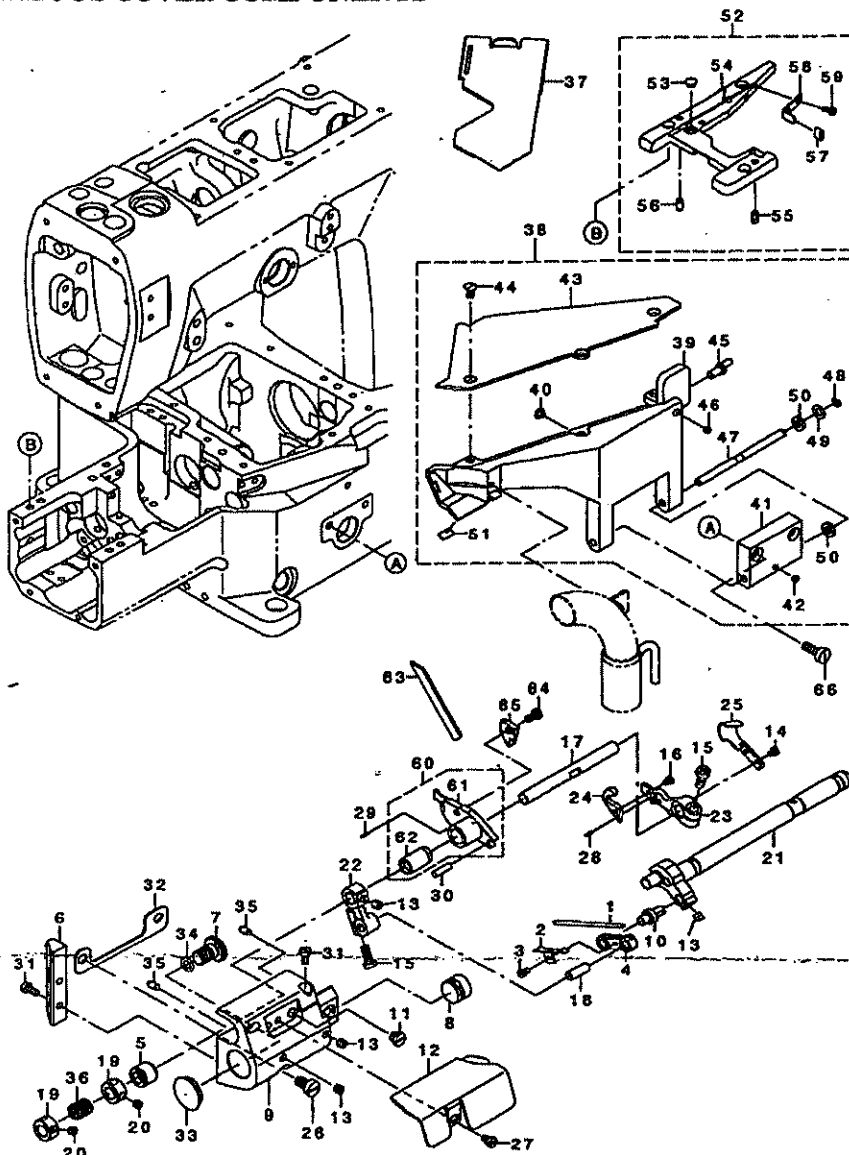
13452602

No.1398-03

ALL PARTS NOT MENTIONED IN THIS PARTS LIST ARE SAME AS THOSE OF
MODEL MF-7800 SERIES. OTHER PARTS LIST RELATED TO THIS MODEL.

*MF-7800 SERIES(NO.1379 PART NO.13450002)

1. MISCELLANEOUS COVER COMPONENTS

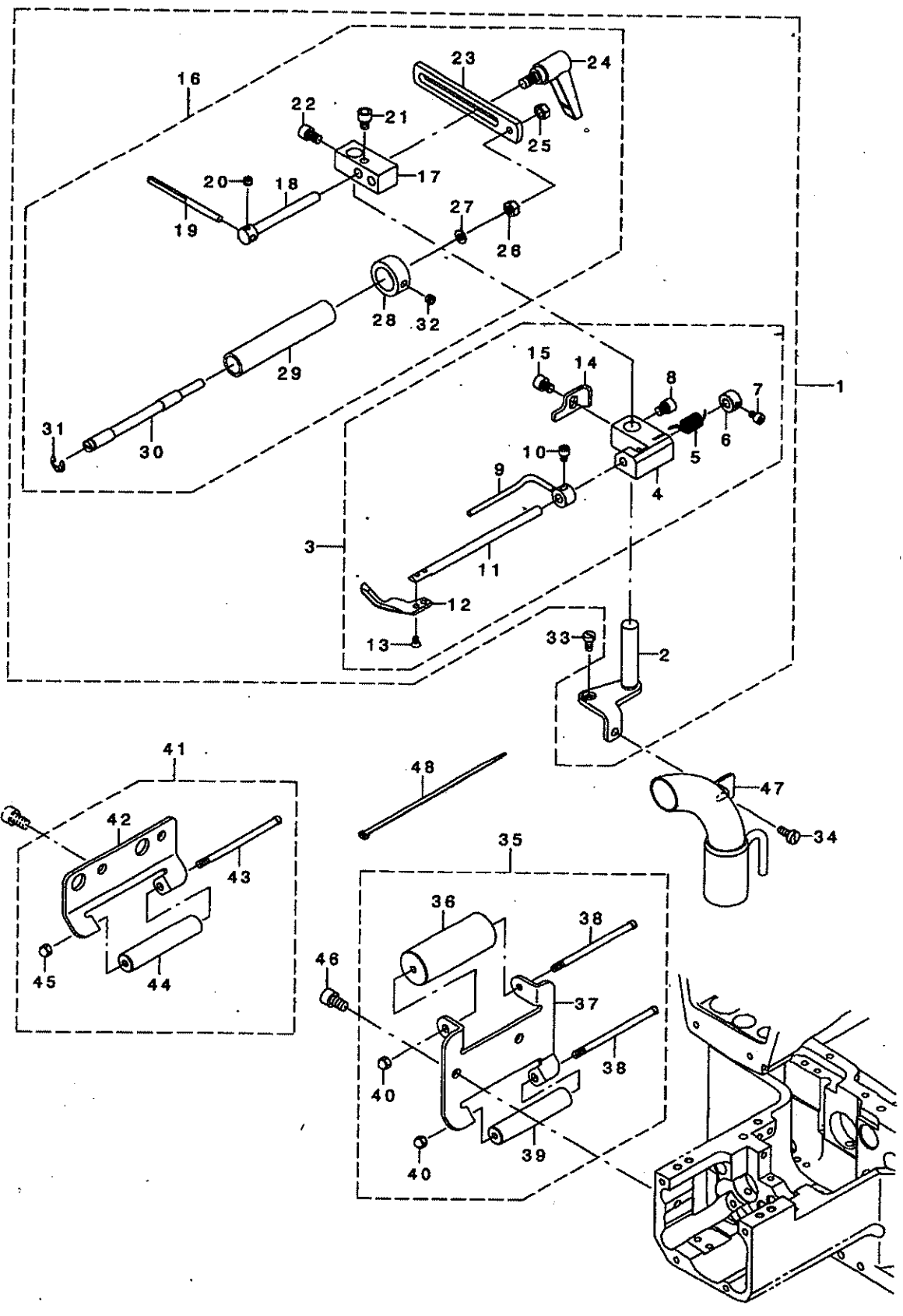


2

REF.NO	NOTE	PART NO.	DESCRIPTION	Qty
1		CQ-2020000-00	OIL WICK	0.07
2		400-38513	OIL_WICK_PLATE	1
3		SM-6030500-SH	SCREW M3 L=5	1
4		400-38085	LINK	1
5		400-08941	BUSHING A	1
6		400-38376	SIDE_COVER	1
7		400-38096	LINK_GUIDE_1	1
8		400-38097	LINK_GUIDE_2	1
9		400-40261	TRIMMER_BASE	1
10		400-38086	LINK_PIN_B	1
11		SM-8060550-TP	SCREW M6 L=4.5	1
12		400-38095	GUIDE_CIRCLE	1
13		SM-8050512-TP	SCREW	4
14		SM-4030455-SH	SCREW	2
15		SM-4051255-SP	SCREW M5 L=12	2
16		SM-4030455-SP	SCREW	1
17		400-38088	MOVING_KNIFE_SHAFT	1
18		400-38084	LINK_PIN_A	1
19		CS-0800881-TP	THRUST COLLAR	2
20		SM-8050412-TP	SCREW M5 L=4	2
21		400-38099	FEED_LIFT_SHAFT	1
22		400-38098	MOVING_KNIFE_LINK	1
23		400-40137	MOVING_KNIFE_BASE	1
24		400-38754	MOVING_KNIFE	1
25		400-38089	CHIP_GUARD	1
26		SM-8061010-TP	SCREW M6 L=10	2
27		SM-6040600-SP	SCREW M4 L=6	1
28		PH-0150065-CO	PIN	1
29		PS-0150065-KP	SPRING PIN 1.5X6	1
30		118-46805	HOLDER_PIN	1
31		SM-6040800-SP	SCREW	3
32		400-38084	TRIMMER_BASE_PACKING	1
33		TA-2050406-RO	RUBBER_PLUG	1
34		RO-0681901-00	RUBBER_RING	1
35		400-22408	TRIMMER_BASE_PIN	1
36		400-10553	KNIFE_SPRING	1
37		400-16782	SLIDE_COVER	1
38		400-21930	ASSY_SWING_DOWN_COVER	1
39		400-16784	SWING_DOWN_COVER	(1)
40		133-02302	RUBBER BUMPER	(1)
41		134-01203	HINGE	(1)
42		SM-8040360-TP	SCREW	(1)
43		400-16783	CLOTH_PLATE_FRONT	(1)
44		SM-1040800-SP	SCREW	(3)
45		134-02706	PIN_FOR_COVER	(1)
46		SM-8040360-TP	SCREW	(1)
47		134-03506	PIN_FOR_S_D_COVER	(1)
48		RE-0300000-KO	E-RING 3	(1)
49		WP-0550800-SP	WASHER 5.5X10X0.8	(1)
50		133-02708	RUBBER_WASHER	(2)
51		134-03605	RUBBER_PLATE	(1)
52		400-22017	ASSY_TP_SUPPORT_E10	1
53		133-02302	RUBBER BUMPER	(1)
54		400-16781	THROAT_PLATE_SUPPORT	(1)
55		133-01908	DOWEL_PIN	(1)
56		133-02500	DOWEL_PIN 2	(1)
57		236-30007	TUBE	(0.01)
58		134-03407	SLIDE_COVER_SUPPORT	(1)
59		SM-4030655-SP	SCREW	(2)
60		400-40270	ASSY_FIXED_KNIFE_BASE	1
61		400-38090	FIXED_KNIFE_BASE	(1)
62		400-16770	FIXED_KNIFE_BASE_BUSHING	(1)
63		400-38091	LOWER_KNIFE	1
64		SM-8040870-SP	SCREW	1
65		400-38511	LOWER_KNIFE_PRESSER_PLATE	1
66		SM-8051400-SP	SCREW	2

2. TAPE GUIDE COMPONENTS

3



4

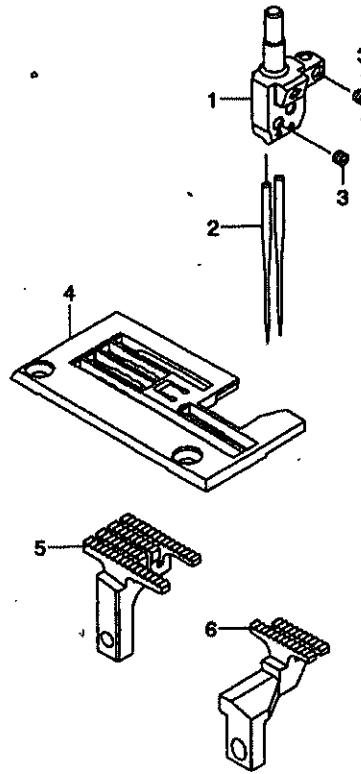
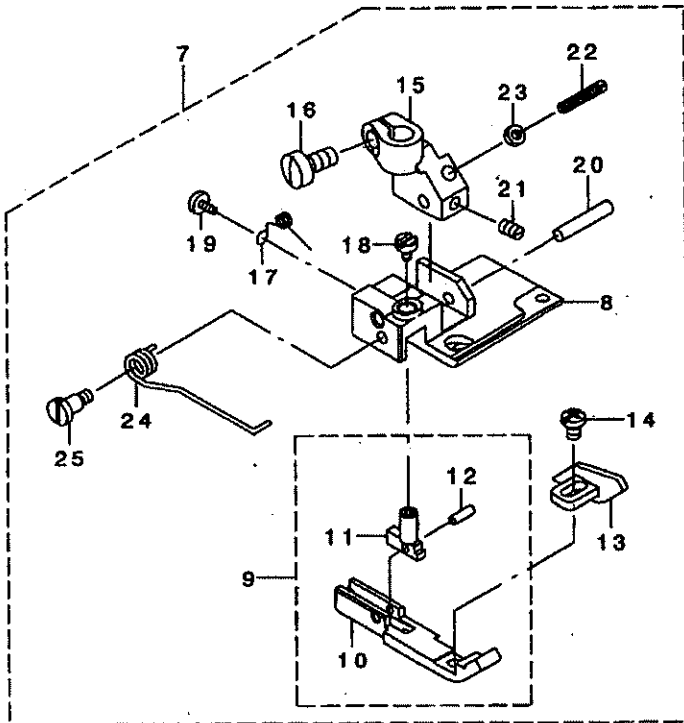
REF. NO	NOTE	PART NO.	DESCRIPTION	Qty
1		400-24947	ELASTIC_ATTACHING_DEVICE_ASSY	1
2		400-20050	STUD_ASSEMBLY	(1)
3		400-20053	HOLD_DOWN_PLATE_ASSY	(1)
4		400-20055	BRACKET	(1)
5		400-20080	SPRING	(1)
6		CS-0550781-CB	THRUST COLLAR D=5.5 W=7	(1)
7		SM-8040502-TP	SCREW M4X0.7 L=5	(1)
8		SM-8050852-TP	HEXAGON SOCKET HEAD SCREW M5X6	(1)
9		400-20057	LEVER_ASSEMBLY	(1)
10		SM-8040502-TP	SCREW M4X0.7 L=5	(1)
11		400-20062	SHAFT	(1)
12		400-20054	HOLD_DOWN_PLATE	(1)
13		SM-1030501-SN	SCREW M3 L=5	(2)
14		400-20056	STOPPER	(1)
15		SM-8050852-TP	HEXAGON SOCKET HEAD SCREW M5X6	(1)
16		400-20083	ELASTIC_ATTACHING_DEVICE	(1)
17		400-20084	SUPPORT	(1)
18		400-20086	HOLDER	(1)
19		400-20087	ELASTIC_GUIDE	(1)
20		SM-8040302-TP	SETSCREW	(1)
21		SM-8050852-TP	HEXAGON SOCKET HEAD SCREW M5X6	(1)
22		SM-8050802-TP	SCREW M5X0.8 L=8	(1)
23		400-20085	BRACKET	(1)
24		400-20071	CLAMP_LEVER M6 L=12	(1)
25		NM-8050002-SE	NUT M5	(1)
26		NM-8050002-SE	NUT M5	(1)
27		WP-0550836-SC	WASHER 5.5X12X0.8	(1)
28		400-20070	COLLAR	(1)
29		400-20069	ROLLER	(1)
30		400-20068	SHAFT	(1)
31		RE-0500000-K0	E-RING	(1)
32		SM-8040412-TP	SET SCREW M4 L=4	(1)
33		SM-8040800-SP	SCREW	1
34		SM-8041000-SP	SCREW M4 L=10	1
35	#01	400-26582	REAR_ROLLER_ASSY_2	1
36		400-21836	REAR_ROLLER_LARGE	(1)
37		400-21835	BRACKET_REAR_ROLLER_2	(1)
38		400-21838	SHAFT_REAR_ROLLER	(2)
39		400-21837	REAR_ROLLER_SMALL	(1)
40		NM-7040032-SC	HEXAGONAL CAP NUT, TYPE 3 M4	(2)
41	#02	400-26581	REAR_ROLLER_ASSY_1	1
42		400-21834	BRACKET_REAR_ROLLER_1	(1)
43		400-21838	SHAFT_REAR_ROLLER	(1)
44		400-21837	REAR_ROLLER_SMALL	(1)
45		NM-7040032-SC	HEXAGONAL CAP NUT, TYPE 3 M4	(1)
46		SM-8060802-TP	SCREW M6 L=8	2
47		400-19989	ASSY_CLOTH_DUST_PIPE	1
48		EA-9500B02-00	CABLE BAND 150	1

Note #01....WITHOUT PULLER MODELS
 (ACCESSORIES PARTS)
 #02....WITH PULLER MODELS
 (ACCESSORIES PARTS)

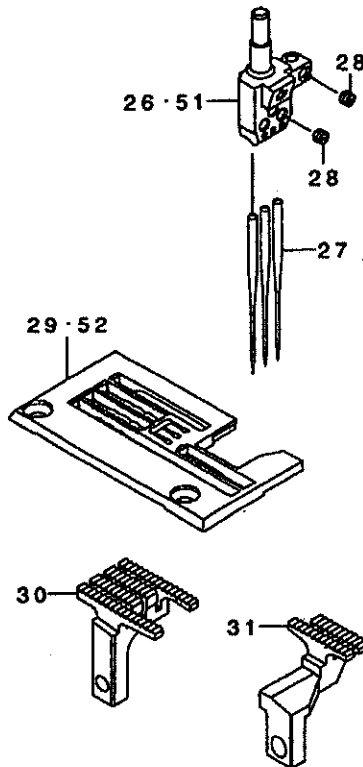
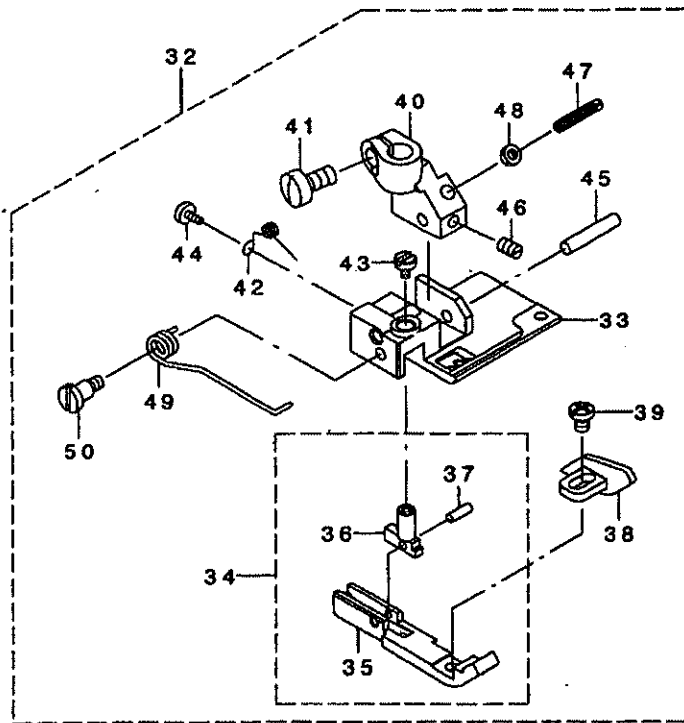
3. GAUGE PARTS COMPONENTS

5

MF-7822-E10-B40



MF-7823-E10-B56
MF-7823-E10-B64



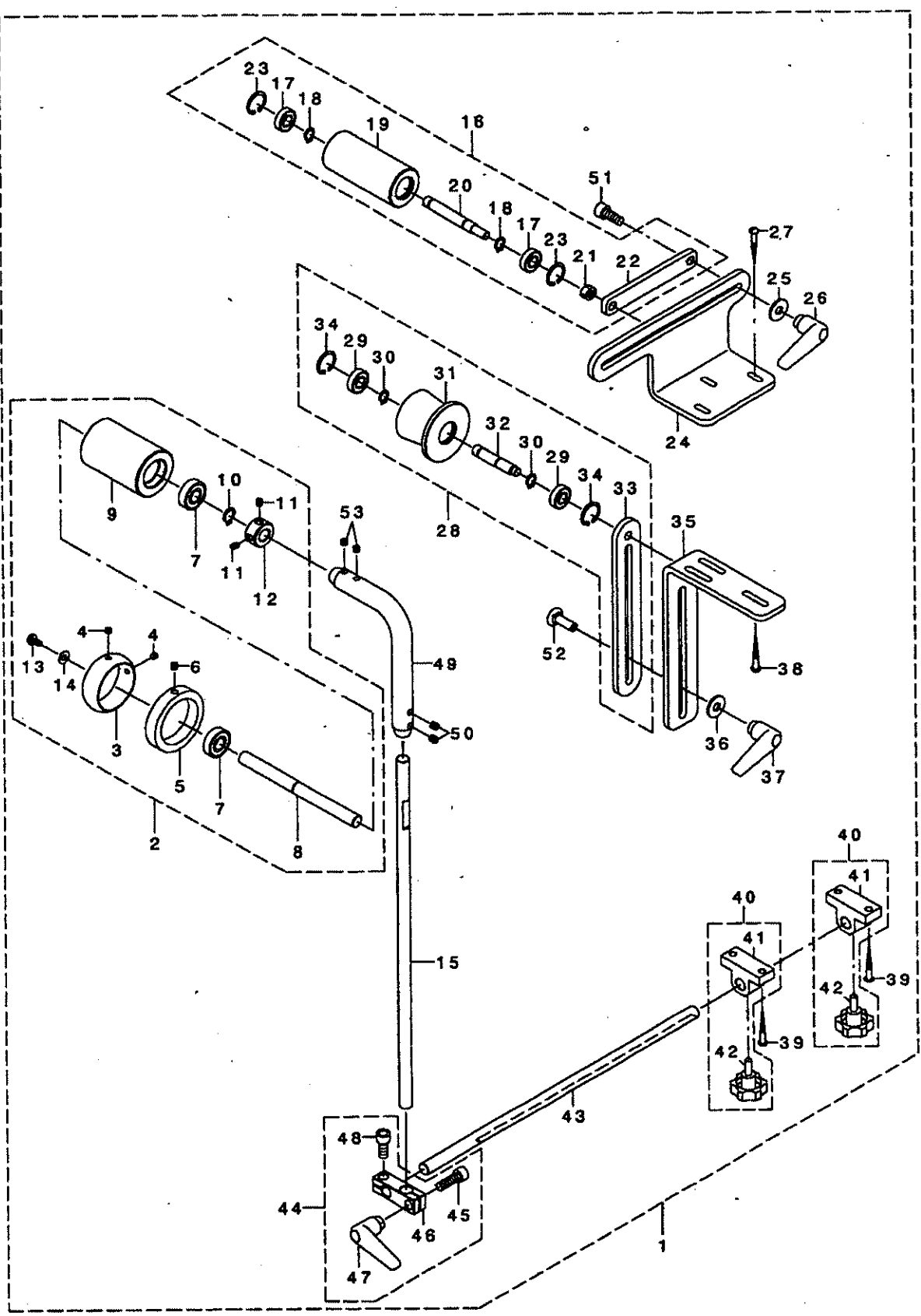
6

REF.NO	NOTE	PART NO.	DESCRIPTION	Qty
1		133-50103	NEEDLE_HEAD_40	1
2		MUY-128S1000	NEEDLE	2
3		SM-8030350-TP	SCREW	3
4		133-56001	THROAT_PLATE	1
5		134-30806	MAIN_FEED_DOG	1
6		134-33107	DIFF_FEED_DOG	1
7		400-22100	PRESSER_FOOT_40_ASSY	1
8		400-22103	PRESSER_FOOT_BOTTOM_40	(1)
9		400-22106	YIELDING_SECTION_ASSY	(1)
10		400-22107	YIELDING_SECTION	(1)
11		133-77205	YIELDING_SECTION_SHANK	(1)
12		133-77304	PIVOT_PIN	(1)
13		400-22108	KNIFE_GUIDE	(1)
14		SM-4030455-SP	SCREW	(1)
15		133-76504	PRESSER_FOOT_SHANK	(1)
16		SM-7040800-SL	SCREW	(1)
17		133-76603	YIELDING_SECTION_SPRING	(1)
18		133-76702	THREAD_SPRING_SCREW	(1)
19		SM-4030455-SP	SCREW	(1)
20		PH-0300162-CO	PARALLEL_PIN_3X16	(1)
21		SM-8030500-SP	SCREW	(1)
22		133-76801	SCREW_FOR_PRESSER_FOOT	(1)
23		NM-6030001-SD	NUT M3X0.5	(1)
24		400-22109	YIELDING_SECTIONSPRING	(1)
25		133-77809	GUIDE_SCREW	(1)
26	#01	133-50301	NEEDLE_HEAD_56	1
27		MUY-128S1000	NEEDLE	3
28		SM-8030350-TP	SCREW	4
29	#01	133-56209	THROAT_PLATE	1
30		134-30905	MAIN_FEED_DOG	1
31		134-33206	DIFF_FEED_DOG	1
32		400-22101	PRESSER_FOOT_56_ASSY	1
33		400-22104	PRESSER_FOOT_BOTTOM_56	(1)
34		400-22106	YIELDING_SECTION_ASSY	(1)
35		400-22107	YIELDING_SECTION	(1)
36		133-77205	YIELDING_SECTION_SHANK	(1)
37		133-77304	PIVOT_PIN	(1)
38		400-22108	KNIFE_GUIDE	(1)
39		SM-4030455-SP	SCREW	(1)
40		133-76504	PRESSER_FOOT_SHANK	(1)
41		SM-7040800-SL	SCREW	(1)
42		133-76603	YIELDING_SECTION_SPRING	(1)
43		133-76702	THREAD_SPRING_SCREW	(1)
44		SM-4030455-SP	SCREW	(1)
45		PH-0300162-CO	PARALLEL_PIN_3X16	(1)
46		SM-8030500-SP	SCREW	(1)
47		133-76801	SCREW_FOR_PRESSER_FOOT	(1)
48		NM-6030001-SD	NUT M3X0.5	(1)
49		400-22109	YIELDING_SECTIONSPRING	(1)
50		133-77809	GUIDE_SCREW	(1)
51	#02	133-50400	NEEDLE_HEAD_64	1
52	#02	133-56308	THROAT_PLATE	1

Note #01....FOR MF-7823-E10-B56
#02....FOR MF-7823-E10-B64

4. TENSION ROLLER COMPONENTS

7





REF.NO	NOTE	PART NO.	DESCRIPTION	Qty
1		400-31045	TENSION_ROLLER_ASSEMBLY	1
2		400-31141	FRONT_ROLLER_SUB_ASSEMBLY	(1)
3		400-24938	CLOTH_GUIDE	(1)
4		SM-8050412-TP	SCREW M5 L=4	(2)
5		400-21845	COLLER_LARGE	(1)
6		SM-8050612-TP	SCREW M5X6	(1)
7		SB-1120002-00	BEARING	(2)
8		400-30143	ROLLER_SHAFT	(1)
9		400-30144	FRONT_ROLLER	(1)
10		RC-1200001-KP	C-SHAPED SNAP RING	(1)
11		SM-8050612-TP	SCREW M5X6	(2)
12		400-30284	COLLAR	(1)
13		SM-3061052-TP	SCREW M6 L=10	(1)
14		WP-0621016-SD	WASHER 6.2X13X1	(1)
15		400-30145	ROLLER_SHAFT 1	(1)
16		400-31142	REAR_ROLLER_SUB_ASSEMBLY	(1)
17		SB-1100009-00	BEARING	(2)
18		RC-0100001-KP	SNAP RING M10	(2)
19		400-30148	REAR_ROLLER	(1)
20		400-30147	REAR_SHAFT	(1)
21		NM-6080001-SC	NUT M8X1.25	(1)
22		400-30149	REAR_LEVER	(1)
23		RC-2200002-KP	RETAINING RING	(2)
24		400-30150	REAR_BRACKET	(1)
25		WP-0851846-SC	WASHER 8.5X22.0X1.8	(1)
26		400-31043	CLAMP_LEVER	(1)
27		SK-3483201-SE	WOOD SCREW D=4.8 L=32	(3)
28		400-31143	LOWER_ROLLER_SUB_ASSEMBLY	(1)
29		SB-1100009-00	BEARING	(2)
30		RC-0100001-KP	SNAP RING M10	(2)
31		400-30141	LOWER_ROLLER	(1)
32		400-30142	LOWER_ROLLER_SHAFT	(1)
33		400-30152	ROLLER_PLATE	(1)
34		RC-2200002-KP	RETAINING RING	(2)
35		400-24944	L PLATE	(1)
36		WP-0851846-SC	WASHER 8.5X22.0X1.8	(1)
37		400-31043	CLAMP_LEVER	(1)
38		SK-3483201-SE	WOOD SCREW D=4.8 L=32	(3)
39		SK-3483201-SE	WOOD SCREW D=4.8 L=32	(4)
40		400-31145	KNOB SUB ASSEMBLY	(2)
41		400-30139	BRACKET	(1)
42		203-10306	KNOB SCREW (M6-L15)	(1)
43		400-30140	LOWER_SLIDE_SHAFT	(1)
44		400-31146	CLAMP_LEVER_SUB_ASSEMBLY	(1)
45		SM-6082502-TP	SCREW M8 L=25	(1)
46		400-30151	BLOCK	(1)
47		400-31043	CLAMP_LEVER	(1)
48		SM-6081802-TP	SCREW	(1)
49		400-30146	ROLLER_BRACKET	(1)
50		SM-8060612-TP	SCREW M6 L=6	(2)
51		SM-6082002-TP	SCREW M8 L=20	(1)
52		MTJ-MS000100	BOLT M8 L=25	(1)
53		SM-8060412-TP	SCREW	(2)

JUKI CORPORATION

MARKETING & SALES H.Q.
8-2-1, KOKURYO -CHO, CHOFU-SHI
TOKYO 182-8655, JAPAN

PHONE : (81)3-3480-2357-2358
FAX : (81)3-3430-4909-4914

Copyright © 2005 JUKI CORP.
All rights reserved throughout the world.
Printed in China