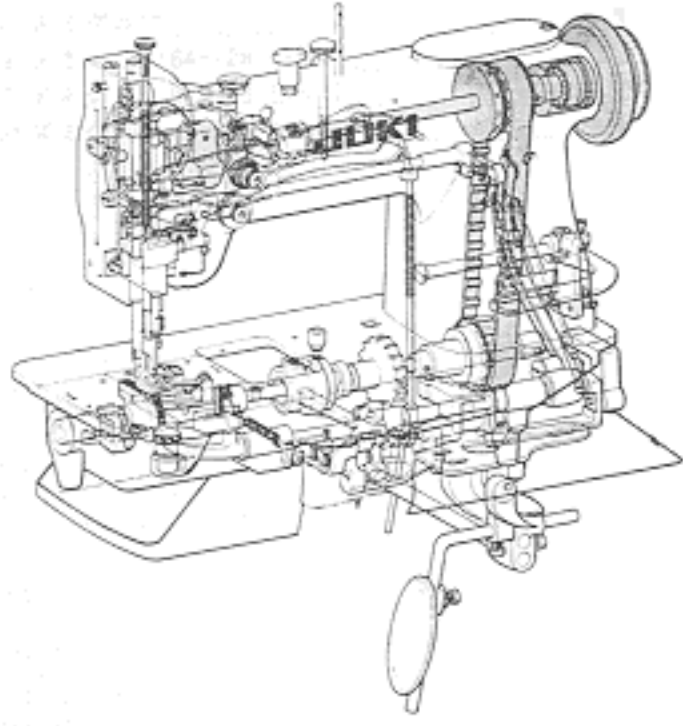
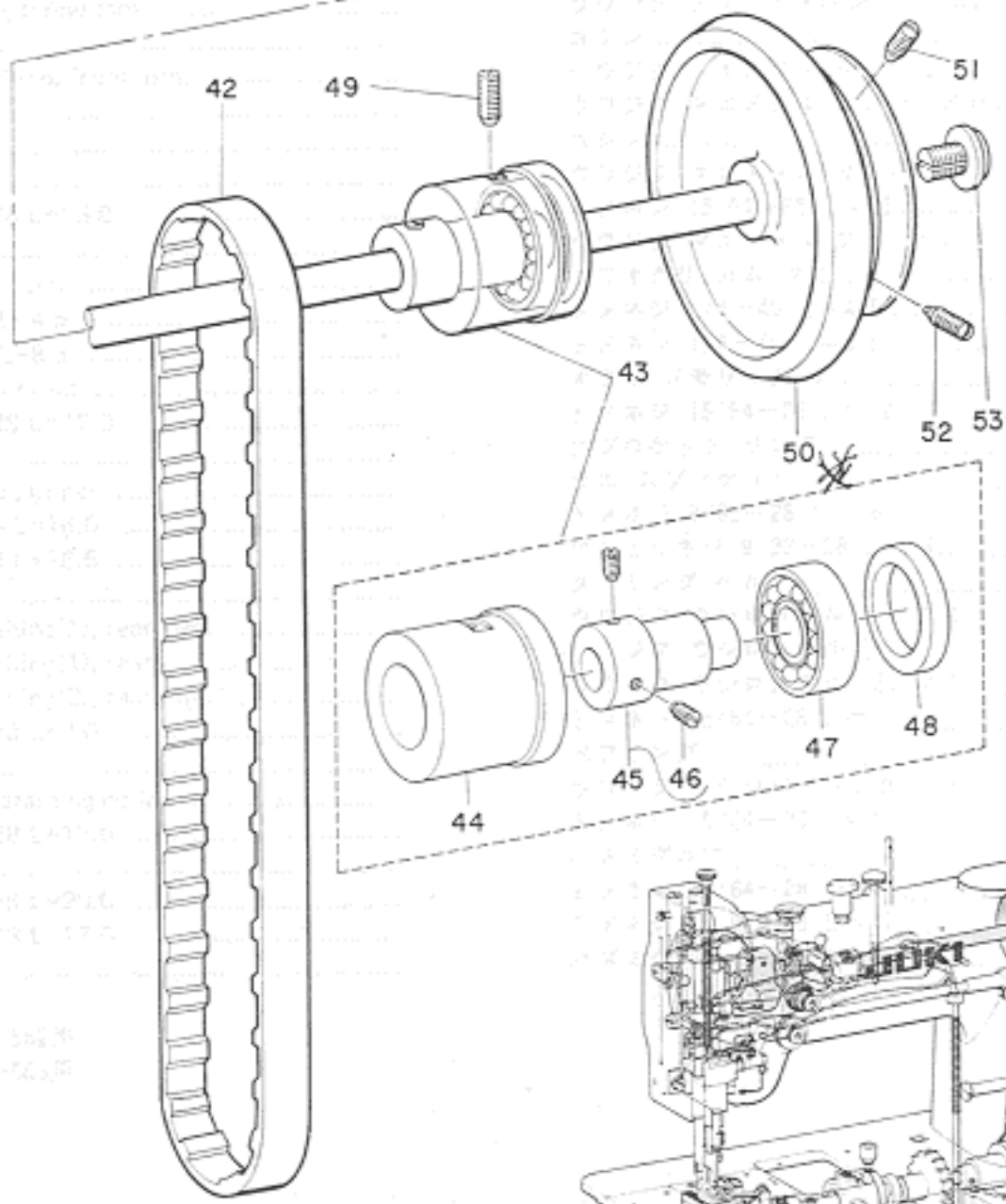
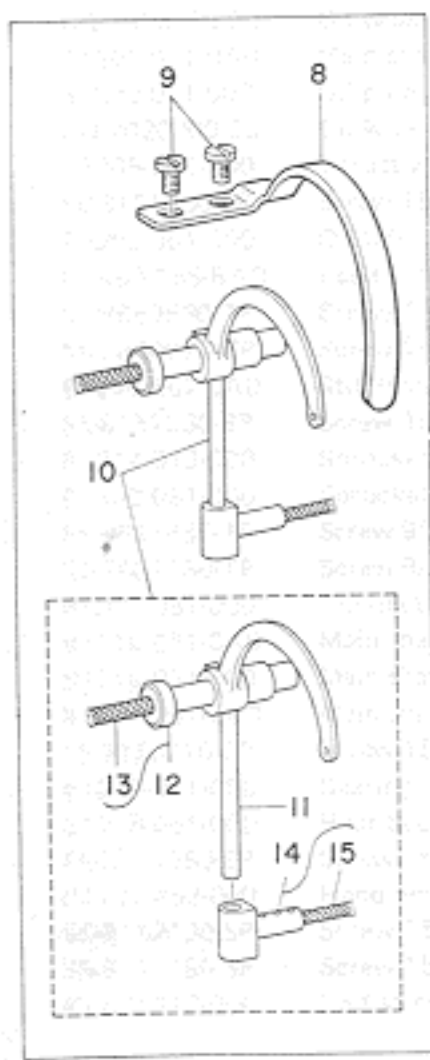
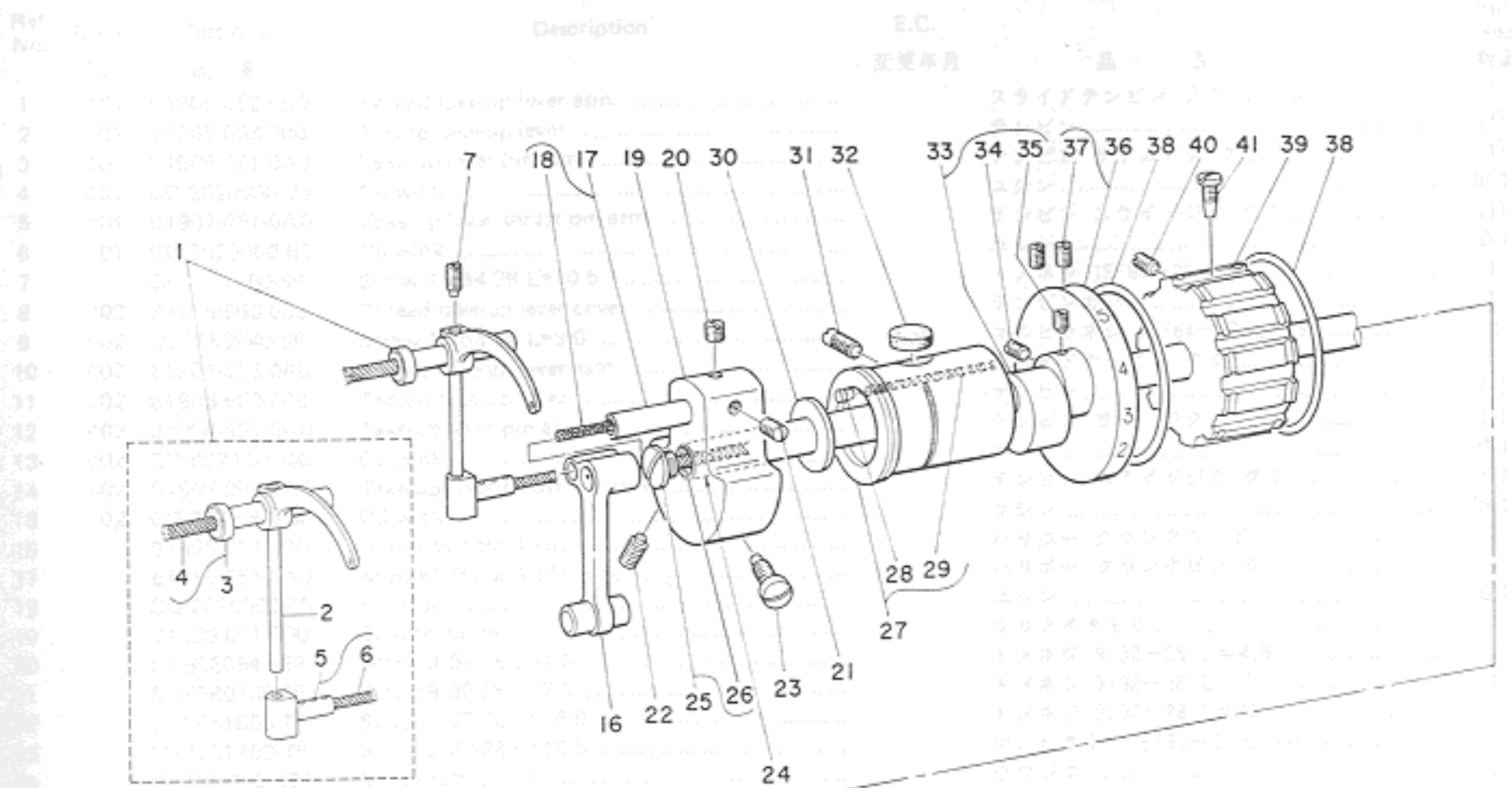


| Ref. No. | Note | Part No. | Description | E.C. | Amt. Req. |
|----------|------|-----------------|--------------------------------------|--------|-----------|
| | 注記 | 品番 | | 変更年月 | 数量 |
| 1 | | B3101-053-000 | Face plate | | 1 |
| 2 | | B3106-019-000 | Screw | | 1 |
| 3 | | B1140-051-000 | Take-up oil splasher | | 1 |
| 4 | | SS-3090610-SP | Screw 9/64-40 L=6.0 | | 1 |
| 5 | ◇01 | B1129-051-000 | Frame thread guide, upper | | 1 |
| 6 | ◇02 | B1129-563-000 | Frame thread guide, upper | | 1 |
| 7 | | SS-2090710-SP | Screw 9/64-40 L=7.0 | | 2 |
| 8 | | B1103-051-000 | Face plate pin | | 1 |
| 9 | | B1130-051-000 | Frame thread guide, middle | | 1 |
| 10 | | SS-2090710-SP | Screw 9/64-40 L=7.0 | | 1 |
| 11 | | B1131-562-000 | Frame thread guide, lower | | 1 |
| 12 | | SS-3090610-SP | Screw 9/64-40 L=6.0 | | 1 |
| 13 | | B3138-051-000 | Take-up spring adjusting plate | | 1 |
| 14 | | SS-7090520-SP | Screw 9/64-40 L=4.5 | | 1 |
| 15 | | SS-7110720-SP | Screw 11/64-40 L=7.0 | | 1 |
| 16 | | B1128-051-000 | Three-hole thread eyelet | | 1 |
| 17 | | SS-8110510-SP | Screw 11/64-40 L=5.0 | | 1 |
| 18 | | B3501-051-000 | Oil filter sleeve | | 1 |
| 19 | | B1155-053-000 | Oil cup | | 1 |
| 20 | | B1509-051-000 | Adjusting screw | | 1 |
| 21 | | B1114-051-000 | Needle thread guide pin | | 1 |
| 22 | | B1150-051-000 | Top cover | | 1 |
| 23 | | B1152-051-000 | Washer | | 1 |
| 24 | | SD-0630241-SD | Hinge screw D=6.30 H=2.4 | | 1 |
| 25 | | B3121-053-0A0 | Tension controller base asm. | | 1 |
| 26 | | B3122-053-000 | Tension release bar | | (1) |
| 27 | | B3134-051-000 | Tension release lever | | (1) |
| 28 | | SD-0470281-SP | Hinge screw D=4.80 H=2.8 | | (2) |
| 29 | | B3127-051-000 | Tension release pin, short | | (1) |
| 30 | | B3124-051-0A0 | Tension stud asm. | | (1) |
| 31 | | B3124-051-000 | Tension stud | | (1) |
| 32 | | B3131-051-000 | Thread tension disc pin | | (1) |
| 33 | | B3126-051-000 | Tension disc | | (2) |
| 34 | | B3132-051-000 | Tension disc holder | | (1) |
| 35 | | B3129-053-000 | Tension spring | | (1) |
| 36 | | B3125-012-000 | Thread tension stud nut | | (2) |
| 37 | | B3137-051-0A0 | Take-up spring guide disc asm. | | (1) |
| 38 | | SS-4080610-SP | Screw 1/8-44 L=6.4 | | (1) |
| 39 | | B3128-051-000 | Thread take-up spring | | (1) |
| 40 | | B3123-051-000 | Take-up spring stud | | (1) |
| 41 | | SS-8111251-SP | Screw 11/64-40 L=12.0 | | 1 |
| 42 | | B1157-009-0A0 | Oil cup asm. | | 2 |
| 43 | | B1405-012-000 | Cap | | 1 |
| 44 | | B1132-562-000 | Oil felt | | 1 |
| 45 | | B1112-053-000-A | Bed slide, left | | 1 |
| 46 | | B1113-053-000-A | Bed slide, right | | 1 |
| 47 | ◇01 | B1109-562-000 | Throat plate | | 1 |
| 48 | ◇02 | B1109-053-000-A | Throat plate | | 1 |
| 49 | | SS-2110920-TP | Screw 11/64-40 L=8.5 | | 2 |
| 50 | | B3542-581-000 | Oil felt | | 1 |
| 51 | ◇01 | B1839-053-000 | Oil receiving cover | | 1 |
| 52 | ◇01 | B1841-053-000 | Oil drip felt | | 1 |
| 53 | ◇01 | SS-7110410-SP | Screw 11/64-40 L=4.0 | D.7/77 | - |
| | ◇01 | SS-7110510-SP | Screw 11/64-40 L=5.0 | A.7/77 | 2 |
| 54 | ◇02 | B1838-563-000 | Oil shield, (A) | | 1 |
| 55 | ◇02 | B1844-563-000 | Oil shield, (B) | | 1 |
| 56 | ◇02 | B8146-563-000 | Oil drip felt | | 1 |
| 57 | ◇02 | SS-7110510-SP | Screw 11/64-40 L=5.0 | | 4 |
| 58 | ◇02 | B1839-563-000 | Oil receiving cover | | 1 |
| 59 | ◇02 | B1841-563-000 | Oil drip felt | | 1 |

Note (注記) ◇01 For LU-562 LU-562用
 ◇02 For LU-563 LU-563用



2. UPPER MAIN SHAFT & THREAD TAKE-UP COMPONENTS

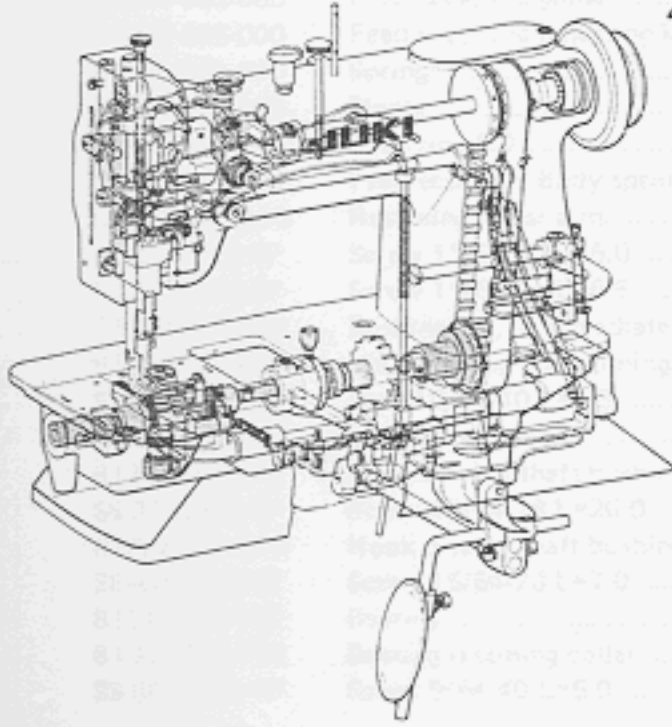
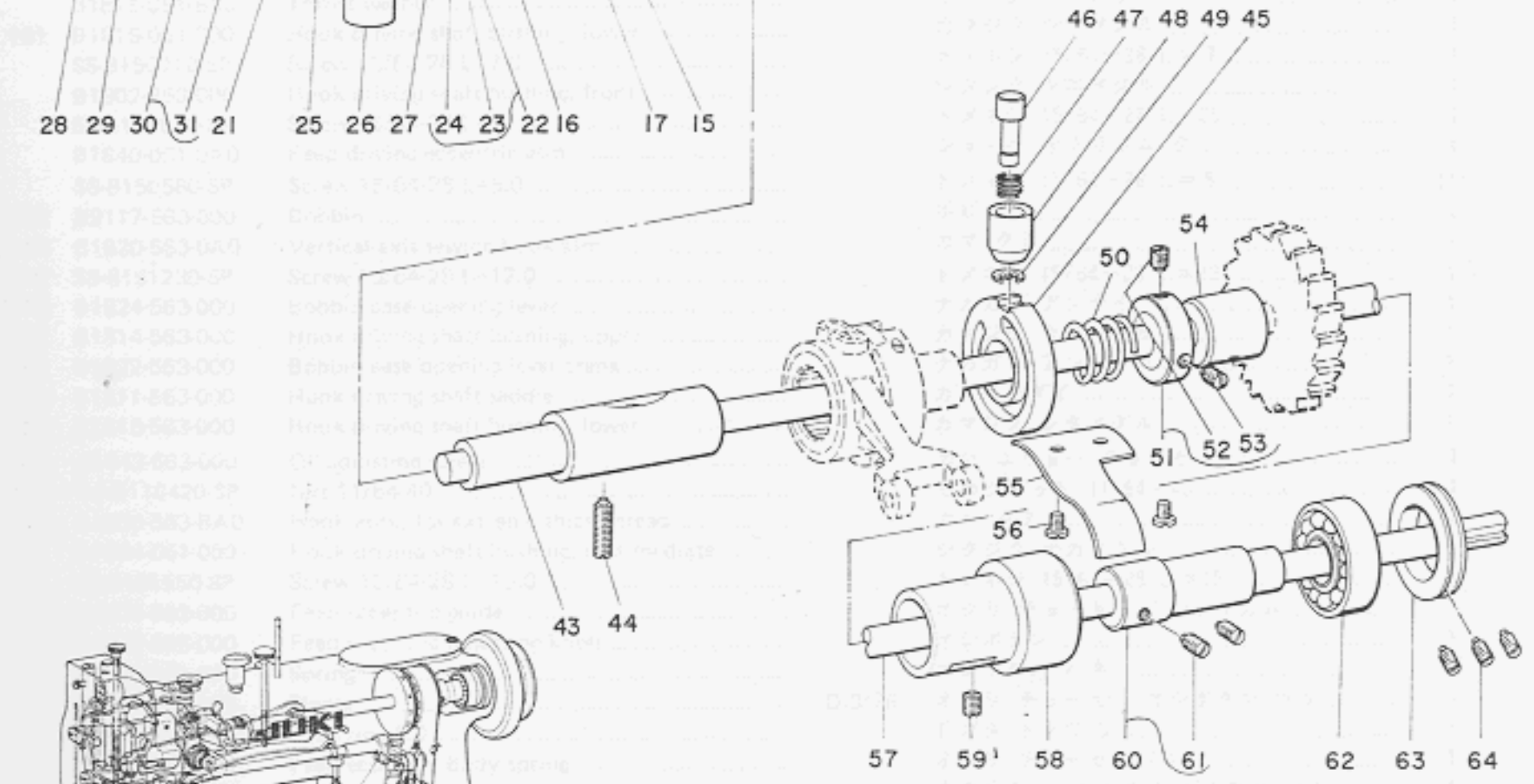
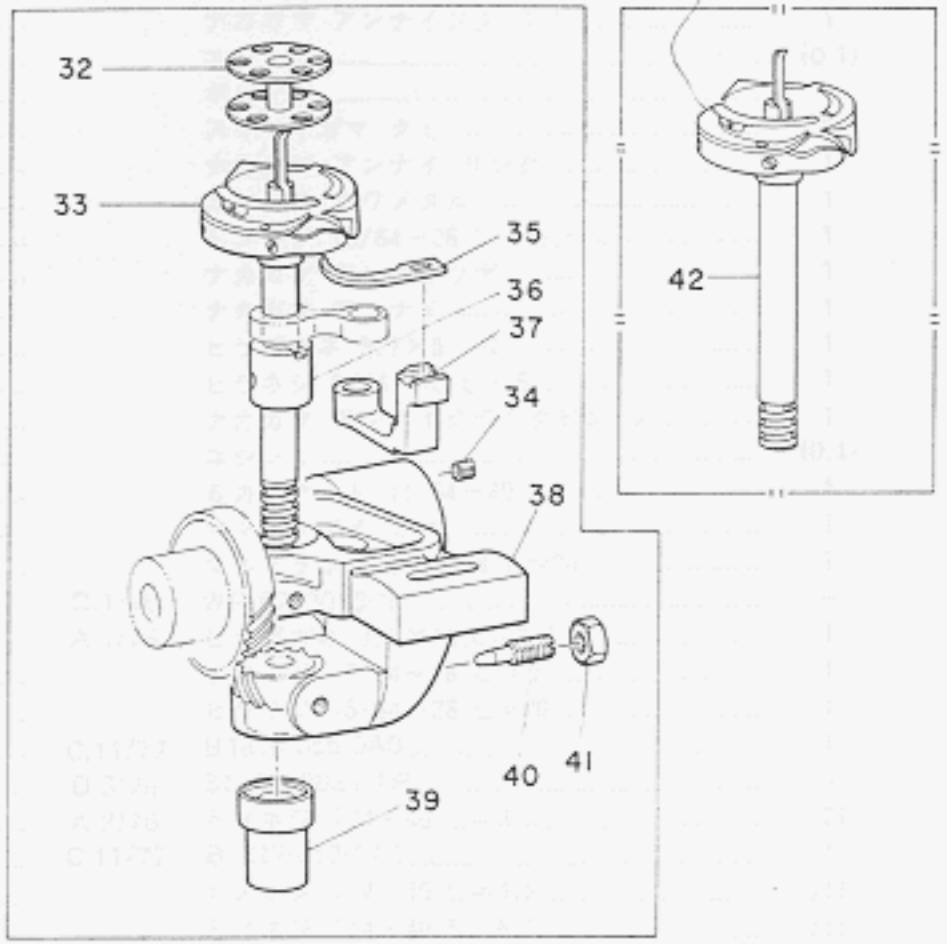
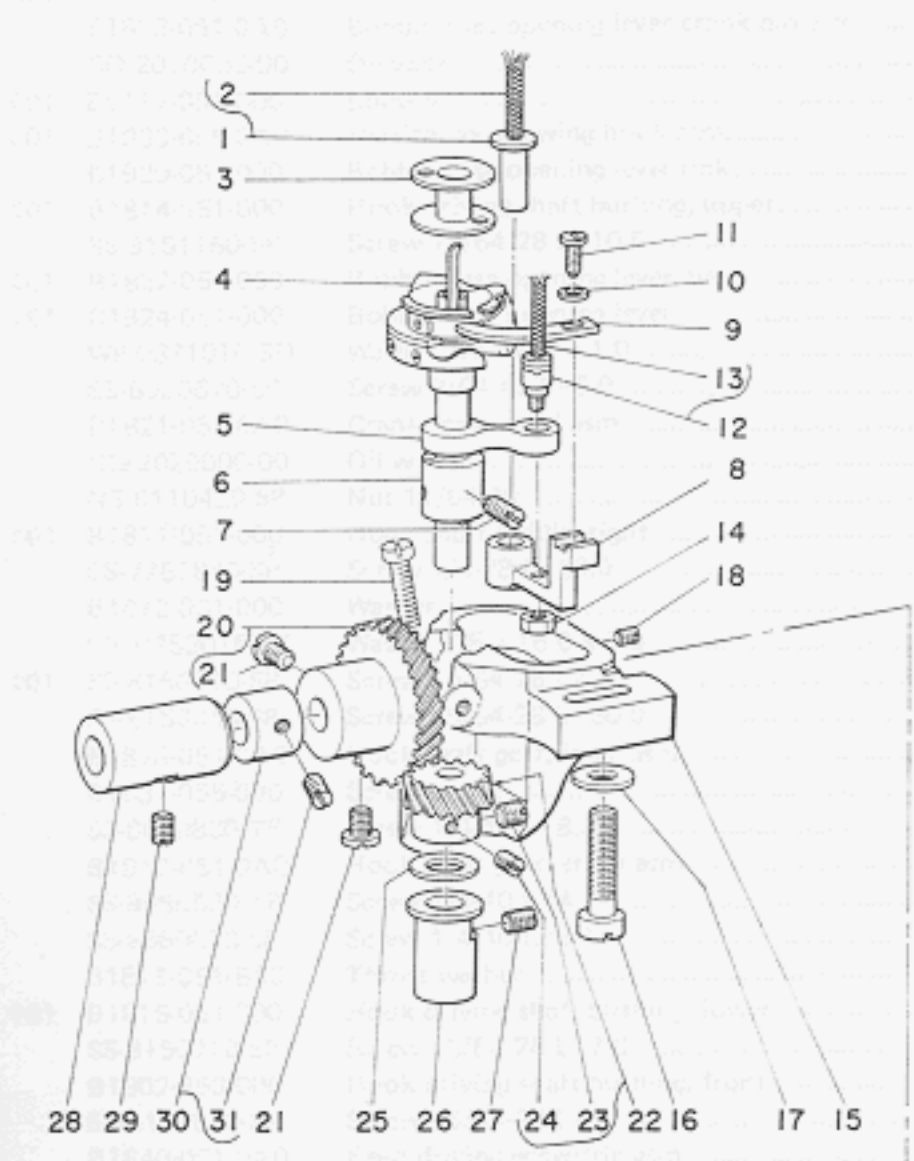
| Ref. No. | Note | Part No. | Description | E.C. | 品名 | Amt. Req. |
|----------|------|---------------|----------------------------------|------|-----------------------|-----------|
| | 注記 | 品番 | | 変更年月 | | 数量 |
| 1 | ◇01 | B1905-053-0B0 | Thread take-up lever asm. | | スライドテンビン クミ | 1 |
| 2 | ◇01 | B1905-053-000 | Thread take-up lever | | テンビン | (1) |
| 3 | ◇01 | B1906-051-0A0 | Take-up lever pin asm. | 32 | テンビン ササエジク クミ | (1) |
| 4 | ◇01 | CQ-2020000-00 | Oil wick | | ユシン | (0.1) |
| 5 | ◇01 | B1907-051-0A0 | Take-up lever thrust pin asm. | | テンビン スライドジク クミ | (1) |
| 6 | ◇01 | CQ-2020000-00 | Oil wick | | ユシン | (0.1) |
| 7 | | SS-8151150-SP | Screw 15/64-28 L=10.5 | 33 | トメネジ 15/64-28 L=10.5 | 1 |
| 8 | ◇02 | B1158-563-000 | Thread take-up lever cover | | テンビンカバー | 1 |
| 9 | ◇02 | SS-7150940-SP | Screw 15/64-28 L=9.0 | | マルヒラネジ 15/64-28 L=9 | 2 |
| 10 | ◇02 | B1905-563-0B0 | Thread take-up lever asm. | | スライドテンビン クミ | 1 |
| 11 | ◇02 | B1905-563-000 | Thread take-up lever | | テンビン | (1) |
| 12 | ◇02 | B1906-051-0A0 | Take-up lever pin asm. | | テンビン ササエジク クミ | (1) |
| 13 | ◇02 | CQ-2020000-00 | Oil wick | | ユシン | (0.1) |
| 14 | ◇02 | B1907-051-0A0 | Take-up lever thrust pin asm. | | テンビン スライドジク クミ | (1) |
| 15 | ◇02 | CQ-2020000-00 | Oil wick | | ユシン | (0.1) |
| 16 | | B1408-051-000 | Needle bar crank rod | | ハリボー クランクロッド | 1 |
| 17 | | B1210-051-0A0 | Needle bar crank pin asm. | | ハリボー クランクピン クミ | 1 |
| 18 | | CQ-2020000-00 | Oil wick | | ユシン | (0.1) |
| 19 | | B1206-051-000 | Counterweight | | ツリアイオモリ | 1 |
| 20 | | SS-8680540-SP | Screw 9/32-28 L=4.5 | | トメネジ 9/32-28 L=4.5 | 1 |
| 21 | | SS-8680730-SP | Screw 9/32-28 L=7.0 | | トメネジ 9/32-28 L=7 | 1 |
| 22 | | SS-8681650-TP | Screw 9/32-28 L=16.0 | | トメネジ 9/32-28 L=16 | 1 |
| 23 | | SS-7681750-TP | Screw 9/32-28 L=16.5 | | マルヒラネジ 9/32-28 L=16.5 | 1 |
| 24 | | D1201-055-B00 | Main shaft | | ウワジク | 1 |
| 25 | | B1207-051-0A0 | Main shaft plug screw asm. | | ウワジク アブラトメネジ クミ | 1 |
| 26 | | CQ-2020000-00 | Oil wick | | ユシン | (0.1) |
| 27 | | B1202-051-0A0 | Main shaft bushing, front asm. | | ウワジク マエメタル クミ | 1 |
| 28 | | B1230-051-000 | Oil plug | | ウワジク マエメタル ユシントメセン | (1) |
| 29 | | CQ-2020000-00 | Oil wick | | ユシン | (0.1) |
| 30 | | B1205-051-000 | Thrust washer | | ウワジク マエメタル ザガネ | 1 |
| 31 | | SS-8151350-SP | Screw 15/64-28 L=13.0 | | トメネジ 15/64-28 L=13 | 1 |
| 32 | | B1203-051-000 | Oil felt | | ウワジク マエメタル フェルト | 1 |
| 33 | | D1450-055-BA0 | Feed eccentric asm. | | ウワオクリ カム クミ | 1 |
| 34 | | SS-8660530-TP | Screw 1/4-40 L=4.5 | | トメネジ 1/4-40 L=4.5 | (1) |
| 35 | | SS-8660970-TP | Screw 1/4-40 L=8.5 | | トメネジ 1/4-40 L=8.5 | (1) |
| 36 | | B1220-562-0A0 | Stitch graduator asm. | | オクリ メモリイタ クミ | 1 |
| 37 | | SS-8151230-SP | Screw 15/64-28 L=12.0 | | トメネジ 15/64-28 L=12 | (2) |
| 38 | | B1214-019-000 | Sprocket ring | | スプロケット リング | 2 |
| 39 | | B1302-051-000 | Sprocket wheel, upper | | ウエ スプロケット | 1 |
| 40 | | SS-8681650-TP | Screw 9/32-28 L=16.0 | | トメネジ 9/32-28 L=16 | 1 |
| 41 | | SS-7681750-TP | Screw 9/32-28 L=16.5 | | マルヒラネジ 9/32-28 L=16.5 | 1 |
| 42 | | B1301-051-000 | Timing belt | | タイミング ベルト | 1 |
| 43 | | B1216-051-0A0 | Main shaft bushing(1), rear asm. | | ウワジク ウシロメタル (1) クミ | 1 |
| 44 | | B1216-051-000 | Main shaft bushing(1), rear | | ウワジク ウシロメタル (1) | (1) |
| 45 | | B1217-051-0A0 | Main shaft bushing(2), rear asm. | | ウワジク ウシロメタル (2) クミ | (1) |
| 46 | | SS-8150710-SP | Screw 15/64-28 L=7.0 | | トメネジ 15/64-28 L=7 | (2) |
| 47 | | B1219-051-000 | Bearing | | ベアリング | (1) |
| 48 | | B1218-051-000 | Rear bearing retaining collar | | ウワジク ウシロベアリング トメ | (1) |
| 49 | | SS-8151350-SP | Screw 15/64-28 L=13.0 | | トメネジ 15/64-28 L=13 | 1 |
| 50 | | B1227-053-000 | Hand wheel | | ハズミグルマ | 1 |
| 51 | | SS-8152030-SP | Screw 15/64-28 L=20.0 | | トメネジ 15/64-28 L=20 | 1 |
| 52 | | SS-8151780-SP | Screw 15/64-28 L=17.0 | | トメネジ 15/64-28 L=17 | 1 |
| 53 | | B1233-012-000 | End screw | 57 | ハズミグルマ オシアゲネジ | 1 |

Note (注記) ◇01 For LU-562 LU-562用
 ◇02 For LU-563 LU-563用

3. SEWING HOOK & SHAFT COMPONENTS

040-051-41124 下軸、釜軸関係
 040-051-40582 Screw

Ref. No. Part No. Description



3. SEWING HOOK & SHAFT COMPONENTS

下軸、釜軸関係

| Ref. No. | Note | Part No. | Description | E.C. | Amt. Req. |
|----------|------|---------------|--|---------|-----------|
| | 注記 | 品番 | | 変更年月 | 数量 |
| 1 | | B1823-051-0A0 | Bobbin case opening lever crank pin asm. | | 1 |
| 2 | | CQ-2020000-00 | Oil wick | | (0.1) |
| 3 | ◇01 | B9117-051-000 | Bobbin | | 1 |
| 4 | ◇01 | B1830-055-0A0 | Vertical-axis sewing hook asm. | | 1 |
| 5 | | B1820-051-000 | Bobbin case opening lever link | | 1 |
| 6 | ◇01 | B1814-051-000 | Hook driving shaft bushing, upper | | 1 |
| 7 | | SS-8151150-SP | Screw 15/64-28 L=10.5 | | 1 |
| 8 | ◇01 | B1822-051-000 | Bobbin case opening lever crank | | 1 |
| 9 | ◇01 | B1824-051-000 | Bobbin case opening lever | | 1 |
| 10 | | WP-0371016-SD | Washer 3.7 x 8.0 x 1.0 | | 1 |
| 11 | | SS-6090620-SP | Screw 9/64-40 L=6.0 | | 1 |
| 12 | | B1821-051-0A0 | Crank screw stud asm. | | 1 |
| 13 | | CQ-2020000-00 | Oil wick | | (0.1) |
| 14 | | NS-6110420-SP | Nut 11/64-40 | | 1 |
| 15 | ◇01 | B1811-051-000 | Hook shaft saddle, right | | 1 |
| 16 | | SS-7762840-SP | Screw 1/4-28 L=28.0 | | 1 |
| 17 | | B1812-051-000 | Washer | D.1/76 | — |
| | | WP-0753016-SZ | Washer 7.5 x 16.0 x 3.0 | A.1/76 | 1 |
| 18 | ◇01 | SS-8150710-SP | Screw 15/64-28 L=7.0 | | 1 |
| 19 | | SS-6153040-SP | Screw 15/64-28 L=30.0 | | 1 |
| 20 | | B1816-051-0A0 | Hook shaft gear, large asm. | C.11/77 | 1 |
| 21 | | B1831-055-000 | Screw | D.3/76 | — |
| | | SS-8660830-TP | Screw 1/4-40 L=8.3 | A.3/76 | (2) |
| 22 | | B1817-051-0A0 | Hook shaft gear, small asm. | C.11/77 | 1 |
| 23 | | SS-8660530-TP | Screw 1/4-40 L=4.5 | | (1) |
| 24 | | SS-8660670-SP | Screw 1/4-40 L=6.1 | | (1) |
| 25 | | B1818-051-B00 | Thrust washer | | 1 |
| 26 | ◇01 | B1815-051-000 | Hook driving shaft bushing, lower | | 1 |
| 27 | | SS-8150710-SP | Screw 15/64-28 L=7.0 | | 1 |
| 28 | | B1802-053-000 | Hook driving shaft bushing, front | | 1 |
| 29 | | SS-8152030-SP | Screw 15/64-28 L=20.0 | | 1 |
| 30 | | B1840-051-0A0 | Feed driving eccentric asm. | | 1 |
| 31 | | SS-8150580-SP | Screw 15/64-28 L=5.0 | | (1) |
| 32 | ◇02 | B9117-563-000 | Bobbin | | 1 |
| 33 | ◇02 | B1830-563-0A0 | Vertical-axis sewing hook asm. | | 1 |
| 34 | ◇02 | SS-8151230-SP | Screw 15/64-28 L=12.0 | | 1 |
| 35 | ◇02 | B1824-563-000 | Bobbin case opening lever | | 1 |
| 36 | ◇02 | B1814-563-000 | Hook driving shaft bushing, upper | | 1 |
| 37 | ◇02 | B1822-563-000 | Bobbin case opening lever crank | | 1 |
| 38 | ◇02 | B1811-563-000 | Hook driving shaft saddle | | 1 |
| 39 | ◇02 | B1815-563-000 | Hook driving shaft bushing, lower | | 1 |
| 40 | ◇02 | B1843-563-000 | Oil adjusting screw | | 1 |
| 41 | ◇02 | NS-6110420-SP | Nut 11/64-40 | | 1 |
| 42 | ◇03 | B1830-563-BA0 | Hook asm., for extreme thick thread | | 1 |
| 43 | | B1804-051-000 | Hook driving shaft bushing, intermediate | | 1 |
| 44 | | SS-8151550-SP | Screw 15/64-28 L=15.0 | | 1 |
| 45 | | B1626-562-000 | Feed eccentric guide | | 1 |
| 46 | | B1636-055-000 | Feed eccentric adjusting knob | | 1 |
| 47 | | B1639-051-000 | Spring | | ↑ |
| 48 | | B1637-055-000 | Sleeve | D.3/76 | — |
| 49 | | RE-0500000-K0 | Snap ring 5.0 | | 1 |
| 50 | | B1624-055-000 | Feed eccentric body spring | | 1 |
| 51 | | B1625-057-0A0 | Retaining collar asm. | | 1 |
| 52 | | SS-8110510-SP | Screw 11/64-40 L=5.0 | | (1) |
| 53 | | SS-8110750-SP | Screw 11/64-40 L=6.5 | | (1) |
| 54 | | B1807-512-000 | Bushing (B), intermediate | | 1 |
| 55 | | B1806-051-000 | Hook driving shaft timing indicator | D.1/77 | — |
| 56 | | SS-7090520-SP | Screw 9/64-40 L=4.5 | D.1/77 | — |
| 57 | | B1801-562-000 | Hook driving shaft | | 1 |
| 58 | | B1807-051-000 | Hook driving shaft bushing(1), rear | | 1 |
| 59 | | SS-8152030-SP | Screw 15/64-28 L=20.0 | | 1 |
| 60 | | B1808-051-0A0 | Hook driving shaft bushing(2), rear asm. | | 1 |
| 61 | | SS-8150750-SP | Screw 15/64-28 L=7.0 | | (2) |
| 62 | | B1219-051-000 | Bearing | | 1 |
| 63 | | B1809-051-000 | Bearing retaining collar | | 1 |
| 64 | | SS-8090530-TP | Screw 9/64-40 L=5.0 | | 3 |

Note (注記) ◇01 For LU-562

◇02 For LU-563

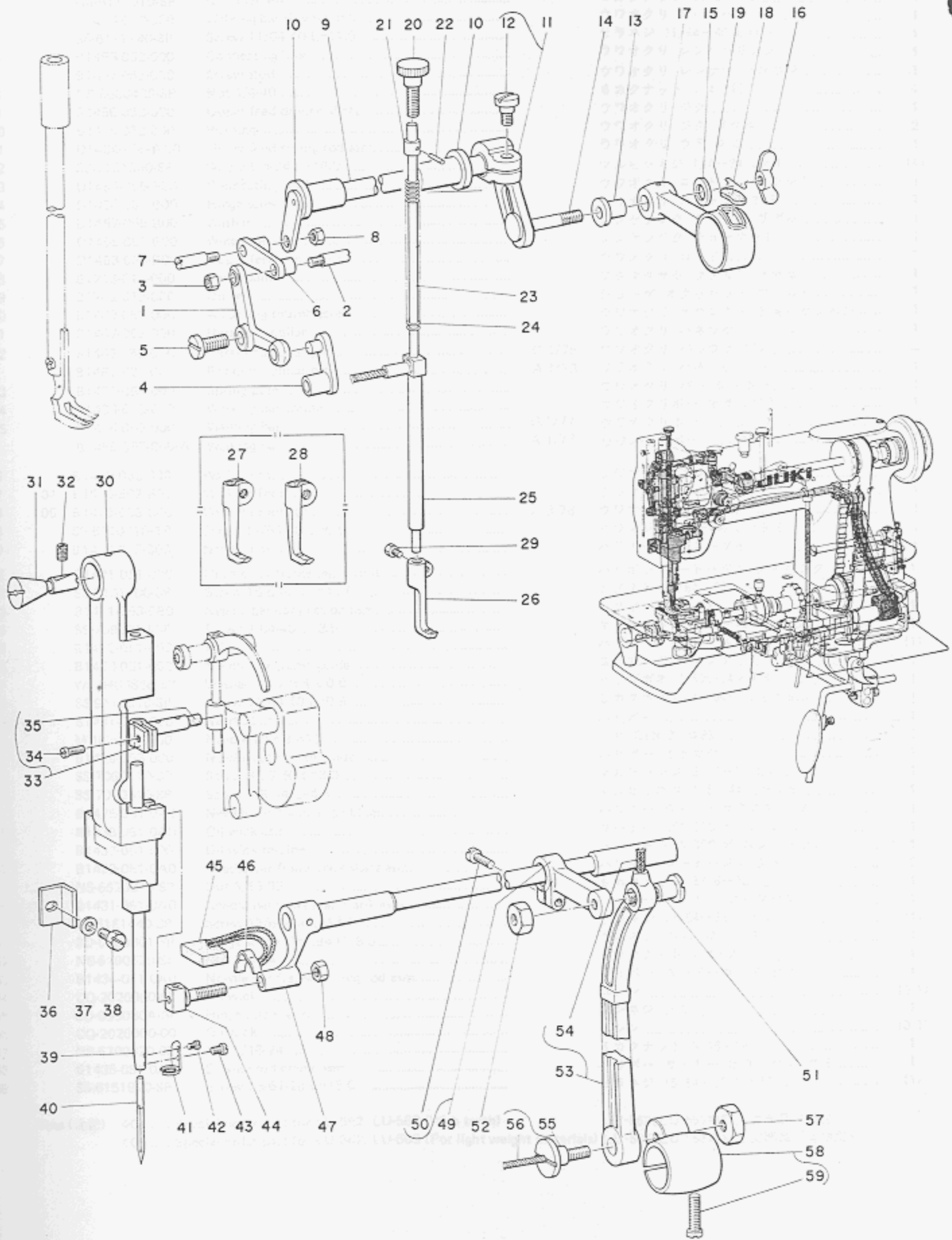
◇03 Special order part for LU563 (For extremely thick thread) LU-563用特別注文部品 (極太糸用)

LU-562用

LU-563用

4. NEEDLE BAR & WALKING FOOT COMPONENTS

針棒、上送り関係



4. NEEDLE BAR & WALKING FOOT COMPONENTS

針棒、上送り関係

5. PRESSER BAR & FEED ROCK SHAFT COMPONENTS

押工棒、上送り関係

| Ref. No. | Note | Part No. | Description | E.C. | 品名 | Amt. Req. |
|----------|------|----------------------------|-------------------------------------|--------|-----------------------|-----------|
| | 注記 | 品番 | | 変更年月 | | 数量 |
| 1 | | B1459-053-00A | L shaped link | | Lガタ リンク | 1 |
| 2 | | B1459-053-00B | L shaped link connecting screw stud | | Lガタ リンク ジク | 1 |
| 3 | | NS-6110310-SP | Nut 11/64-40 | | 6カクナット 11/64-40 | 1 |
| 4 | | B1465-053-000 | Walking bar driving link | | ウワオクリ ヨードーリンク | 1 |
| 5 | | SS-6111140-SP | Screw 11/64-40 L=11.0 | | ヒラネジ 11/64-40 L=11 | 1 |
| 6 | | B1458-053-000 | Connecting link | | ウワオクリ レンケツリンク | 1 |
| 7 | | B1457-055-000 | Screw stud | | ウワオクリ レンケツ ダンネジ | 1 |
| 8 | | NS-6660430-SP | Nut 1/4-40 | | 6カクナット 1/4-40 | 1 |
| 9 | | B1456-053-000 | Upper feed driving shaft | | ウワオクリ ジク | 1 |
| 10 | | B1455-053-000 | Bushing | | ウワオクリ ジク メタル | 2 |
| 11 | | D1454-055-BA0 | Upper feed spring rod asm. | | ウワオクリ ウデ クミ | 1 |
| 12 | | SS-7161640-SP | Screw 1/4-24 L=16.0 | | マルヒラネジ 1/4-24 L=16 | (1) |
| 13 | | D1455-055-B00 | Connecting stud | | ウワオクリ ロッド レンケツジク | 1 |
| 14 | | D1456-055-B00 | Hinge screw | | ウワオクリ ロッドダンネジ | 1 |
| 15 | | D1457-055-B00 | Washer | | レンケツジク ダンネジ ザガネ | 1 |
| 16 | | D1458-055-B00 | Wing screw | | レンケツジク チョーナット | 1 |
| 17 | | D1453-055-B00 | Upper feed driving rod | | ウワオクリ ロッド | 1 |
| 18 | | B1213-012-000 | Felt retainer | | フタマタサヤ フェルト オサエ | 1 |
| 19 | | B1702-012-000 | Oil felt | | ジョーグ オクリロッド フェルト | 1 |
| 20 | | B1469-053-000 | Adjusting thumb screw | | ウワオクリ オサエポー チョーセツネジ | 1 |
| 21 | | B1467-053-00B | Retaining collar | | ウワオクリ バネウケ | 1 |
| 22 | | B1467-053-00C | Retaining collar pin | D.1/78 | ウワオクリ バネウケ ピン | — |
| | | B1467-521-00C | Retaining collar pin | A.1/78 | ウワオクリ バネウケ ピン | 1 |
| 23 | | B1467-053-00A | Spring pole | | ウワオクリ バネ シジポー | 1 |
| 24 | | B1468-053-000 | Walking bar spring | | ウワオクリポー オサエバネ | 1 |
| 25 | | B1466-053-000 | Walking bar | D.1/77 | ウワオクリポー | — |
| | | B1466-053-000-A | Walking bar | A.1/77 | ウワオクリポー | 1 |
| 26 | | B1470-053-000 | Walking foot | | ウワオクリ アシ | 1 |
| 27 | 04 | B1470-562-B00 | Walking foot | | ウワオクリ アシ | 1 |
| 28 | 05 | B1470-053-C00 | Walking foot (C) | A.3/76 | ウワオクリアシ C | 1 |
| 29 | | SS-6110710-TP | Screw 11/64-40 L=6.5 | | ヒラネジ 11/64-40 L=6.5 | 1 |
| 30 | | B1420-053-000 | Needle bar frame | | ハリポー ヨードーダイ | 1 |
| 31 | | B1421-051-000 | Needle bar frame taper stud | | ハリポー ヨードーダイ テーパジク | 1 |
| 32 | | SS-8151160-SP | Screw 15/64-28 L=11.0 | | トメネジ 15/64-28 L=11 | 1 |
| 33 | | B1411-053-0B0 | Needle bar connection asm. | | ハリポーダキ クミ | 1 |
| 34 | | SS-7090910-SP | Screw 9/64-40 L=8.5 | | マルヒラネジ 9/64-40 L=8.5 | (1) |
| 35 | | B1412-051-000 | Felt | | ハリポーダキ フェルト | (1) |
| 36 | | B1423-051-000 | Needle bar frame guide | | ヨードーダイ アンナイ | 1 |
| 37 | | WP ₀ 0480856-SP | Washer 4.8 x 8.4 x 0.8 | | ヒラザガネ 4.8x8.4x0.8 | 1 |
| 38 | | SS-9111010-SP | Screw 11/64-40 L=9.5 | | 6カクボルト 11/64-40 L=9.5 | 1 |
| 39 | | B1401-053-000 | Needle bar | | ハリポー | 1 |
| 40 | | MDi-300B2300 | Needle DI x 3 #23 | | ハリ DI x 3 #23 | 1 |
| 41 | | B1419-053-000 | Needle bar thread guide | | ハリポー イトカケ | 1 |
| 42 | | SS-7060310-SP | Screw 3/32-56 L=3.0 | | マルヒラネジ 3/32-56 L=3 | 1 |
| 43 | | SS-7080510-SP | Screw 1/8-44 L=4.5 | | マルヒラネジ 1/8-44 L=4.5 | 1 |
| 44 | | B1425-051-0A0 | Needle bar frame slide block | | ハリポー ヨードーカクゴマ クミ | 1 |
| 45 | | B1438-051-0A0 | Oil wick asm. | | ヨードー ゼンブウデ ユシン クミ | 1 |
| 46 | | B1437-051-000 | Oil wick retainer | | ヨードー ゼンブウデ ユシンササエ | 1 |
| 47 | | B1429-051-0A0 | Needle bar frame rock shaft asm. | | ハリポー ヨードージク クミ | 1 |
| 48 | | NS-6620310-SP | Nut 3/16-32 | | 6カクナット 3/16-32 | 1 |
| 49 | | B1431-051-0A0 | Needle bar shaft rear crank asm. | | ハリポー ヨードー コーブウデ クミ | 1 |
| 50 | | SS-6151440-SP | Screw 15/64-28 L=14.0 | | ヒラネジ 15/64-28 L=14 | (1) |
| 51 | | SD-0790801-SP | Hinge screw D=7.94 H=8.0 | | ダンネジ D=7.94 H=8 | 1 |
| 52 | | NS-6160520-SP | Nut 1/4-24 | | 6カクナット 1/4-24 | 1 |
| 53 | | B1434-051-0A0 | Needle bar frame driving rod asm. | | ハリポー ヨードーロッド クミ | 1 |
| 54 | | CQ-2020000-00 | Oil wick | | ユシン | (0.1) |
| 55 | | SD-095080A-SP | Hinge screw asm. | | ダンネジ クミ | 1 |
| 56 | | CQ-2020000-00 | Oil wick | | ユシン | (0.1) |
| 57 | | NS-6700420-SP | Nut 5/16-24 | | 6カクナット 5/16-24 | 1 |
| 58 | | B1435-051-0A0 | Driving rod crank asm. | | ハリポー ヨードー オクリウデ クミ | 1 |
| 59 | | SS-6151920-SP | Screw 15/64-28 L=19.0 | | ヒラネジ 15/64-28 L=19 | (1) |

Note (注記) 04 Special order part for LU-562, LU-563 (With teeth)

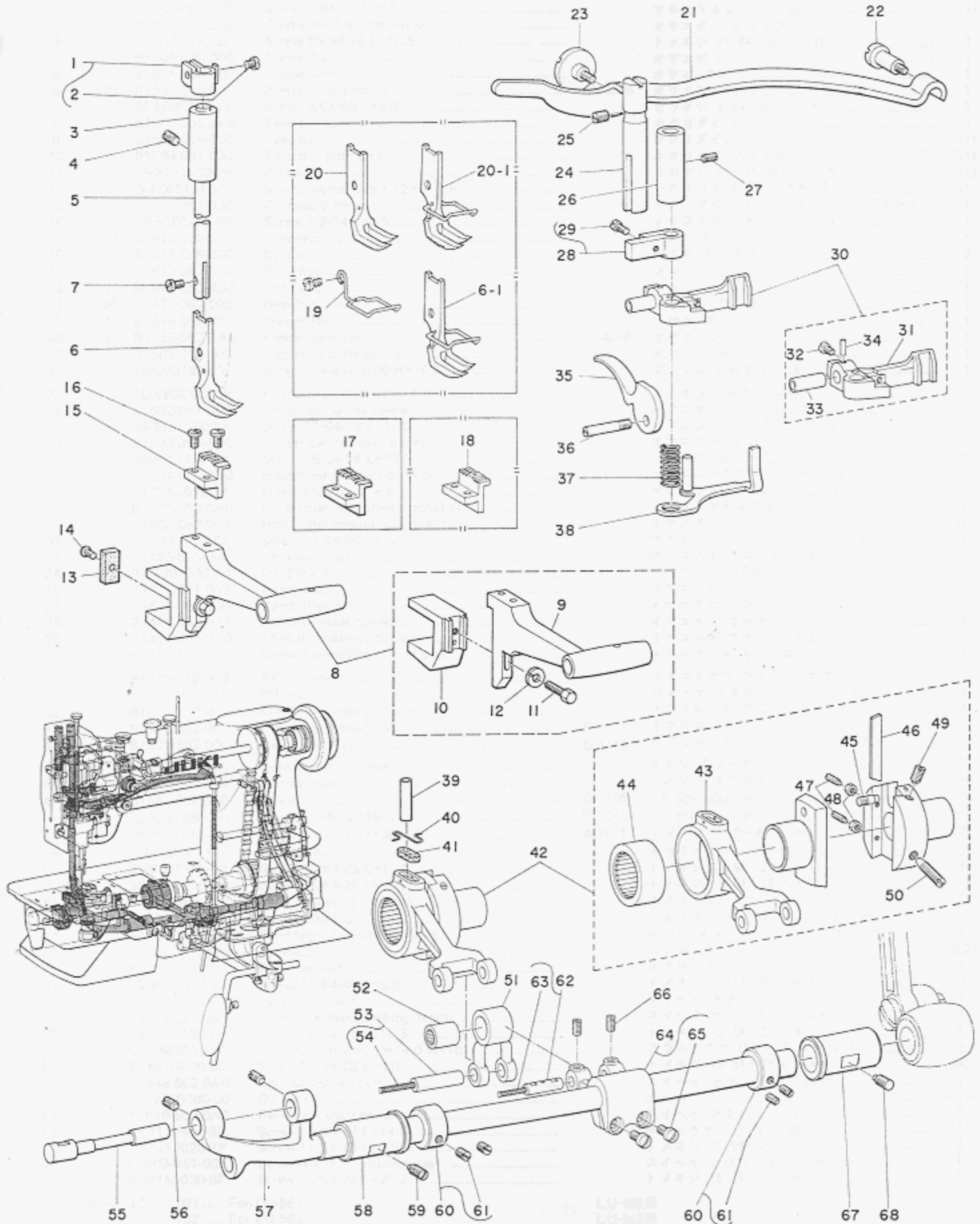
LU-562、LU-563特別注文部品 (歯付)

05 Special order part for LU-562, LU-563 (For light weight materials)

LU-562、LU-563特別注文部品 (薄物用)

5. PRESSER BAR & FEED ROCK SHAFT COMPONENTS

押工棒、水平軸関係



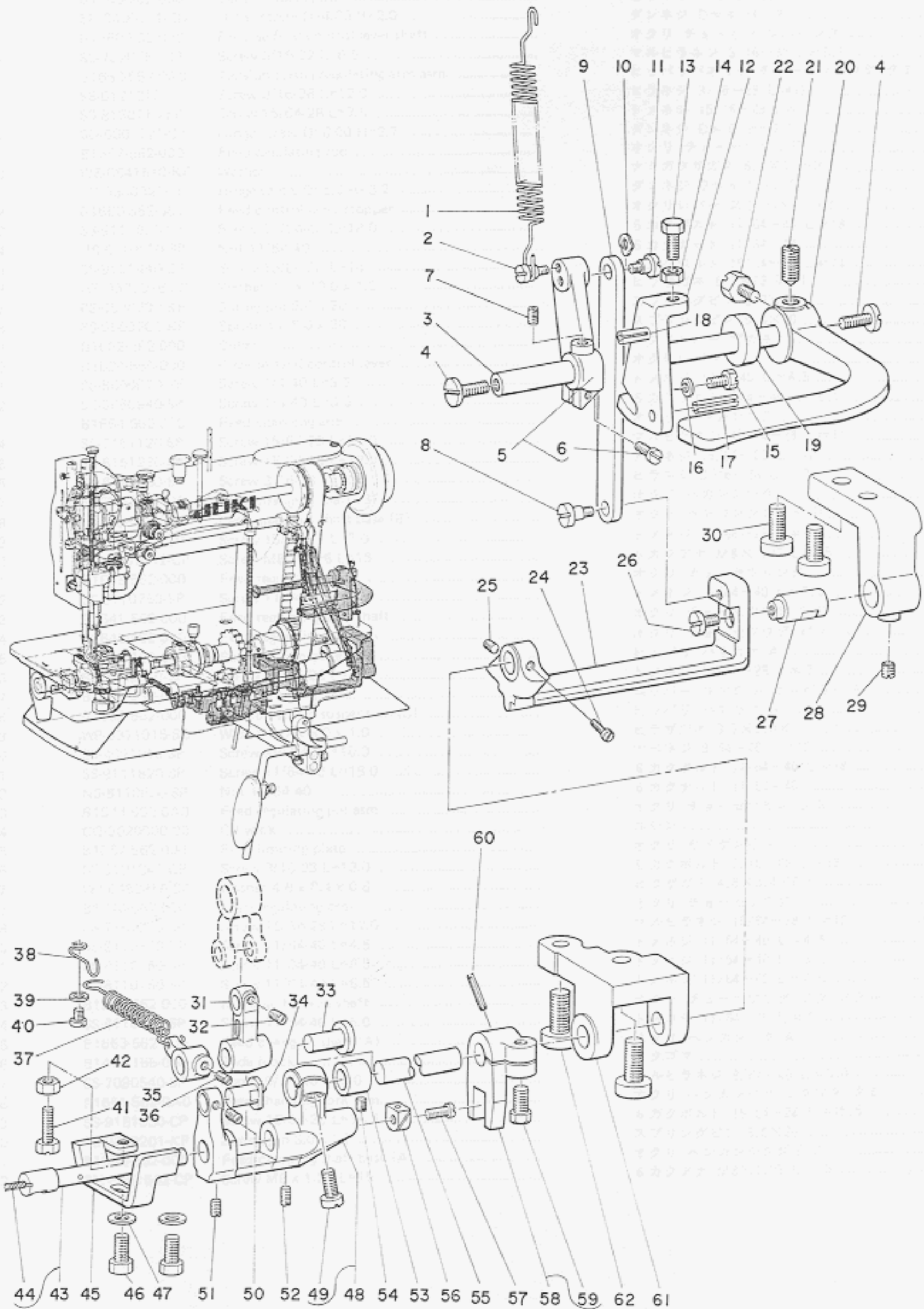
04 Special order LU-563 (with teeth)
 06 Special order LU-563
 07 Special order LU-563 For light weight material

5. PRESSER BAR & FEED ROCK SHAFT COMPONENTS

押工棒、水平軸関係

| Ref. No. | Note | Part No. | Description | E.C. | 品名 | Amt. Req. |
|----------|------|---------------|-----------------------------------|---------|------------------------|-----------|
| | 注記 | 品番 | | 変更年月 | | 数量 |
| 1 | | B1507-051-0A0 | Presser bar guide bracket | | オサエボーダキ クミ | 1 |
| 2 | | SS-7090910-SP | Screw 9/64-40 L=8.5 | | マルヒラネジ 9/64-40 L=8.5 | (1) |
| 3 | | B1503-051-B00 | Presser bar bushing, lower | | オサエボー シタメタル 2 | 1 |
| 4 | | SS-8151150-SP | Screw 15/64-28 L=10.5 | | トメネジ 15/64-28 L=10.5 | 1 |
| 5 | | B1501-040-000 | Presser bar | | オサエボー | 1 |
| 6 | | B1525-053-000 | Presser foot | | オサエ アシ | 1 |
| 6-1 | ◊06 | B1525-053-0A0 | Presser foot asm. | A.4/76 | オサエアシ クミ | 1 |
| 7 | | SS-6090910-TP | Screw 9/64-40 L=9.0 | | ヒラネジ 9/64-40 L=9 | 1 |
| 8 | | B1602-055-0A0 | Feed bar asm. | | オクリダイ クミ | 1 |
| 9 | | B1602-055-000 | Feed bar | | オクリダイ | (1) |
| 10 | | B1604-051-000 | Feed bar slide fork | | オクリダイ フタマタ | (1) |
| 11 | | SS-9151440-CP | Screw | | 6 カクボルト 15/64-28 L=14 | (1) |
| 12 | | WS-0651510-KP | Spring washer 6.5 x 12.5 x 1.5 | | バネザガネ 6.5x12.5x1.5 | (1) |
| 13 | | B1605-051-000 | Oil supply felt | | オクリダイ フタマタ アブラダメフェルト | 1 |
| 14 | | SS-5080710-SP | Screw 1/8-44 L=6.5 | | トラスネジ 1/8-44 L=6.5 | 1 |
| 15 | ◊01 | B1613-053-000 | Feed dog | | オクリバ | 1 |
| 16 | | B1611-055-000 | Screw | | オクリ トメネジ | 2 |
| 17 | ◊02 | B1613-563-000 | Feed dog | | オクリバ | 1 |
| 18 | ◊07 | B1613-563-B00 | Feed dog | | オクリバ | 1 |
| 19 | ◊06 | B1471-562-000 | Needle guard | | ハリボー アンゼンカバー | 1 |
| 20 | ◊04 | B1525-562-B00 | Presser foot | | オサエ アシ | 1 |
| 20-1 | ◊06 | B1525-562-BA0 | Presser foot asm. | A.4/76 | オサエアシ クミ | 1 |
| 21 | | B1505-053-000 | Adjusting plate spring | | オサエ チョーセット イタバネ | 1 |
| 22 | | SD-0801601-SP | Hinge screw D=8.00 H=16.0 | | ダンネジ D=8 H=16 | 1 |
| 23 | | SD-0800481-SP | Hinge screw D=8.00 H=4.9 | | ダンネジ D=8 H=4.9 | 1 |
| 24 | | B1502-051-000 | Presser bar guide sleeve | | オサエボー アンナイツツ | 1 |
| 25 | | SS-8151150-SP | Screw 15/64-28 L=10.5 | | トメネジ 15/64-28 L=10.5 | 1 |
| 26 | | B1503-051-A00 | Presser bar bushing, upper | | オサエボー ウワメタル 1 | 1 |
| 27 | | SS-8151150-SP | Screw 15/64-28 L=10.5 | | トメネジ 15/64-28 L=10.5 | 1 |
| 28 | | B1504-051-0A0 | Presser bar connection asm. | | オサエボーダキ アンナイ クミ | 1 |
| 29 | | SS-7090910-SP | Screw 9/64-40 L=8.5 | | マルヒラネジ 9/64-40 L=8.5 | (1) |
| 30 | | B1460-053-0A0 | Hand lifter mounting bracket asm. | | オサエアゲテコダイ クミ | 1 |
| 31 | | B1460-053-00A | Hand lifter mounting bracket | | オサエアゲ テコダイ | (1) |
| 32 | | SS-7111310-SP | Screw 11/64-40 L=12.8 | | マルヒラネジ 11/64-40 L=12.8 | (1) |
| 33 | | B1460-053-00B | Connecting pin | | オサエアゲ テコダイ ジク | (1) |
| 34 | | PT-0201200-S0 | Pin 2.0 x 12 | | テーパピン 2.0x12 | (1) |
| 35 | | B1512-051-000 | Hand lifter | | オサエアゲ | 1 |
| 36 | | B1515-051-000 | Hand lifter pin | | オサエアゲ ジク | 1 |
| 37 | | B1462-053-000 | Thread release spring | | イトユルメ ウケイタ バネ | 1 |
| 38 | | B1461-053-0A0 | Thread release guide asm. | | イトユルメ ウケイタ クミ | 1 |
| 39 | | B1158-562-000 | Crank connecting rod oil pipe | | オクリロッド キューユ バイブ | 1 |
| 40 | | B1213-012-000 | Felt retainer | | フタマタサヤ フェルト オサエ | 1 |
| 41 | | B1702-012-000 | Oil felt | | ジョーゲ オクリロッド フェルト | 1 |
| 42 | | B1614-562-0B0 | Crank connecting rod asm. | | オクリロッド クミ | 1 |
| 43 | | B1614-562-000 | Crank connecting rod | D.1/77 | オクリロッド | - |
| 44 | | B1627-562-000 | Needle bearing | D.1/77 | オクリロッド ニードル ベアリング | - |
| 45 | | B1623-057-000 | Feed adjusting screw | | オクリ チョーセット リードカム ピン | (1) |
| 46 | | B1622-057-000 | Friction plate | | オクリ チョーセット カミソリ | (1) |
| 47 | | B1642-057-000 | Screw | D.1/76 | SS-8081050-TH | - |
| | | SS-8081050-TH | Screw 1/8-44 L=10 | D.10/77 | SS-8081210-TH | - |
| | | SS-8081210-TH | Screw 1/8-44 L=11.5 | A.10/77 | トメネジ 1/8-44 L=11.5 | (2) |
| 48 | | NS-6080210-SP | Nut 1/8-44 | | 6 カクナット 1/8-44 | (2) |
| 49 | | SS-8151780-SP | Screw 15/64-28 L=17.0 | | トメネジ 15/64-28 L=17 | (1) |
| 50 | | SS-8151770-SP | Screw 15/64-28 L=17.0 | | トメネジ 15/64-28 L=17 | (1) |
| 51 | | B1647-562-000 | Feed regulating fork link | | オクリ チョーセット フタマタリンク | 1 |
| 52 | | B1664-562-000 | Needle bearing | | フタマタリンク ニードル ジクウケ | 1 |
| 53 | | B1646-562-0A0 | Feed regulating link pin asm. | | オクリ チョーセットリンク ジク クミ | 1 |
| 54 | | CQ-2020000-00 | Oil wick | | ユシン | (0.2) |
| 55 | | B1603-051-000 | Feed bar shaft | | オクリダイ ジク | 1 |
| 56 | | SS-8110510-SP | Screw 11/64-40 L=5.0 | | トメネジ 11/64-40 L=5 | 2 |
| 57 | | B1601-562-000 | Feed rock shaft | | スイヘイ オクリジク | 1 |
| 58 | | B1607-051-000 | Feed rock shaft bushing, front | | スイヘイ オクリジク マエメタル | 1 |
| 59 | | SS-8151150-SP | Screw 15/64-28 L=10.5 | | トメネジ 15/64-28 L=10.5 | 1 |
| 60 | | CS-1401010-SC | Thrust collar asm. D=14.0 W=10 | | スラストウケ D=14.0 W=10 クミ | 2 |
| 61 | | SS-8150410-SP | Screw 15/64-28 L=4.0 | | トメネジ 15/64-28 L=4 | (4) |
| 62 | | B1648-562-0A0 | Connecting pin asm. | | スイヘイ オクリウデ ジク クミ | 1 |
| 63 | | CQ-2020000-00 | Oil wick | | ユシン | (0.1) |
| 64 | | B1616-562-0A0 | Feed rock shaft crank asm. | | スイヘイ オクリウデ クミ | 1 |
| 65 | | SS-7111410-SP | Screw 11/64-40 L=14.0 | | マルヒラネジ 11/64-40 L=14 | (2) |
| 66 | | SS-8110520-TP | Screw 11/64-40 L=4.5 | | トメネジ 11/64-40 L=4.5 | 2 |
| 67 | | B1609-051-000 | Feed rock shaft bushing, rear | | スイヘイ オクリジク ウシロメタル | 1 |
| 68 | | SS-8152030-SP | Screw 15/64-28 L=20.0 | | トメネジ 15/64-28 L=20 | 1 |

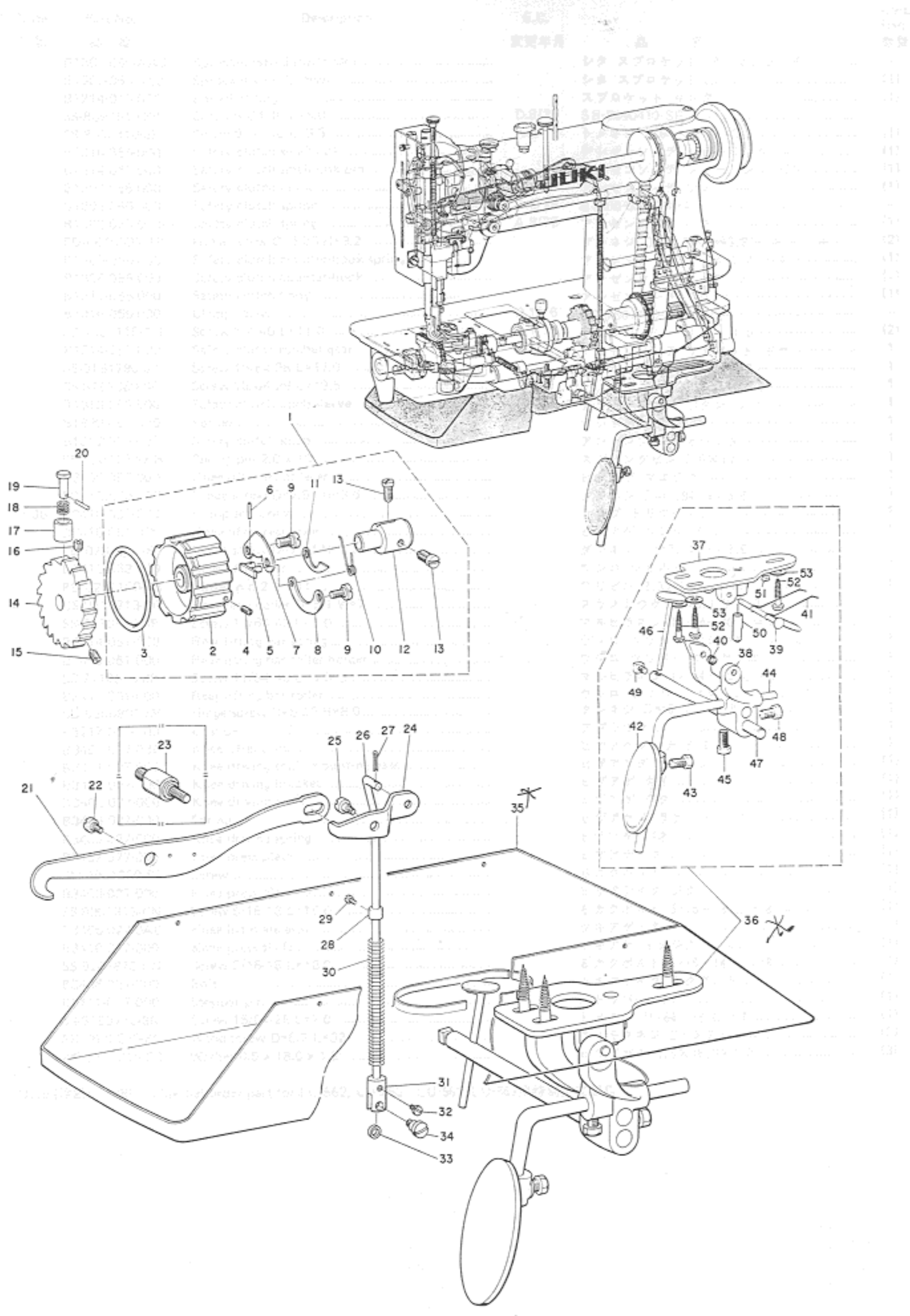
Note (注記) ◊01 For LU-562 LU-562用
 ◊02 For LU-563 LU-563用
 ◊04 Special order part for LU-562, LU-563 (With teeth) LU-562、LU-563用特別注文部品 (歯付)
 ◊06 Special order part for LU-562, LU-563 LU-562、LU-563用特別注文部品
 ◊07 Special order part for LU-563 (For light weight materials) LU-563用特別注文部品 (薄物用)



6. REVERSE FEED CONTROL LEVER COMPONENTS

送りレバー関係

| Ref. No. | Note | Part No. | Description | E.C. | 品名 | Amt. Req. |
|----------|------|---------------|---|------|-------------------------------|-----------|
| | 注記 | 品番 | | 変更年月 | | 数量 |
| 1 | | B1666-562-000 | Tension spring (B) | | ヒッバリ バネ B | 1 |
| 2 | | SD-0400201-SD | Hinge screw D=4.00 H=2.0 | | ダンネジ D=4 H=2 | 1 |
| 3 | | B1660-562-000 | Reverse feed control lever shaft | | オクリ チョーセツ レバージク | 1 |
| 4 | | SS-7620750-SP | Screw 3/16-32 L=6.5 | | マルヒラネジ 3/16-32 L=6.5 | 2 |
| 5 | | B1658-562-0A0 | Tension spring regulating arm asm. | | ヒッバリバネカケ チョーセツキウデ クミ ... | 1 |
| 6 | | SS-6121210-SP | Screw 3/16-28 L=12.0 | | ヒラネジ 3/16-28 L=12 | (1) |
| 7 | | SS-8150710-SP | Screw 15/64-28 L=7.0 | | トメネジ 15/64-28 L=7 | 1 |
| 8 | | SD-0600271-SP | Hinge screw D=6.00 H=2.7 | | ダンネジ D=6 H=2.7 | 1 |
| 9 | | B1657-562-000 | Feed regulating rod | | オクリ チョーセツロッド | 1 |
| 10 | | WZ-0641510-KP | Washer | | ナミガタザガネ 6.4×11.0×0.3 | 1 |
| 11 | | SD-0600321-SP | Hinge screw D=6.0 H=3.2 | | ダンネジ D=6 H=3.2 | 1 |
| 12 | | B1663-562-000 | Feed control lever stopper | | オクリレバー ストッパー イタ | 1 |
| 13 | | SS-9111820-SP | Screw 11/64-40 L=18.0 | | 6 カクボルト 11/64-40 L=18 | 1 |
| 14 | | NS-6110530-SP | Nut 11/64-40 | | 6 カクナット 11/64-40 | 1 |
| 15 | | SS-9151440-CP | Screw 15/64-28 L=14 | | 6 カクボルト 15/64-28 L=14 | 1 |
| 16 | | WP-0621016-SD | Washer 6.2 x 13.0 x 1.0 | | ヒラザガネ 6.2×13.0×1 | 1 |
| 17 | | PS-0500202-KP | Spring pin 5.0 x 20 | | スプリングピン 5.0×20 | 1 |
| 18 | | PS-0500202-KP | Spring pin 5.0 x 20 | | スプリングピン 5.0×20 | 1 |
| 19 | | B1662-562-000 | Collar | | オクリレバー ザガネ | 1 |
| 20 | | B1624-555-000 | Reverse feed control lever | | オクリレバー | 1 |
| 21 | | SS-8660970-TP | Screw 1/4-40 L=8.5 | | トメネジ 1/4-40 L=8.5 | 1 |
| 22 | | SS-9660940-SP | Screw 1/4-40 L=8.5 | | 6 カクボルト 1/4-40 L=8.5 | 1 |
| 23 | | B1654-562-000 | Feed changing arm | | オクリ ヘンカンウデ | 1 |
| 24 | | SS-7151120-SP | Screw 15/64-28 L=11.0 | | マルヒラネジ 15/64-28 L=11 | 1 |
| 25 | | SS-8151280-SP | Screw 15/64-28 L=12.0 | | トメネジ 15/64-28 L=12 | 1 |
| 26 | | SS-6121030-SP | Screw 3/16-28 L=10.0 | | ヒラネジ 3/16-28 L=10 | 1 |
| 27 | | B1656-562-000 | Feed changing shaft (B) | | オクリ ヘカンジク B | 1 |
| 28 | | B1655-562-000 | Feed changing shaft base (B) | | オクリ ヘンカンジクダイ B | 1 |
| 29 | | SS-8150710-SP | Screw 15/64-28 L=7.0 | | トメネジ 15/64-28 L=7 | 1 |
| 30 | | SM-6081542-CP | Screw M8 x 1.25 L=15 | | 6 カクアナ M8×1.25 L=15 | 2 |
| 31 | | B1645-562-000 | Feed regulating link | | オクリ チョーセツリンク | 1 |
| 32 | | SS-8110750-SP | Screw 11/64-40 L=6.5 | | トメネジ 11/64-40 L=6.5 | 1 |
| 33 | | B1641-562-000 | Feed regulating arm shaft | | オクリ チョーセツウデ ジク | 1 |
| 34 | | B1642-562-000 | Feed regulating arm pin | | オクリ チョーセツウデ ピン | 1 |
| 35 | | B1647-122-000 | Suspension bracket (A) | | ヒッバリ バネカケ A | 1 |
| 36 | | SS-8150710-SP | Screw 15/64-28 L=7.0 | | トメネジ 15/64-28 L=7 | 1 |
| 37 | | B2007-232-000 | Tension spring | | ニッパ リンク A ヒッバリバネ | 1 |
| 38 | | B1659-562-000 | Tension spring suspension (B) | | ヒッバリ バネカケ B | 1 |
| 39 | | WP-0371016-SD | Washer 3.7 x 8.0 x 1.0 | | ヒラザガネ 3.7×8.0×1 | 1 |
| 40 | | SS-4091010-SP | Screw 9/64-40 L=10.0 | | ナベネジ 9/64-40 L=10 | 1 |
| 41 | | SS-9111820-SP | Screw 11/64-40 L=18.0 | | 6 カクボルト 11/64-40 L=18 | 1 |
| 42 | | NS-6110530-SP | Nut 11/64-40 | | 6 カクナット 11/64-40 | 1 |
| 43 | | B1644-562-0A0 | Feed regulating pin asm. | | オクリ チョーセツピン クミ | 1 |
| 44 | | CQ-2020000-00 | Oil wick | | ユシン | (0.1) |
| 45 | | B1667-562-000 | Feed limiting plate | | オクリ セイゲンイタ | 1 |
| 46 | | SS-9121340-CP | Screw 3/16-28 L=13.0 | | 6 カクボルト 3/16-28 L=13 | 2 |
| 47 | | WP-0480856-SP | Washer 4.8 x 8.4 x 0.8 | | ヒラザガネ 4.8×8.4×0.8 | 2 |
| 48 | | B1640-562-000 | Feed regulating arm | | オクリ チョーセツウデ | 1 |
| 49 | | SS-7151210-SP | Screw 15/64-28 L=12.0 | | マルヒラネジ 15/64-28 L=12 | 1 |
| 50 | | SS-8110520-TP | Screw 11/64-40 L=4.5 | | トメネジ 11/64-40 L=4.5 | 1 |
| 51 | | SS-8110750-SP | Screw 11/64-40 L=6.5 | | トメネジ 11/64-40 L=6.5 | 1 |
| 52 | | SS-8110750-SP | Screw 11/64-40 L=6.5 | | トメネジ 11/64-40 L=6.5 | 1 |
| 53 | | B1643-562-000 | Bushing, for arm shaft | | オクリ チョーセツウデ ジク メタル | 1 |
| 54 | | SS-8110510-SP | Screw 11/64-40 L=5.0 | | トメネジ 11/64-40 L=5 | 1 |
| 55 | | B1653-562-000 | Feed changing shaft (A) | | オクリ ヘンカンジク A | 1 |
| 56 | | B1414-155-000 | Slide block | | カクゴマ | 1 |
| 57 | | SS-7090540-SP | Screw 9/64-40 L=5.0 | | マルヒラネジ 9/64-40 L=5.0 | 1 |
| 58 | | B1651-562-0A0 | Feed changing fork asm. | | オクリ ヘンカンジク フタマタ クミ | 1 |
| 59 | | SS-9151630-CP | Screw 15/64-28 L=15.5 | | 6 カクボルト 15/64-28 L=15.5 | (1) |
| 60 | | PS-0300201-KP | Spring pin 3.0 x 20 | | スプリングピン 3.0×20 | 1 |
| 61 | | B1652-562-000 | Feed changing shaft base (A) | | オクリ ヘンカンジクダイ A | 1 |
| 62 | | SM-6081542-CP | Screw M8 x 1.25 L=15 | | 6 カクアナ M8×1.25 L=15 | 2 |

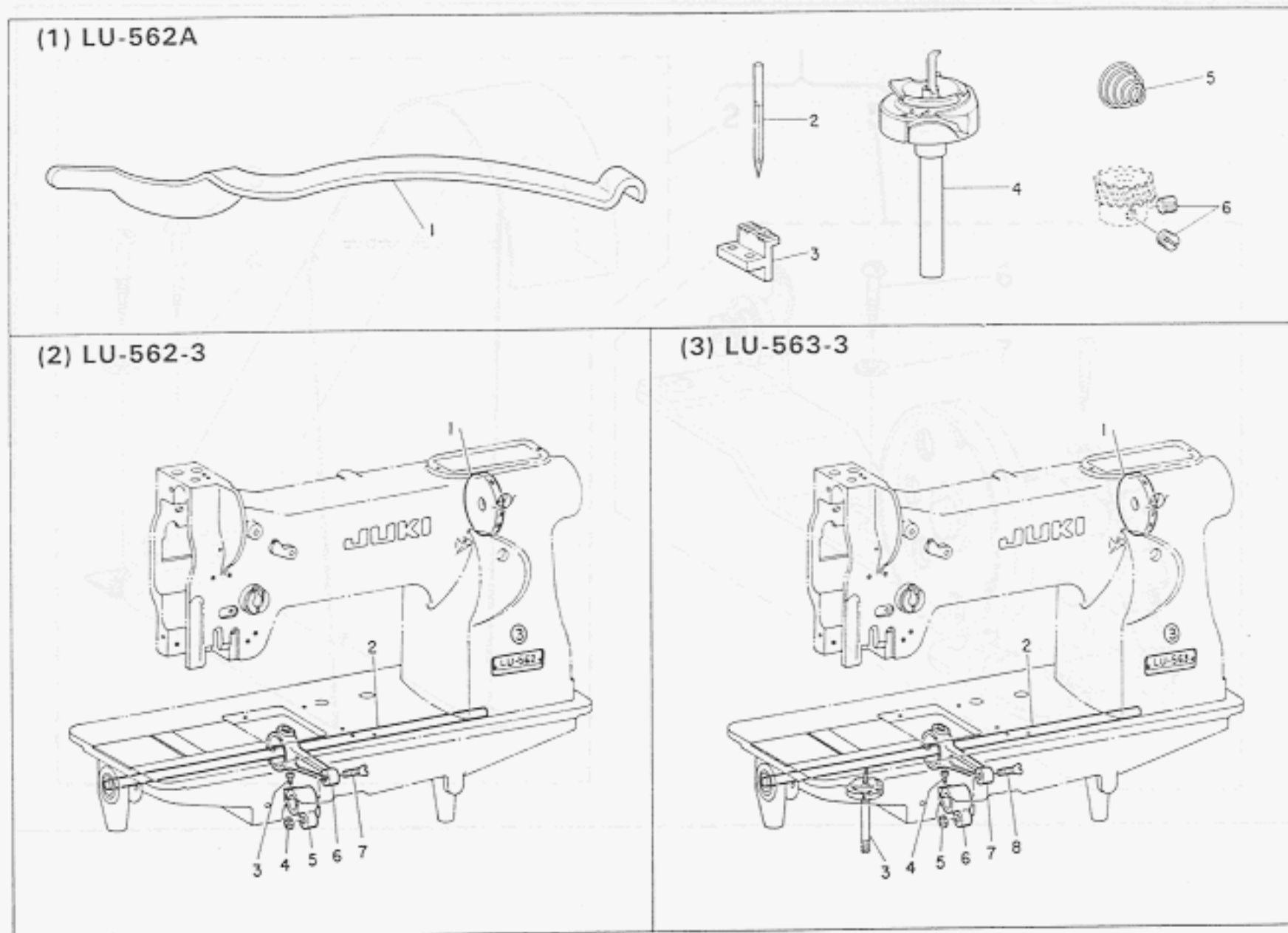


7. SAFETY CLUTCH MECHANISM, KNEE LIFTER COMPONENTS

安全装置、膝上ゲ関係

| Ref. No. | Note | Part No. | Description | E.C. | 品名 | Amt. Req. |
|----------|------|-----------------|---|--------|----------------------------|-----------|
| | 注記 | 品番 | | 変更年月 | | 数量 |
| 1 | | B1303-055-AA0 | Sprocket wheel lower asm. | | シタ スプロケット アンゼンソーチ | 1 |
| 2 | | B1303-055-A00 | Sprocket wheel, lower | | シタ スプロケット | (1) |
| 3 | | B1214-019-000 | Sprocket ring | | スプロケット リング | (1) |
| 4 | | SS-8090540-SP | Screw 9/64-40 L=5.0 | D.8/75 | SS-8090410-SP | - |
| | | SS-8090410-SP | Screw 9/64-40 L=3.5 | A.8/75 | トメネジ 9/64-40 L=3.5 | (1) |
| 5 | | B1310-055-000 | Safety clutch small link | | アンゼンソーチ ショーリンク | (1) |
| 6 | | B1314-055-000 | Safety clutch small link pin | | アンゼンソーチ ショーリンク ピン | (1) |
| 7 | | B1307-055-000 | Safety clutch hook | | アンゼンソーチ ツメ | (1) |
| 8 | | B1305-055-000 | Safety clutch spring | D.8/75 | B1305-055-000-A | - |
| | | B1305-055-000-A | Safety clutch spring | A.8/75 | アンゼンソーチ バネ | (1) |
| 9 | | SD-0640322-TP | Hinge screw D=6.35 H=3.2 | | ダンネジ D=6.35 H=3.2 | (2) |
| 10 | | B1309-055-000 | Safety clutch counter-hook spring | | アンゼンソーチ ギャクツメ バネ | (1) |
| 11 | | B1308-055-000 | Safety clutch counter-hook | | アンゼンソーチ ギャク ツメ | (1) |
| 12 | | B1311-055-000 | Safety clutch body | | アンゼンソーチ ウケ | (1) |
| 13 | | B1316-055-000 | Clamp screw | D.1/76 | SS-7661110-TH | - |
| | | SS-7661110-TH | Screw 1/4-40 L=11.0 | A.1/76 | トメネジ 1/4-40 L=11.0 | (2) |
| 14 | | B1314-057-000 | Safety clutch ratchet gear | | アンゼンソーチ ラチェット ギヤー | 1 |
| 15 | | SS-8151780-SP | Screw 15/64-28 L=17.0 | | トメネジ 15/64-28 L=17 | 1 |
| 16 | | SS-8152080-SP | Screw 15/64-28 L=19.5 | | トメネジ 15/64-28 L=19.5 | 1 |
| 17 | | B1313-055-000 | Safety clutch knob sleeve | | アンゼンソーチ ボタン ツツ | 1 |
| 18 | | B1639-051-000 | Spring | | オシボタン バネ | 1 |
| 19 | | B1312-055-000 | Safety clutch knob | | アンゼンソーチ オシボタン | 1 |
| 20 | | PS-0200102-KH | Spring pin 2.0 x 10 | | スプリングピン 2.0x10 | 1 |
| 21 | | B3409-053-000 | Knee lifter front lever | | ヒザアゲ マエテコ | 1 |
| 22 | | SD-0790361-SP | Hinge screw D=7.94 H=3.6 | | ダンネジ D=7.94 H=3.6 | 1 |
| 23 | ◊06 | B3418-562-000 | Lump set screw | | ランプ トリツケネジ | 1 |
| 24 | | B3410-051-000 | Knee lifter rear lever | | ヒザアゲ ウシロ テコ | 1 |
| 25 | | SD-0790361-SP | Hinge screw D=7.94 H=3.6 | | ダンネジ D=7.94 H=3.6 | 1 |
| 26 | | B3413-053-000 | Rear lifting bar | | ウシロ ツリポー | 1 |
| 27 | | PD-0231100-08 | Cotter pin 2.3 x 11 | | ワリピン 2.3x11 | 1 |
| 28 | | CS-0510713-SC | Retaining collar D=5.1 W=7 | | スラストウケ D=5.1 W=7 | 1 |
| 29 | | SS-7110540-SP | Screw 11/64-40 L=5.0 | | マルヒラネジ 11/64-40 L=5 | 1 |
| 30 | | B3414-051-000 | Rear lifting bar spring | | ウシロ ツリポー オシバネ | 1 |
| 31 | | B3416-051-000 | Rear lifting bar roller holder | | ウシロ ツリポー コロササエ | 1 |
| 32 | | SS-7110510-SP | Screw 11/64-40 L=5.0 | | マルヒラネジ 11/64-40 L=5 | 1 |
| 33 | | B3417-051-000 | Rear lifting bar roller | | ウシロ ツリポー コロ | 1 |
| 34 | | SD-0550801-SP | Hinge screw D=5.50 H=8.0 | | ダンネジ D=5.50 H=8 | 1 |
| 35 | | B8217-053-000 | Drip pan | | アブラウケ | 1 |
| 36 | | B3401-027-0B0 | Knee lifter asm. | | ヒザアゲソーチ クミ | 1 |
| 37 | | B3401-027-000 | Knee driving shaft mounting base | | ヒザアゲダイ | (1) |
| 38 | | B3402-027-000 | Knee driving bracket | | ヒザアゲ タイ | (1) |
| 39 | | B3408-027-000 | Knee driving shaft | | ヒザアゲ ジク | (1) |
| 40 | | B3404-027-000 | Spring | | ヒザアゲ ブラケット バネ | (1) |
| 41 | | B3409-027-000 | Knee driving spring | | ヒザアゲ バネ | (1) |
| 42 | | B3407-027-000 | Knee press plate | | ヒザアゲ テイタ | (1) |
| 43 | | SM-9081620-SE | Screw | | 6 カクボルト | (1) |
| 44 | | B3403-027-000 | Knee press plate rod | | ヒザアゲ テイタ ジク | (1) |
| 45 | | SS-9201813-CN | Screw 5/16-18 L=18.0 | | 6 カクボルト 5/16-18 L=18 | (1) |
| 46 | | B3405-027-0A0 | Knee lift plate asm. | | ツキアゲイタ | (1) |
| 47 | | B3410-027-000 | Knee press shaft | | ツキアゲ イタジク | (1) |
| 48 | | SS-9201813-CN | Screw 5/16-18 L=18.0 | | 6 カクボルト 5/16-18 L=18 | (1) |
| 49 | | B3406-027-000 | Bolt | | ツキアゲイタ カクボルト | (1) |
| 50 | | B3411-027-000 | Stopper pin | | ストッパー ピン | (1) |
| 51 | | SS-8150710-SN | Screw 15/64-28 L=7.0 | | トメネジ 15/64-28 L=7 | (1) |
| 52 | | SK-3623200-SC | Wood screw D=6.2 L=32 | | マルモクネジ D=6.2 L=32 | (3) |
| 53 | | WP-0851216-SC | Washer 8.5 x 18.0 x 1.2 | | ヒラザガネ 8.5x18.0x1.2 | (3) |

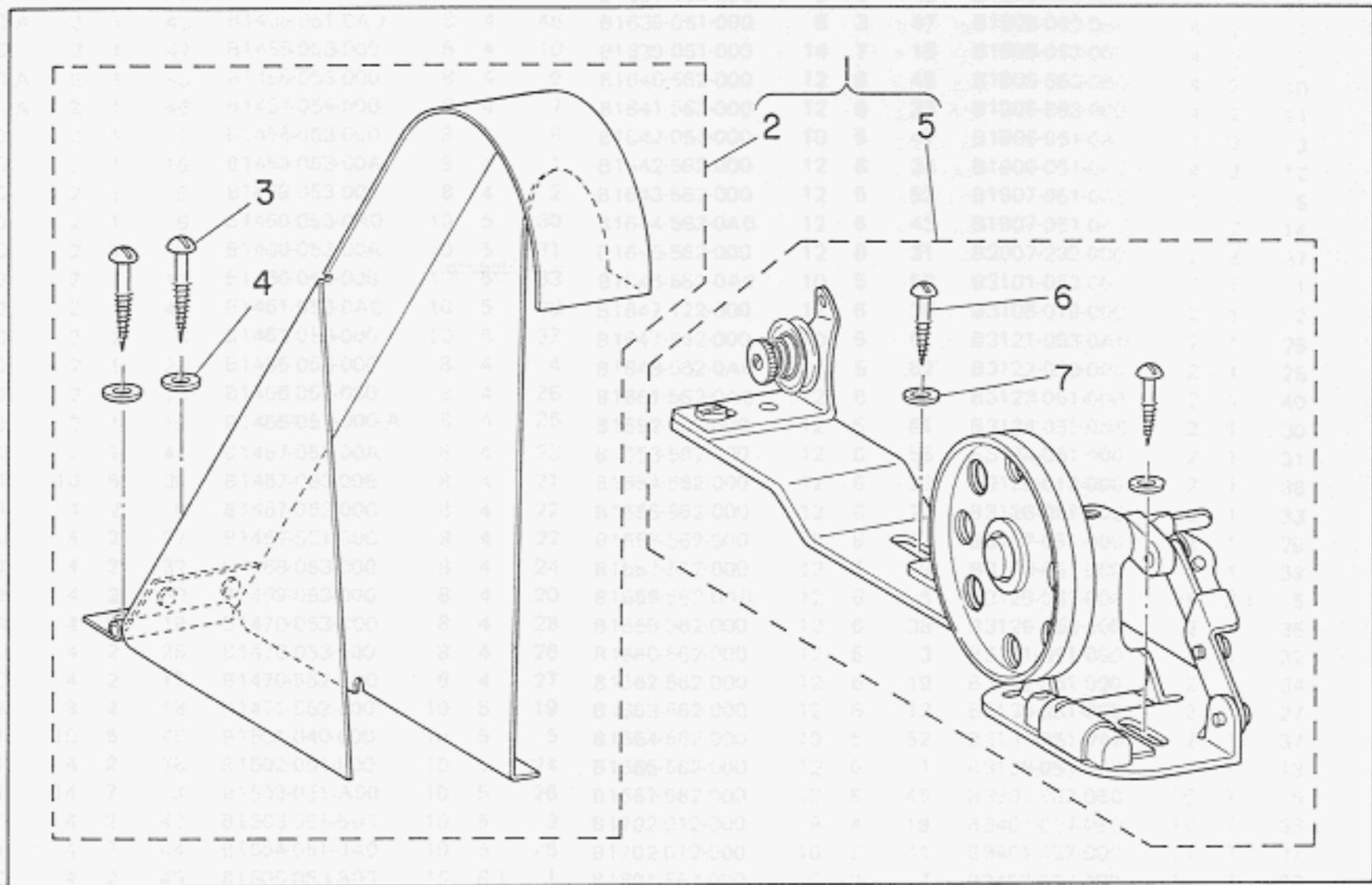
Note (注記) ◊06 Special order part for LU-562, LU-563 LU-562、LU-563用特別注文部品



| Ref. No. | Note | Part No. | Description | E.C. | Amt. Req. |
|--|------|---------------|--------------------------------------|---------------------------|-----------|
| | 注記 | 品番 | | 変更年月 | 数量 |
| (1) LU-562A (For light weight materials) | | | | | |
| 1 | | B1505-053-B00 | Adjusting plate spring (B) | LU-562A (薄物用) | 1 |
| 2 | | MDi-300B1600 | Needle D1 x 3 #16 | オサエ チョーセツイタ バネ B | 1 |
| 3 | | B1613-053-B00 | Feed dog (B) | ハリ D1 x 3 #16 | 1 |
| 4 | | B1830-051-0A0 | Hook asm. | オクリバ B | 1 |
| 5 | | B3129-051-000 | Tension spring | カマ クミ | 1 |
| 6 | | SS-8660530-TP | Screw 1/4-40 L=4.5 | イトチョーシバネ | 1 |
| | | | | トメネジ 1/4-40 L=4.5 | 2 |
| (2) LU-562-3 (For long stitch length, without reverse feed) | | | | | |
| 1 | | B1220-055-000 | Stitch graduator | LU-562-3(荒送り用、返シ縫ナシ) | 1 |
| 2 | | D1801-562-C00 | Hook driving shaft | オクリ メモリイタ | 1 |
| 3 | | SS-6121610-SP | Screw 3/16-28 L=15.5 | シタジク | 1 |
| 4 | | NS-6680410-SP | Nut 9/32-28 | ヒラネジ 3/16-28 L=15.5 | 1 |
| 5 | | B1616-055-000 | Feed rock shaft crank | 6 カクナット 9/32-28 | 1 |
| 6 | | B1614-057-000 | Feed rock shaft connecting rod | スイヘイ オクリウデ | 1 |
| 7 | | B1621-012-A00 | Taper screw | オクリロッド | 1 |
| | | | | テーバネジ | 1 |
| (3) LU-563-3 (For long stitch length, without reverse feed) | | | | | |
| 1 | | B1220-055-000 | Stitch graduator | LU-563-3 (荒送り用、返シ縫ナシ) | 1 |
| 2 | | D1801-562-C00 | Hook driving shaft | オクリ メモリイタ | 1 |
| 3 | | B1830-563-BA0 | Hook asm. | シタジク | 1 |
| 4 | | SS-6121610-SP | Screw 3/16-28 L=15.5 | カマ クミ | 1 |
| 5 | | NS-6680410-SP | Nut 9/32-28 | ヒラネジ 3/16-28 L=15.5 | 1 |
| 6 | | B1616-055-000 | Feed rock shaft crank | 6 カクナット 9/32-28 | 1 |
| 7 | | B1614-057-000 | Feed rock shaft connecting rod | スイヘイ オクリウデ | 1 |
| 8 | | B1621-012-A00 | Taper screw | オクリ ロッド | 1 |
| | | | | テーバネジ | 1 |

9. BELT COVER COMPONENTS (SPECIAL ORDER PARTS)

ベルトカバー関係 (特別注文部品)



| Ref. No. | Note | Part No. | Description | E.C. | Amt. Req. |
|----------|------|---------------|-----------------------------------|------|-----------|
| 品番 | 注記 | | | 変更年月 | 数量 |
| 1 | | B8230-562-0C0 | Belt cover and thread winder asm. | | 1 |
| 2 | | B8230-562-0B0 | Belt cover asm. | | (1) |
| 3 | | SK-3513200-SC | ... Installing round wooden screw | | (2) |
| 4 | | WP-0560860-SE | ... Washer | | (2) |
| 5 | | B3201-562-0B0 | Bobbin winder asm. | | (1) |
| 6 | | SK-3482500-SC | ... Installing round wooden screw | | (2) |
| 7 | | WP-0501016-SC | ... Washer | | (2) |

| Part No. 品番 | Page 頁 | Item 項目 | Ref. No. | Part No. 品番 | Page 頁 | Item 項目 | Ref. No. | Part No. 品番 | Page 頁 | Item 項目 | Ref. No. | Part No. 品番 | Page 頁 | Item 項目 | Ref. No. |
|----------------|-----------|------------|-------------|----------------|-----------|------------|-------------|----------------|-----------|------------|-------------|----------------|-----------|------------|-------------|
| CQ-2020000-00 | 4 | 2 | 13 | SD-0470281-SP | 2 | 1 | 28 | SS-7110510-SP | 2 | 1 | 57 | SS-8151280-SP | 12 | 6 | 25 |
| CQ-2020000-00 | 4 | 2 | 15 | SD-0550801-SP | 14 | 7 | 34 | SS-7110510-SP | 14 | 7 | 32 | SS-8151350-SP | 4 | 2 | 31 |
| CQ-2020000-00 | 4 | 2 | 18 | SD-0600271-SP | 12 | 6 | 8 | SS-7110540-SP | 14 | 7 | 29 | SS-8151350-SP | 4 | 2 | 49 |
| CQ-2020000-00 | 4 | 2 | 26 | SD-0600321-SP | 12 | 6 | 11 | SS-7110720-SP | 2 | 1 | 15 | SS-8151550-SP | 6 | 3 | 44 |
| CQ-2020000-00 | 4 | 2 | 29 | SD-0630241-SD | 2 | 1 | 24 | SS-7111310-SP | 10 | 5 | 32 | SS-8151770-SP | 10 | 5 | 50 |
| CQ-2020000-00 | 6 | 3 | 2 | SD-0640322-TP | 14 | 7 | 9 | SS-7111410-SP | 10 | 5 | 65 | SS-8151780-SP | 4 | 2 | 52 |
| CQ-2020000-00 | 6 | 3 | 13 | SD-0790361-SP | 14 | 7 | 22 | SS-7150940-SP | 4 | 2 | 9 | SS-8151780-SP | 10 | 5 | 49 |
| CQ-2020000-00 | 8 | 4 | 54 | SD-0790361-SP | 14 | 7 | 25 | SS-7151120-SP | 12 | 6 | 24 | SS-8151780-SP | 14 | 7 | 15 |
| CQ-2020000-00 | 8 | 4 | 56 | SD-0790801-SP | 8 | 4 | 51 | SS-7151210-SP | 12 | 6 | 49 | SS-8152030-SP | 4 | 2 | 51 |
| CQ-2020000-00 | 10 | 5 | 54 | SD-0800481-SP | 10 | 5 | 23 | SS-7161640-SP | 8 | 4 | 12 | SS-8152030-SP | 6 | 3 | 29 |
| CQ-2020000-00 | 10 | 5 | 63 | SD-0801601-SP | 10 | 5 | 22 | SS-7620750-SP | 12 | 6 | 4 | SS-8152030-SP | 6 | 3 | 59 |
| CQ-2020000-00 | 12 | 6 | 44 | SD-095080A-SP | 8 | 4 | 55 | SS-7661110-TH | 14 | 7 | 13 | SS-8152030-SP | 10 | 5 | 68 |
| | | | | | | | | SS-7681750-TP | 4 | 2 | 23 | SS-8152080-SP | 14 | 7 | 16 |
| THRUST COLLAR | スラストカラー | | | SCREW | ネジ | | | SS-7681750-TP | 4 | 2 | 41 | SS-8660530-TP | 4 | 2 | 34 |
| CS-0510713-SC | 14 | 7 | 28 | SK-3482500-SC | 16 | 9 | 6 | SS-7762840-SP | 6 | 3 | 16 | SS-8660530-TP | 6 | 3 | 23 |
| CS-1401010-SC | 10 | 5 | 60 | SK-3513200-SC | 16 | 9 | 3 | SS-8081050-TH | 10 | 5 | 47 | SS-8660530-TP | 15 | 8-1 | 6 |
| | | | | SK-3623200-SC | 14 | 7 | 53 | SS-8081210-TH | 10 | 5 | 47 | SS-8660670-SP | 6 | 3 | 24 |
| NEEDLE | 針 | | | SM-6081542-CP | 12 | 6 | 30 | SS-8090530-TP | 6 | 3 | 64 | SS-8660830-TP | 6 | 3 | 21 |
| MDi-300B1600 | 15 | 8-1 | 2 | SM-6081542-CP | 12 | 6 | 62 | SS-8090540-SP | 14 | 7 | 4 | SS-8660970-TP | 4 | 2 | 35 |
| MDi-300B2300 | 8 | 4 | 40 | SM-9081620-SE | 14 | 7 | 43 | SS-8110510-SP | 2 | 1 | 17 | SS-8660970-TP | 12 | 6 | 21 |
| | | | | SS-2090710-SP | 2 | 1 | 7 | SS-8110510-SP | 6 | 3 | 52 | SS-8680540-SP | 4 | 2 | 20 |
| NUT | ナット | | | SS-2090710-SP | 2 | 1 | 10 | SS-8110510-SP | 10 | 5 | 56 | SS-8680730-SP | 4 | 2 | 21 |
| NS-6080210-SP | 10 | 5 | 48 | SS-2110920-TP | 2 | 1 | 49 | SS-8110510-SP | 12 | 6 | 54 | SS-8681650-TP | 4 | 2 | 22 |
| NS-6110310-SP | 8 | 4 | 3 | SS-3090610-SP | 2 | 1 | 4 | SS-8110520-TP | 10 | 5 | 66 | SS-8681650-TP | 4 | 2 | 40 |
| NS-6110420-SP | 6 | 3 | 14 | SS-3090610-SP | 2 | 1 | 12 | SS-8110520-TP | 12 | 6 | 50 | SS-9111010-SP | 8 | 4 | 38 |
| NS-6110420-SP | 6 | 3 | 41 | SS-4080610-SP | 2 | 1 | 38 | SS-8110750-SP | 6 | 3 | 53 | SS-9111820-SP | 12 | 6 | 13 |
| NS-6110530-SP | 12 | 6 | 14 | SS-4091010-SP | 12 | 6 | 40 | SS-8110750-SP | 12 | 6 | 32 | SS-9111820-SP | 12 | 6 | 41 |
| NS-6110530-SP | 12 | 6 | 42 | SS-5080710-SP | 10 | 5 | 14 | SS-8110750-SP | 12 | 6 | 51 | SS-9121340-CP | 12 | 6 | 46 |
| NS-6160520-SP | 8 | 4 | 52 | SS-6090620-SP | 6 | 3 | 11 | SS-8110750-SP | 12 | 6 | 52 | SS-9151440-CP | 10 | 5 | 11 |
| NS-6620310-SP | 8 | 4 | 48 | SS-6090910-TP | 10 | 5 | 7 | SS-8111251-SP | 2 | 1 | 41 | SS-9151440-CP | 12 | 6 | 15 |
| NS-6660430-SP | 8 | 4 | 8 | SS-6110710-TP | 8 | 4 | 29 | SS-8150410-SP | 10 | 5 | 61 | SS-9151630-CP | 12 | 6 | 59 |
| NS-6680410-SP | 15 | 8-2 | 4 | SS-6111140-SP | 8 | 4 | 5 | SS-8150580-SP | 6 | 3 | 31 | SS-9201813-CN | 14 | 7 | 46 |
| NS-6680410-SP | 15 | 8-3 | 5 | SS-6121030-SP | 12 | 6 | 26 | SS-8150710-SN | 14 | 7 | 52 | SS-9201813-CN | 14 | 7 | 49 |
| NS-6700420-SP | 8 | 4 | 57 | SS-6121210-SP | 12 | 6 | 6 | SS-8150710-SP | 4 | 2 | 46 | SS-9660940-SP | 12 | 6 | 22 |
| | | | | SS-6121610-SP | 15 | 8-2 | 3 | SS-8150710-SP | 6 | 3 | 18 | | | | |
| PIN | ピン | | | SS-6121610-SP | 15 | 8-3 | 4 | SS-8150710-SP | 6 | 3 | 27 | WASHER | 座金 | | |
| PD-0231100-0B | 14 | 7 | 27 | SS-6151440-SP | 8 | 4 | 50 | SS-8150710-SP | 12 | 6 | 7 | WP-0371016-SD | 6 | 3 | 10 |
| PS-0200102-KH | 14 | 7 | 20 | SS-6151920-SP | 8 | 4 | 59 | SS-8150710-SP | 12 | 6 | 29 | WP-0371016-SD | 12 | 6 | 39 |
| PS-0300201-KP | 12 | 6 | 60 | SS-6153040-SP | 6 | 3 | 19 | SS-8150710-SP | 12 | 6 | 36 | WP-0480856-SP | 8 | 4 | 37 |
| PS-0500202-KP | 12 | 6 | 17 | SS-7060310-SP | 8 | 4 | 42 | SS-8150750-SP | 6 | 3 | 61 | WP-0480856-SP | 12 | 6 | 47 |
| PS-0500202-KP | 12 | 6 | 18 | SS-7080510-SP | 8 | 4 | 43 | SS-8151150-SP | 4 | 2 | 7 | WP-0501016-SC | 16 | 9 | 7 |
| PT-0201200-S0 | 10 | 5 | 34 | SS-7090520-SP | 2 | 1 | 14 | SS-8151150-SP | 6 | 3 | 7 | WP-0560860-SE | 16 | 9 | 4 |
| | | | | SS-7090520-SP | 6 | 3 | 56 | SS-8151150-SP | 10 | 5 | 4 | WP-0621016-SD | 12 | 6 | 16 |
| SNAP RING | Eリング | | | SS-7090540-SP | 12 | 6 | 57 | SS-8151150-SP | 10 | 5 | 25 | WP-0753016-SZ | 6 | 3 | 17 |
| RE-0500000-K0 | 6 | 3 | 49 | SS-7090910-SP | 8 | 4 | 34 | SS-8151150-SP | 10 | 5 | 27 | WP-0851216-SC | 14 | 7 | 54 |
| | | | | SS-7090910-SP | 10 | 5 | 2 | SS-8151150-SP | 10 | 5 | 59 | WS-0651510-KP | 10 | 5 | 12 |
| HINGE SCREW | 段ネジ | | | SS-7090910-SP | 10 | 5 | 29 | SS-8151160-SP | 8 | 4 | 32 | WZ-0641510-KP | 12 | 6 | 10 |
| SD-0400201-SD | 12 | 6 | 2 | SS-7110410-SP | 2 | 1 | 53 | SS-8151230-SP | 4 | 2 | 37 | | | | |
| | | | | SS-7110510-SP | 2 | 1 | 53 | SS-8151230-SP | 6 | 3 | 34 | | | | |