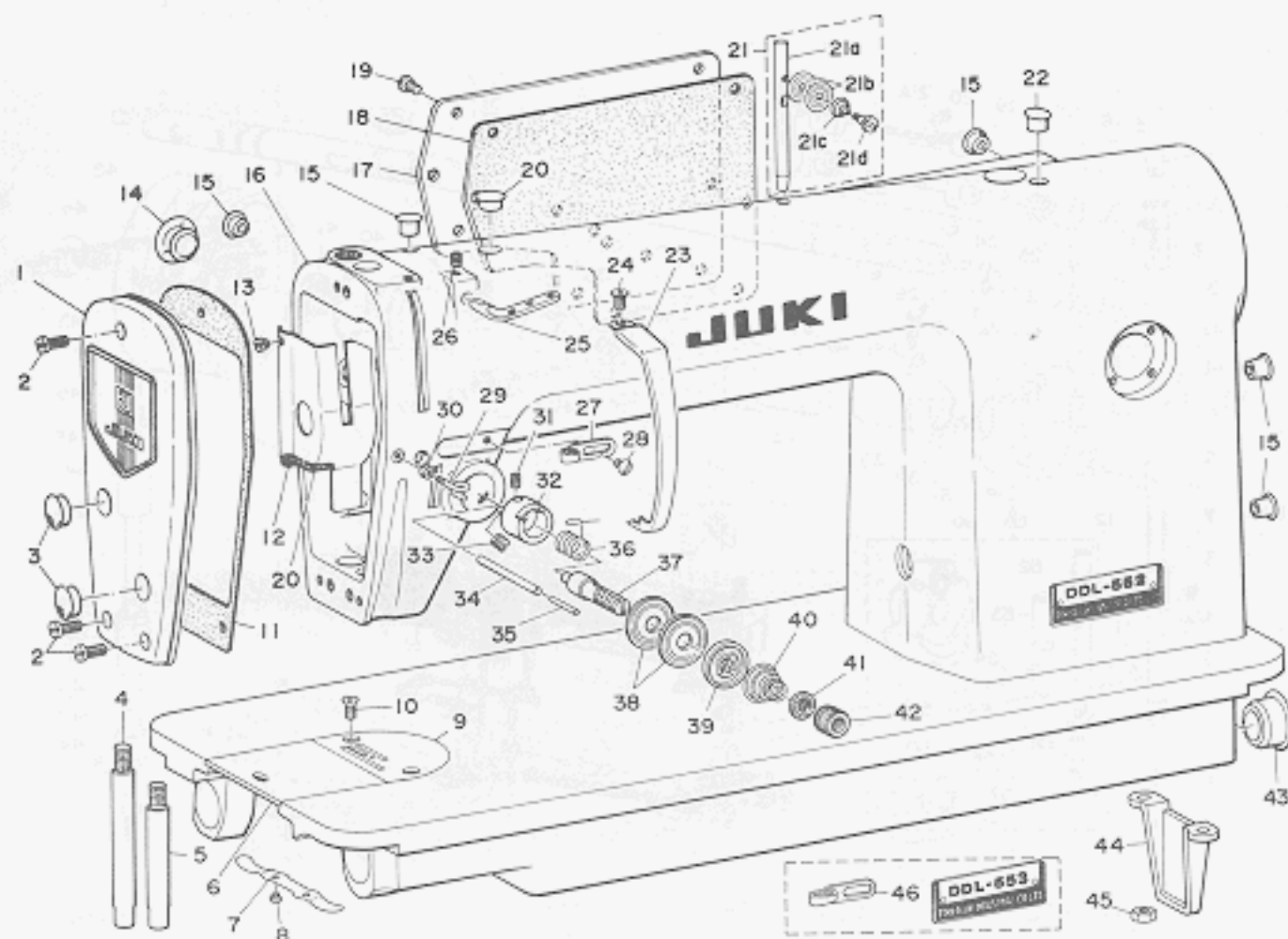


1. MACHINE FRAME & TENSION PARTS COMPONENTS

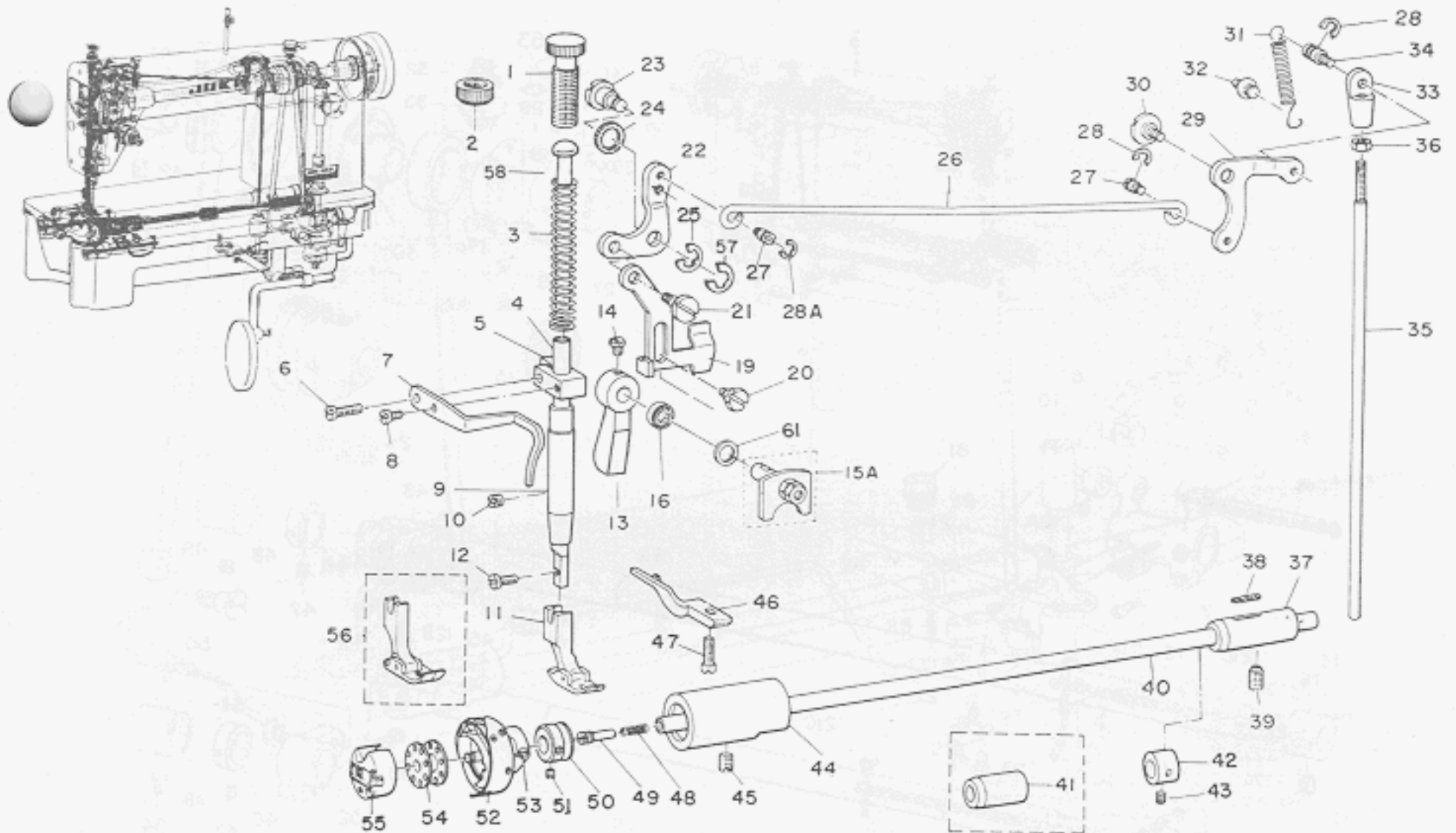


Ref. No.	Part No.	Description	Amt. Req.	Ref. No.	Part No.	Description	Amt. Req.
1	B-1121-552-0A0	Face plate	1	23	B-1123-552-000A	Thread take-up lever oil guard	1
2	SS-7111120-SP	... Screw	3	24	SS-7110510-SP	... Screw	1
3	B-1179-552-000	... Rubber plug	2	25	B-1128-522-000	Three-hole thread eyelet	1
4	B-1104-122-000	Bed screw stud (A)	1	26	SS-8110910-SP	... Screw	1
5	B-1105-122-000	Bed screw stud (B)	1	27	B-1126-552-000	Frame thread guide (A) (DDL-552,5)	1
*6	B-1110-012-0A0	Bed slide, assembly	1	28	SS-5090610-SP	... Screw	1
7	B-1111-012-000	Bed slide spring	①	29	B-3114-761-000	Frame thread guide (B)	1
8	SS-6060210-SP	... Screw	②	30	NS-6060350-SP	... Set nut	1
9	B-1109-552-000	Throat plate, for DDL-552	1	*B-3111-552-0A0	Tension post, assembly (Ref. No. 31, 32, 36~42)	1	
(9)	B-1109-543-000	Throat plate, for DDL-553	(1)	31	SS-8090670-SP	Screw	①
10	SS-2110920-TP	... Screw	2	32	B-3111-552-800	Tension post socket	①
11	B-1122-552-000	Face plate gasket	1	36	B-3128-012-000	Take-up spring	①
12	B-1188-552-000	Arm oil shield	1	37	B-3115-552-000	Tension post	①
20	CO-2020000-00	... Oil wick	1	38	B-3126-012-000	Tension disc	②
13	SS-6080410-SP	... Screw	1	39	B-3132-552-000	Tension release washer	①
(13)	SS-6080320-SP	... Screw, for DDL-553	(1)	40	B-3129-012-A00	Tension spring	①
14	B-1164-012-000	Rubber plug, large	1	41	B-3120-125-000	Tension disc stop	①
15	B-1117-552-000	Rubber plug	5	42	B-3116-125-000	Tension nut	①
16	B-1101-552-0A0	Machine frame & bed, assembly for DDL-552, 3	1	33	SS-8150710-SP	Clamp screw, for socket	1
(16)	B-1101-555-0A0	Machine frame & bed, assembly for DDL-555	(1)	34	B-3127-127-000	Tension release auxiliary pin	1
17	B-1118-522-000	Side plate	1	35	B-3118-552-000	Tension release pin	1
18	B-1119-522-000	... Gasket	1	43	B-1166-552-000A	Bed shaft rubber plug	2
19	SS-7110910-SP	... Screw	8	44	B-1106-122-000	Bed leg	1
*21	B-1113-155-0A0	Needle thread guide pin, assembly	1	45	NS-6150310-SP	... Nut	2
21a	B-1113-155-000	Needle thread guide pin	①	46	B-1126-553-000	Frame thread guide (A), for DDL-553	1
21b	B-3148-123-000	... Tension disc	②				
21c	B-3149-123-A00	... Tension spring	①				
21d	SD-0380552-SL	... Hinge screw	①				
22	B-1186-552-000	... Rubber plug	2				

ARTS Import Error:

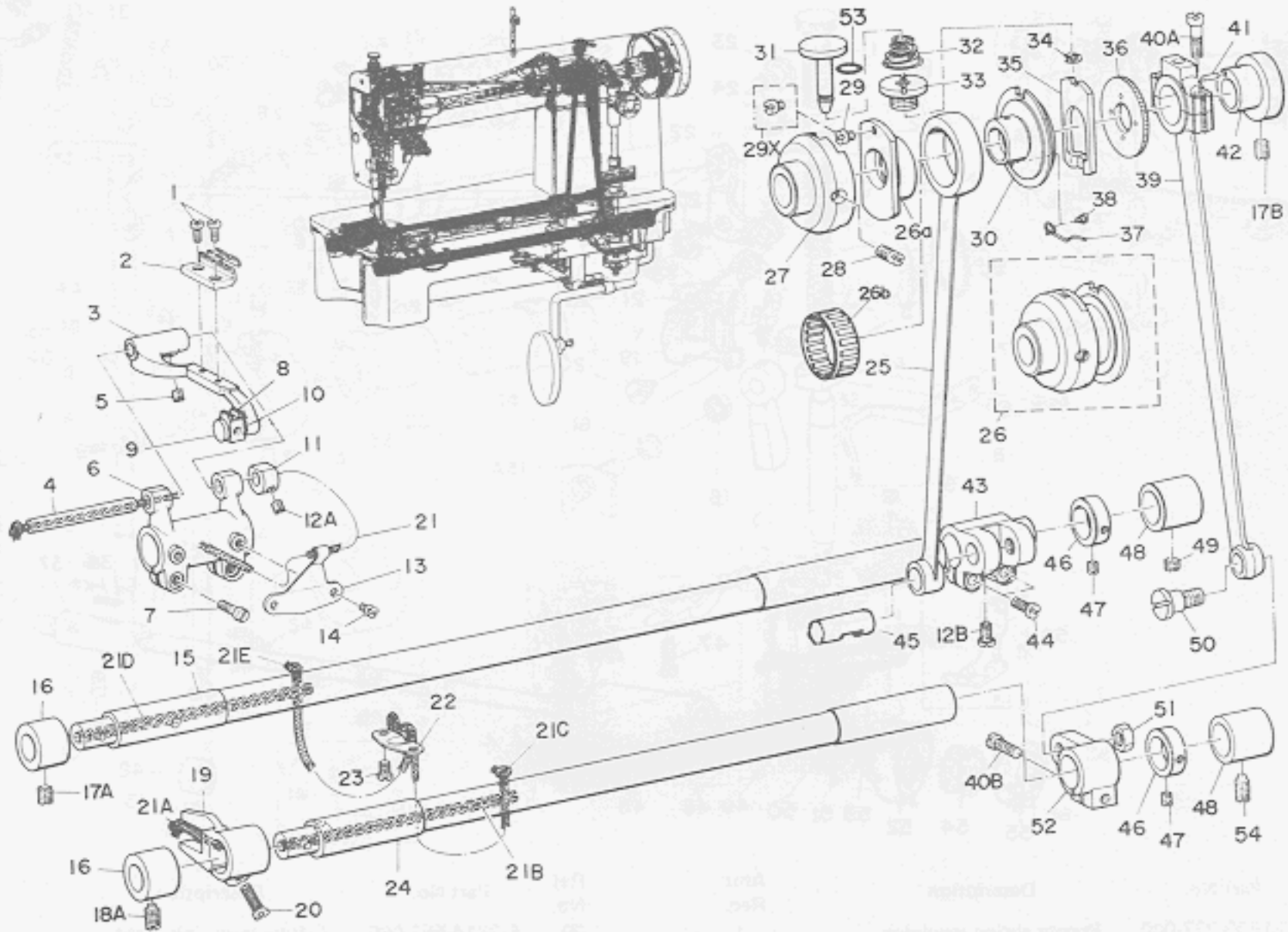
Application error: LZW minimum code size other than 8 bit not supported in GIF file 'E:\www\images\PartsBook\juki\DDL-552\0002.gif'

3. PRESSER BAR, LIFTING LEVER & HOOK DRIVING SHAFT COMPONENTS



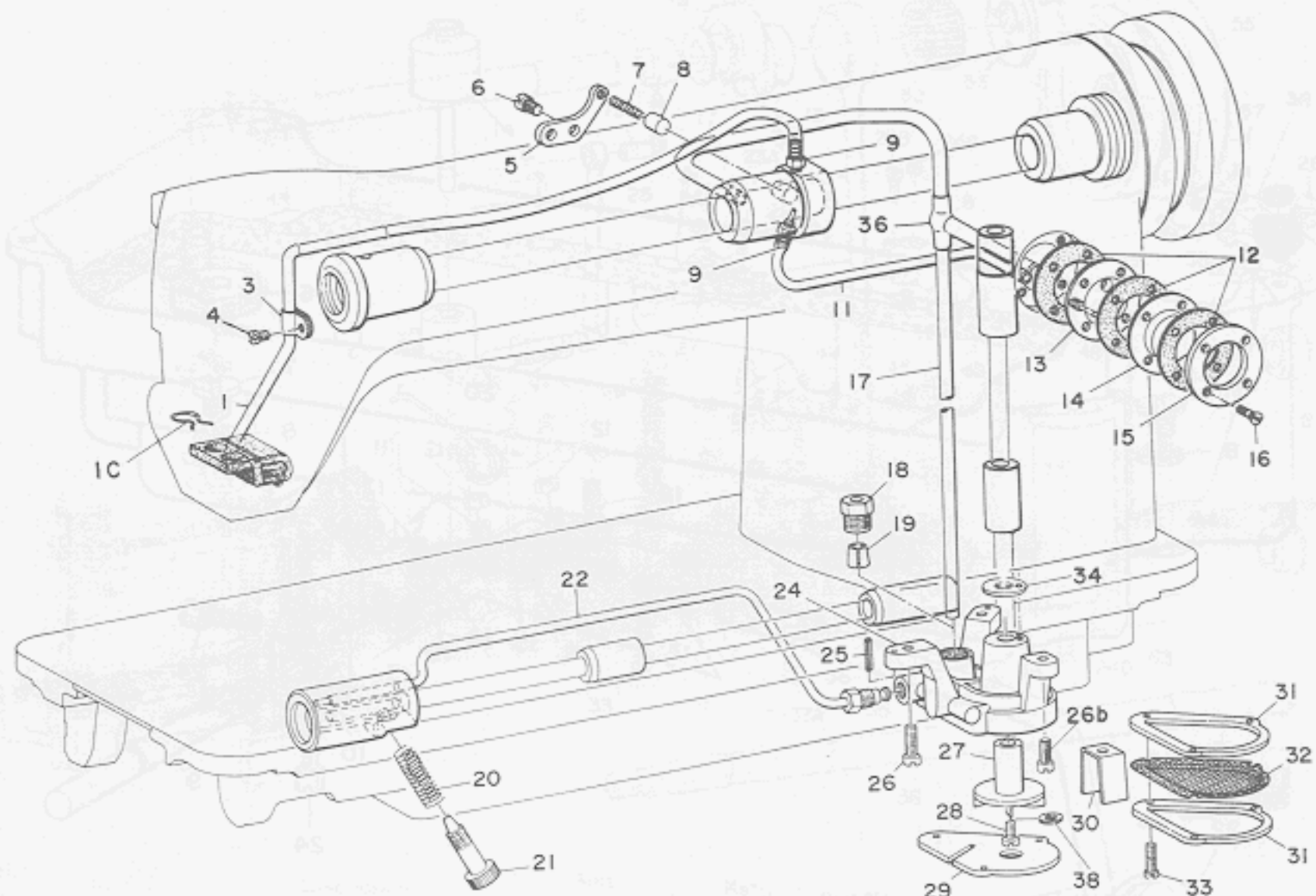
Ref. No.	Part No.	Description	Amt. Req.	Ref. No.	Part No.	Description	Amt. Req.
1	B-1509-227-000	Presser spring regulator	1	29	B-3414-552-000	Lifting lever link, right	1
58	B-1510-227-000	Presser guide bar	1	30	SD-0720331-SP	... Hinge screw	1
2	NS-2820850-SA	... Nut	1	31	B-3417-552-000	... Spring	1
3	B-1505-227-000A	Presser spring	1	32	B-3413-227-000	... Suspension screw	1
(3)	B-1505-552-000A	Presser spring (DDL-553)	(1)	33	B-3416-012-000	Swivel	1
4	B-1501-127-000	Presser bar	1	34	B-3418-552-000	... Screw	1
5	B-1507-552-000	Presser bar guide bracket	1	35	B-3415-552-000	Lifting lever connecting rod, vertical	1
6	SS-7111410-SP	... Clamp screw	1	36	NS-6620310-SP	... Nut	1
7	B-1521-552-000	Slack thread regulator	1	37	B-1804-552-B00	Hook driving shaft bushing rear	1
8	SS-6090650-SP	... Screw	1	38	B-1806-038-000	... Oil felt	1
9	B-1502-541-000	Presser bar bushing, lower	1	39	SS-8151550-SP	... Screw	1
10	SS-8150310-SP	... Screw	1	40	B-1801-412-000	Hook driving shaft	1
11	B-1524-012-0A0	Presser foot assembly, for DDL-555	1	41	B-1803-552-000	... Bushing, intermediate	1
(11)	B-1524-552-0A0	Presser foot assembly, for DDL-552	(1)	44	B-1802-412-0A0	... Bushing, front(assembly)	1
56	B-1511-543-BA0	Presser foot assembly, for DDL-553	(1)	45	SS-8151150-SP	... Screw	1
12	SS-7091110-SP	... Screw	1	46	B-1835-012-000	Bobbin case holder positioning finger	1
13	B-1520-552-000	Hand lifter	1	47	SS-6111010-SP	... Screw	1
14	SS-7120910-SP	... Screw	1	*49	B-1808-552-0A0	Oil seal screw	1
*15A	B-1518-552-0A0	Hand lifter cam, assembly	1	48	B-1810-552-000	Oil wick	(1)
61	WP-0740516-SP	Washer, for hand lifter hinge pin	1	50	CS-0791066-SH	Hook driving shaft thrust collar	1
16	B-1522-552-000	... Oil seal ring	1	51	SS-8110410-TP	... Screw	2
19	B-1515-552-000	Lifting lever	1	*52	B-1830-127-0A0	Hook, assembly	1
20	SD-0630275-SP	... Hinge screw (A)	1	53	SS-6110560-TP	... Screw	(2)
21	SD-0630301-SP	... Hinge screw (B)	1	54	B-9117-012-000	Bobbin	1
22	B-1516-552-000	... Link, left	1	55	B-1837-012-0A0	Bobbin case, assembly	1
23	B-1517-552-000	... Hinge pin	1	42	CS-0791016-SH	Thrust collar (B)	1
24	B-3431-581-000	... Gasket	1	43	SS-8110520-TP	... Screw	2
25	RE-0600000-K0	... Snap ring	1				
57	B-1523-226-000	... Snap ring (B)	1				
26	B-3412-552-000	Lifting lever connecting rod	1				
27	B-3416-552-000	... Hinge screw	1				
28	RE-0500000-K0	... Snap ring	3				

4. FEED ROCKER SHAFT & FEED DRIVING SHAFT COMPONENTS



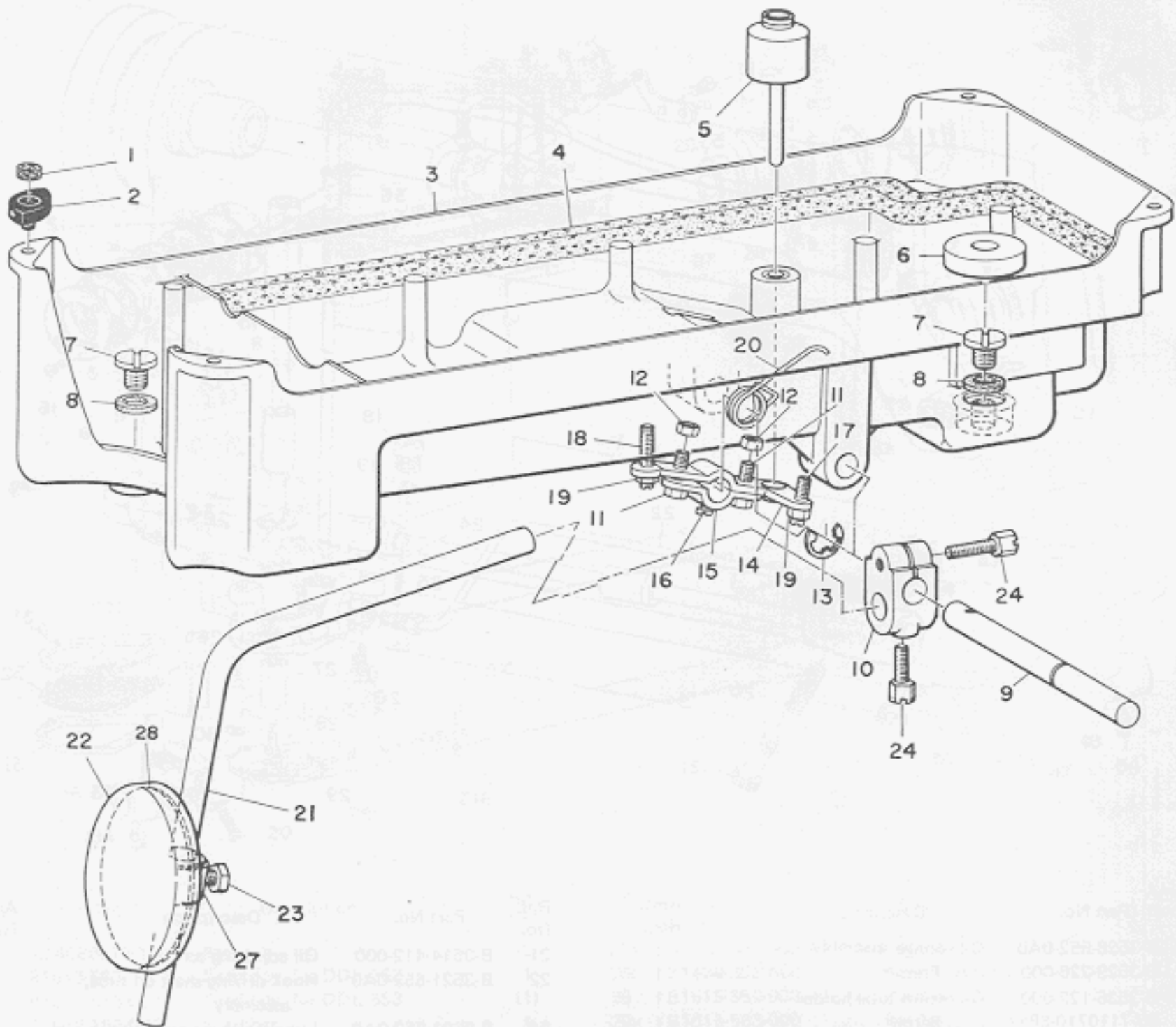
Ref. No.	Part No.	Description	Amt. Req.	Ref. No.	Part No.	Description	Amt. Req.
1	SS-4080620-TP	Screw	2	26a	B1610-552-000-A	Feed eccentric	①
2	B1613-552-000	Feed dog, for DDL-552	1	26b	B1426-352-B00	Needle bearing	①
(2)	B1613-543-000	Feed dog, for DDL-553	(1)	29	B1615-552-000	Positioning screw	①
*3	B1602-155-080	Feed bar	1	29x	B1615-553-000	Positioning screw, for DDL-553	(1)
5	SS-8620610-TP	Clamp screw	①	30	B1612-552-000-A	Stitch regulator	①
4	B1604-012-000	Feed bar shaft	1	31	B1618-552-0A0-A	Thumb screw stud, assembly	1
6	B1603-155-000	Feed locker	1	32	B3118-352-000	Spring	1
7	SS-7111310-TP	Clamp screw	2	33	B1621-552-000	Guide	1
11	CS-0640863-SH	Thrust collar	1	34	RE-0500000-KE	Snap ring	1
12A	SS-8110510-SP	Screw	2	35	B1623-552-000	Ratchet pawl	1
13	B1609-155-000	Oil wick holder	1	36	B1619-155-000	Ratchet gear	1
14	SS-6080410-SP	Screw	2	37	B1624-552-000	Ratchet pawl spring	1
15	B1601-552-000	Feed rocker shaft	1	38	SD-0260271-SP	Screw	1
16	B1604-155-000	Bushing, front	2	39	B1708-555-000	Connecting rod	1
17A	SS-8150710-SP	Screw	1	40A	SS-6121610-SP	Screw	2
18A	SS-8151550-SP	Screw	1	42	B1709-552-000	Feed driving eccentric	1
19	B1704-155-000	Feed driving shaft crank, front	1	17B	SS-8150710-SP	Screw	2
20	SS-7111120-SP	Clamp screw	1	41	B1620-155-000	Ratchet pawl connecting pin	1
21	CQ-2020000-00	Oil wick	1	*43	B1607-155-0A0-A	Feed rocker shaft crank	1
21A	CQ-2020000-00	Oil wick	1	44	SS-7121410-SP	Clamp screw	2
21B	CQ-3030000-00	Oil wick	1	12B	SS-7110710-SP	Screw	1
21C	CQ-3030000-00	Oil wick	1	45	B1611-155-000-A	Hinge screw	1
21D	CQ-3030000-00	Oil wick	1	46	CS-1471212-SH	Thrust collar	2
21E	CQ-3030000-00	Oil wick	1	47	SS-8660610-TP	Screw	4
22	B1635-552-000	Oil wick holder	1	48	B1702-155-000	Bushing, rear	2
23	SS-7110540-SP	Screw	2	49	SS-8150410-SP	Screw	1
24	B1702-552-000	Feed driving shaft	1	18B	SS-8150710-SP	Screw	1
25	B1609-552-000	Feed rocker shaft connecting rod	1	50	SD-1020701-SP	Hinge screw	1
*26	B1610-552-0A0-A	Feed eccentric, complete (DDL-552)	1	51	NS-6680410-SP	Nut	1
(26)	B1610-553-0A0-A	Feed eccentric, complete (DDL-553)	1	52	B1703-155-000	Feed driving shaft crank, rear	1
27	B1611-552-000-A	Feed eccentric body	①	40B	SS-6121610-TP	Clamp screw	1
28	SS-8661430-SP	Screw	②	53	RO-0611801-00	Rubber ring	1

5. OIL LUBRICATION MECHANISM COMPONENTS



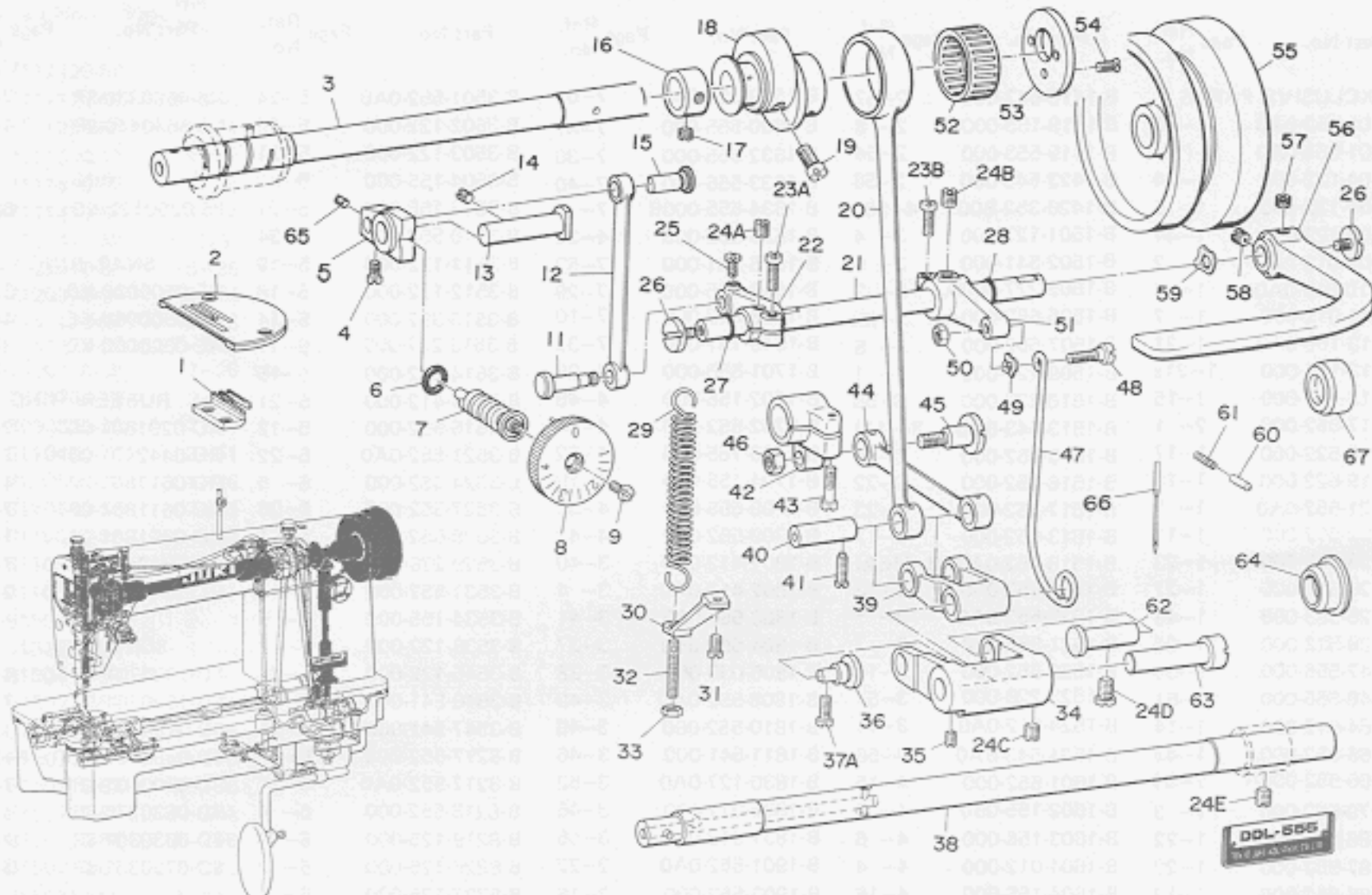
Ref. No.	Part No.	Description	Amt. Req.	Ref. No.	Part No.	Description	Amt. Req.
1	B-3528-552-0A0	Oil sponge assembly	1	21	B-3514-412-000	Oil adjusting screw	1
1C	B-3529-226-000	Presser	1	22	B-3521-552-0A0	Hook driving shaft oil tube, assembly	1
3	B-3536-122-000	Oil return tube holder	1	24	B-3501-552-0A0	Lubricating oil pump (with pin)	1
4	SS-7110710-SP	Screw	1	25	PS-0200122-K0	Spring pin	2
5	B-3524-552-000	Plunger thrust plate	1	26	SS-7121410-SP	Screw	3
6	SS-7110910-SP	Screw	2	(26)	SS-7121410-SP	Screw (A), for DDL-555	2
7	B-1214-038-000	Spring	1	(26b)	SS-6121210-SP	Screw (B), for DDL-555	1
8	B-3534-155-000	Lubrication pump plunger	1	27	B-3507-155-000	Impeller	1
9	SQ-1110402-MZ	Oil tube connecting screw	2	28	SS-6081010-TP	Screw	1
11	BP-3000000-00	Oil sight window oil tube	1	38	WP-0550800-SP	Washer	1
12	B-3516-552-000	Oil sight window gasket	3	29	B-3502-122-000	Cover	1
13	B-3531-552-000	Oil sight window base	1	30	B-3545-122-000	Oil guard	1
14	B-3513-352-000	Oil sight window	1	31	B-3503-122-000	Frame	2
15	B-3514-552-000	Oil sight window frame	1	32	B-3504-155-000	Filter screen	1
16	SS-2091520-SP	Screw	4	33	SS-6081210-SP	Screw, for cover	3
17	B-3513-227-000	Main shaft oil pipe	1	34	B-3510-552-000	Thrust collar rotation stopper plate	1
18	B-3512-122-000	Clamp sleeve nut	1	36	B-3527-552-000	Lubrication pipe rubber joint	1
19	B-3511-122-000	Clamp sleeve nut	1				
20	B-2616-372-000	Spring	1				

6. OIL RESERVOIR & KNEE LIFTER COMPONENTS



Ref. No.	Part No.	Description	Amt. Req.	Ref. No.	Part No.	Description	Amt. Req.
*	B8217-552-0C0	Oil reservoir complete (Ref. No.1~20,24)	1	13	B-3426-552-000	Thrust ring	①
*	B8217-552-0A0	Oil reservoir assembly (Ref. No.1~4,7,8)	1	14	B-3425-552-000	Lifter lever (B)	①
1	B-8227-125-000	Felt pad	4	15	B-3424-552-000	Lifting lever (A)	①
2	B-8226-125-000	Rubber pad	4	16	SS-9151120-SR	Screw	①
5	B-3421-552-0A0	Knee press lifter rod, assembly	1	17	SS-8152080-SR	Positioning screw (B)	①
6	B-8228-125-000	Oil reservoir magnet	1	18	SS-8153010-SR	Positioning screw (A)	①
3	B-8217-552-000	Oil reservoir	①	19	NS-6150430-SR	Nut	②
4	B-8218-552-000	Gasket	①	20	B-3429-552-000	Spring	①
7	SS-6741010-SP	Oil drain cap screw	②	24	SS-9182010-SN	Clamp screw, for No. 10	②
8	B-8219-125-000	Gasket	②	*B-3419-552-0A0	Knee lifter plate rod complete (No. 21~ 23, 27, 28)	①	
	*B-3420-552-0A0	Knee press rod complete (Ref. No. 9~ 20, 24)	①	21	B-3419-122-000	Knee lifter plate rod	①
9	B-3420-552-000	Knee press rod	①	22	B-3431-552-000	Knee press plate cover	①
10	B-3427-122-000	Bearing bracket	①	23	SM-9061003-SE	Screw, for knee press plate stopper	①
11	SS-9151540-SR	Clamp screw	②	27	B-3432-552-000	Knee press plate stopper	①
12	NS-6150430-SR	Nut	②	28	B-3430-552-000	Knee press plate	①

7. EXCLUSIVE PARTS FOR DDL-555



Ref. No.	Part No.	Description	Amt. Req.	Ref. No.	Part No.	Description	Amt. Req.
1	B-1613-012-A00	Feed dog (A)	1	35	SS-8620610-SP	Screw (B)	1
2	B-1109-012-A00	Throat plate (A)	1	36	B-1619-555-000	Hinge pin	1
3	B-1201-555-000	Main shaft	1	37A	SS-7111120-SP	Screw	1
5	B-1620-161-000	Feed regulator	1	38	B-1701-555-000	Feed driving shaft	1
4	SS-7110720-SP	Screw (A)	1	39	B-1614-555-000	Feed driving rocker arm	1
65	SS-8110510-SP	Screw (B)	1	40	B-1633-555-000	Connecting pin	1
6	RO-0742401-00	Rubber ring	1	41	SS-7111260-SP	Screw	1
7	B-1634-555-000B	Stitch length regulating screw	1	42	B-1608-161-000	Feed rocker shaft crank, rear	1
8	B-1623-555-0A0A	Feed regulator dial, assembly	1	43	SS-6121610-TP	Clamp screw	1
10	B-1648-012-000	Stop pin	1	44	B-1613-555-000	Connecting rod	1
9	SS-6121050-SP	Screw	1	45	SD-1020701-SP	Hinge screw	1
11	B-1628-555-000	Tension spring suspension stud	1	46	NS-6680330-SP	Nut	1
12	B-1625-555-000	Feed regulator connecting rod	1	47	B-1630-555-000	Feed driving rocker arm connecting rod	1
13	B-1622-555-000	Feed regulator hinge pin	1	48	SD-0500401-SP	Hinge screw	1
14	SS-8151230-SP	Screw	1	49	WZ-0541510-KP	Washer	1
15	B-1626-555-000	Feed regulator connecting rod pin	1	50	NS-6120310-SP	Nut	1
16	CS-1471212-SH	Thrust collar	1	51	B-1629-555-000	Control lever crank, rear	1
17	SS-8660610-TP	Screw	2	24B	SS-8150710-SP	Screw	1
18	B-1610-555-0A0	Feed eccentric	1	23B	SS-6121210-SP	Clamp screw	1
19	SS-6661110-SP	Screw	2	52	B-1636-581-000	Needle bearing	1
20	B-1612-161-000	Feed rocker shaft connecting rod	1	53	B-1611-161-000	Feed eccentric thrust washer	1
21	B-1621-555-000	Reverse feed control lever shaft	1	54	SS-2110930-SP	Screw	3
22	B-1627-555-000	Crank	1	55	B-1217-555-0A0	Hand wheel, assembly	1
23A	SS-6121210-SP	Clamp screw	1	56	B-1624-555-000	Reverse feed control lever	1
24A	SS-8150710-SP	Screw	1	57	SS-8660970-TP	Screw (A)	1
25	SS-7110910-SP	Screw, for suspension stud	1	58	SS-8660810-TP	Screw (B)	1
26	SS-7620750-SP	End screw	2	59	WZ-1052010-KP	Washer	1
27	RO-0611801-00	Rubber ring, small	1	60	B-1147-555-000	Feed regulating stop pin	1
28	RO-0691801-00	Rubber ring, large	1	61	B-1148-555-000	Spring	1
29	B-1646-555-000	Tension spring	1	62	B-1618-161-000	Feed driving rocker arm hinge pin	1
30	B-1632-555-000	Suspension bracket	1	24D	SS-7151120-SP	Screw	1
31	SS-7111120-SP	Screw	1	63	B-1615-555-000	Feed driving rocker hinge pin	1
32	B-1649-161-000	Adjusting screw	1	24E	SS-8150710-SP	Screw, for feed driving shaft bushing, rear	1
33	NS-6110420-SP	Nut	2	66	MDB-100B1400	Needle (DB X 1 #14)	1
34	B-1617-555-000	Feed driving rocker	1	64	B-1166-552-000A	Rubber plug for feed driving shaft	1
24C	SS-8150710-SP	Screw (A)	1	67	B-1189-415-000	Rubber plug for feed regulator	1

Part No.	Page	Ref. No.
SS-7111120-SP		7-31
SS-7111120-SP		7-37A
SS-7111260-SP		7-41
SS-7111310-TP		4- 7
SS-7111410-SP		3- 6
SS-7111410-SP		4-44
SS-7121410-SP		5-(26)
SS-7121410-SP		5-26
SS-7120910-SP		3-14
SS-7151120-SP		2-35
SS-7151120-SP		7-24D
SS-7620750-SP		7-26
SS-7681750-TP		2-30
SS-8090670-SP		1-31
SS-8110410-TP		3-51
SS-8110510-SP		1-26
SS-8110510-SP		7-65
SS-8110510-SP		4-12A
SS-8110520-TP		2-48
SS-8110520-TP		3-43
SS-8150310-SP		2- 3
SS-8150310-SP		3-10
SS-8150410-SP		4-49
SS-8150710-SP		1-33
SS-8150710-SP		4-17A
SS-8150710-SP		4-17B
SS-8150710-SP		4-18B
SS-8150710-SP		7-24A
SS-8150710-SP		7-24B
SS-8150710-SP		7-24C
SS-8150710-SP		7-24E
SS-8150710-TP		7-14
SS-8151150-SP		2-21A
SS-8151150-SP		2-21B
SS-8151150-SP		2-21C
SS-8151150-SP		3-45
SS-8151230-SP		7-14
SS-8151550-SP		2-43
SS-8151550-SP		3-39
SS-8151550-SP		4-18A
SS-8152080-SR		1-17
SS-8153010-SR		6-18
SS-8182010-SN		6-24
SS-8620610-SP		7-35
SS-8620610-TP		4- 5
SS-8660410-TP		7-57
SS-8660610-TP		2-32
SS-8660610-TP		4-47
SS-8660610-TP		7-17
SS-8660810-TP		7-58
SS-8660810-TP		2-38
SS-8661430-SP		4-28
SS-8681950-SP		2-62
SS-9151120-SR		6-16
SS-9151540-SR		6-11
SS-9661120-CP		2-29

WASHER

WP-0550800-SP	5-38
WP-0740516-SP	3-61
WZ-0541510-KP	7-49
WZ-1052010-KP	7-59