

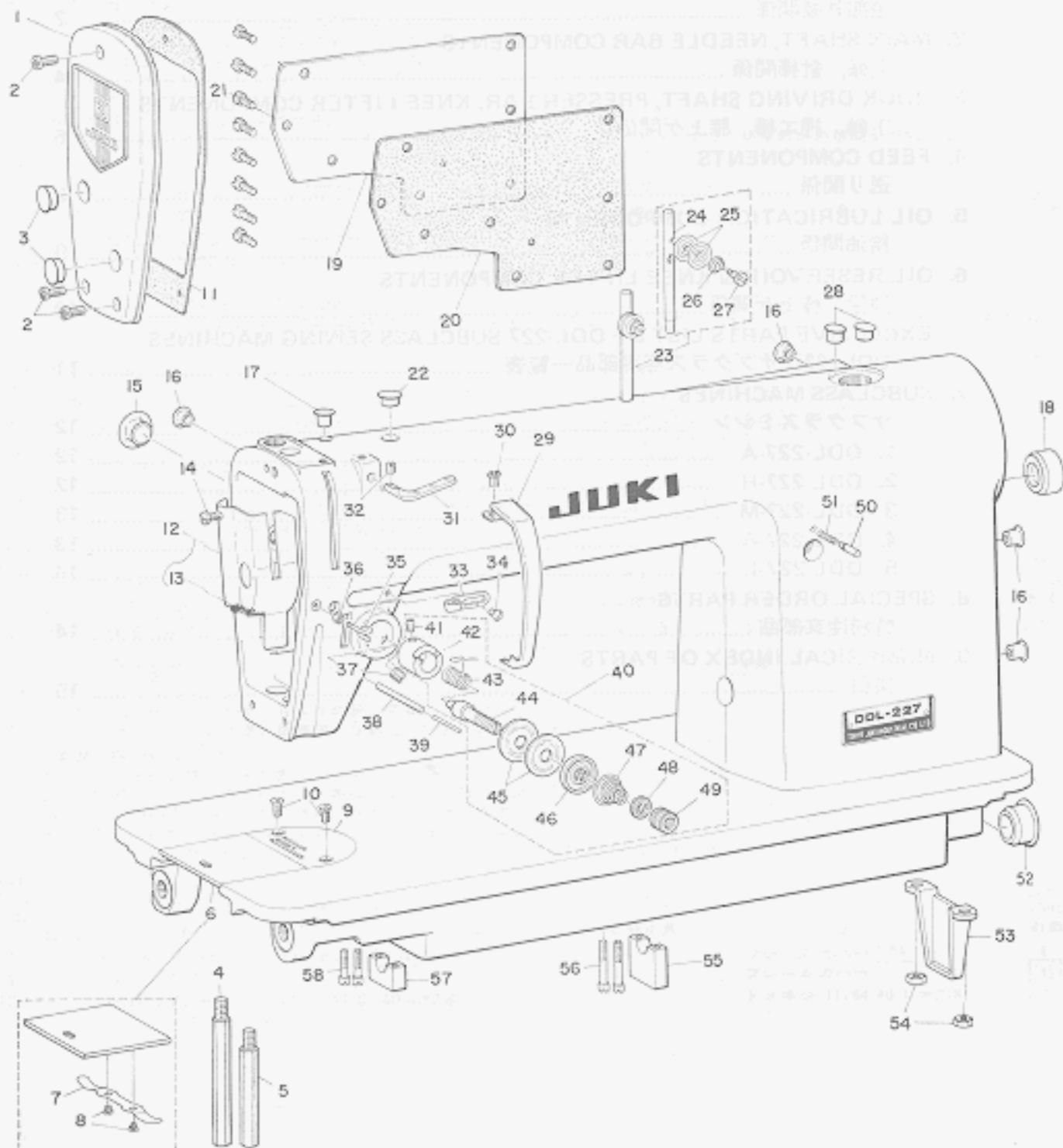
1. FRAME & MISCELLANEOUS COVER COMPONENTS

頭部外装関係

CONTENTS

目次

1. FRAME & MISCELLANEOUS COVER COMPONENTS



1. FRAME & MISCELLANEOUS COVER COMPONENTS

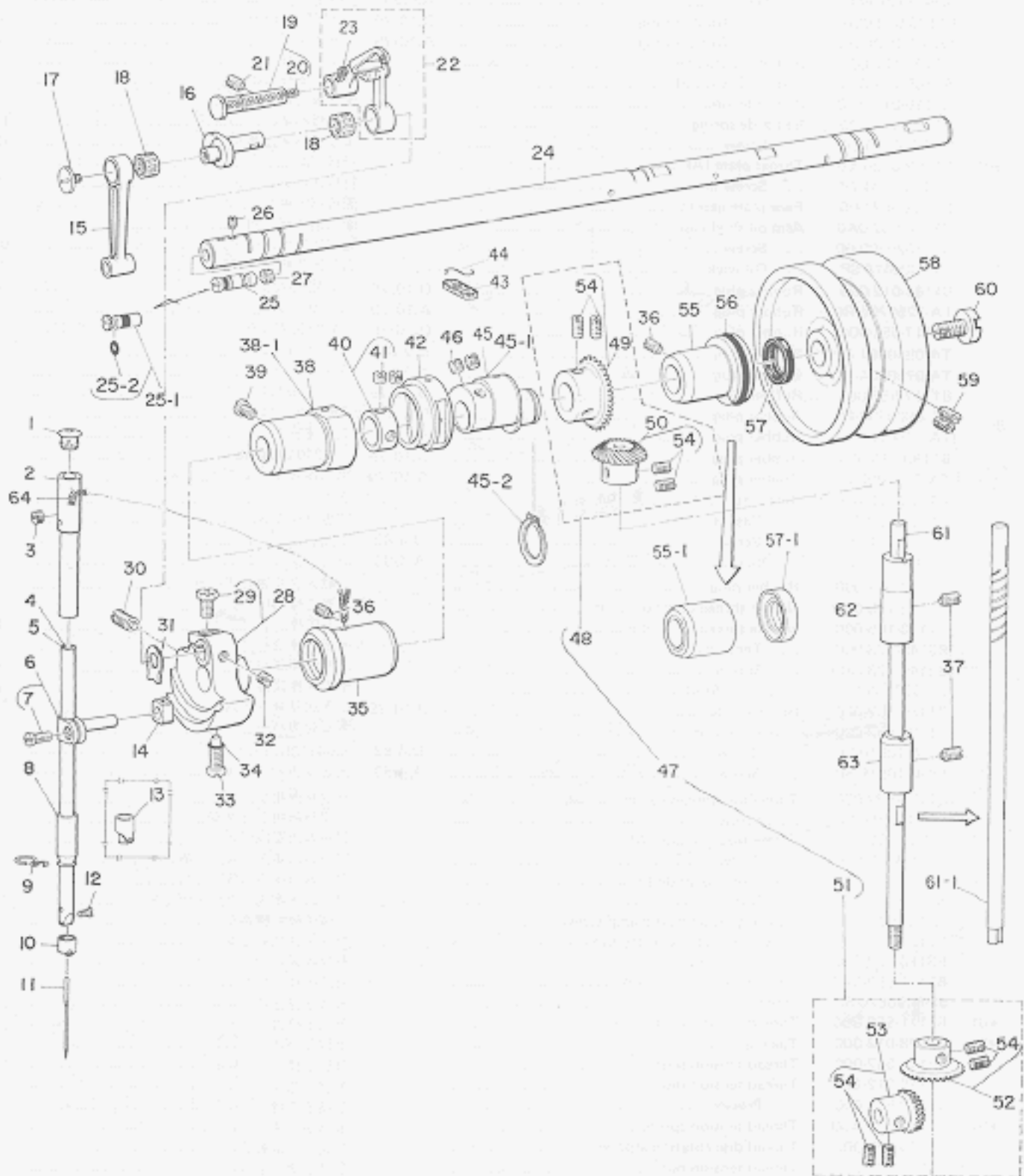
頭部・外装関係

| Ref. No. | Note | Part No. | Description | E.C. | 品名 | Amt. Req. |
|----------|------|-----------------|----------------------------------|---------|-----------------|-----------|
| | 注記 | 品番 | | 変更年月 | | 数量 |
| 1 | | B1121-552-0A0 | Face plate asm. | | | 1 |
| 2 | ☆ | SS-7111120-SP | ... Screw | D.4/83 | SS-4111015-SP | — |
| | ☆ | SS-4111015-SP | ... Screw | A.4/83 | 面板止ネジ | 3 |
| 3 | | B1179-552-000 | ... Rubber plug | D.10/79 | TA-1250406-R0 | — |
| | | TA-1250406-R0 | ... Rubber plug | A.10/79 | 穴キャップ | 2 |
| 4 | | B1104-122-000 | Bed screw stud (A) | | ベッド支柱 (A) | 1 |
| 5 | | B1105-122-000 | Bed screw stud (B) | | ベッド支柱 (B) | 1 |
| 6 | | B1110-012-0A0 | Bed slide asm. | | 滑り板 (組) | 1 |
| 7 | | B1111-012-000 | Bed slide spring | | 滑り板バネ | (1) |
| 8 | | SS-6060210-SP | ... Screw | | 滑り板バネ止ネジ | (2) |
| 9 | ◆01 | B1109-012-A00 | Throat plate (A) | | 針板 (A) | 1 |
| 10 | | SS-2110920-TP | ... Screw | | 針板止ネジ | 2 |
| 11 | | B1122-552-000 | Face plate gasket | | 面板パッキン | 1 |
| 12 | | B1188-552-0A0 | Arm oil shield asm. | | 面部油防板 (組) | 1 |
| 13 | | CQ-2020000-00 | ... Screw | | 面部油防板油心 | (0.1) |
| 14 | ◆01 | SS-6080410-SP | ... Oil wick | | 面部油防板止ネジ | 1 |
| 15 | | B1164-012-000 | Rubber plug | D.10/79 | TA-1250705-R0 | — |
| | | TA-1250705-R0 | Rubber plug | A.10/79 | 穴キャップ | 1 |
| 16 | | B1117-552-000 | Rubber plug | D.10/79 | TA-0800704-R0 | — |
| | | TA-0800704-R0 | Rubber plug | D.2/81 | TA-0750704-R0 | — |
| | | TA-0750704-R0 | Rubber plug | A.2/81 | 穴キャップ | 4 |
| 17 | | B1117-552-000 | Rubber plug | D.10/79 | TA-0800704-R0 | — |
| | | TA-0800704-R0 | Rubber plug | D.2/81 | TA-0750704-R0 | — |
| | | TA-0750704-R0 | Rubber plug | A.2/81 | 穴キャップ | 1 |
| 18 | | B1189-415-000 | Rubber plug | D.10/79 | TA-2101002-R0 | — |
| | | TA-2101002-R0 | Rubber plug | A.10/79 | 調節器穴キャップ | 1 |
| 19 | | B1118-522-000 | Side plate | | 窓板 | 1 |
| 20 | | B1119-522-000 | ... Gasket | | 窓板パッキン | 1 |
| 21 | ☆ | SS-7110910-SP | ... Screw | D.4/83 | SS-4110915-SP | — |
| | ☆ | SS-4110915-SP | ... Screw | A.4/83 | 窓板止ネジ | 8 |
| 22 | | B1187-552-000 | Rubber plug | | 上軸メタル油心穴キャップ | 1 |
| 23 | ◆01 | B1113-155-0A0 | Needle thread guide pin asm. | | 糸案内棒 (組) | 1 |
| 24 | | B1113-155-000 | Needle thread guide pin | | 糸案内棒 | (1) |
| 25 | | B3148-123-000 | ... Tension disc | | 糸案内棒皿 | (2) |
| 26 | | B3149-123-A00 | ... Spring | | 糸案内棒皿バネ | (1) |
| 27 | | SD-0380552-SL | ... Stud | | 糸案内棒皿軸 | (1) |
| 28 | | B1186-552-000 | Rubber plug | D.10/79 | 上下送りロッド穴キャップ | — |
| 29 | | B1123-552-000-A | Thread take-up lever cover | | 天ピンカバー | 1 |
| 30 | ☆ | SS-7110510-SP | ... Screw | D.4/83 | SS-4110515-SP | — |
| | ☆ | SS-4110515-SP | ... Screw | A.4/83 | 天ピンカバー止ネジ | 1 |
| 31 | | B1128-522-000 | Three-hole thread eyelet | | 三ツ目糸掛け | 1 |
| 32 | | SS-8110510-SP | ... Screw | | 三ツ目糸掛け止ネジ | 1 |
| 33 | ◆01 | B1126-552-000 | Frame thread guide (A) | | アーム糸案内 (A) | 1 |
| 34 | | SS-5090610-SP | ... Screw | | アーム糸案内 (A) 止ネジ | 1 |
| 35 | | B3114-761-000 | Frame thread guide (B) | | アーム糸案内 (B) | 1 |
| 36 | | NS-6060350-SP | ... Nut | | アーム糸案内 (B) 止ナット | 1 |
| 37 | | SS-8150710-SP | Thread tension post clamp screw | | 糸調子棒台締ネジ | 1 |
| 38 | | B3127-127-000 | Tension release auxiliary pin | | 糸ユルメ補助ピン | 1 |
| 39 | | B3118-552-C00 | Tension release pin | | 糸ユルメピン | 1 |
| 40 | | B3111-552-0A0 | Thread tension post asm. | | 糸調子棒 (組) | 1 |
| 41 | | SS-8090670-SP | Screw | | 糸調子棒止ネジ | (1) |
| 42 | ◆01 | B3111-552-B00 | Thread tension post socket | | 糸調子棒台 | (1) |
| 43 | ◆01 | B3128-012-000 | Take-up spring | | 糸取りバネ | (1) |
| 44 | | B3115-552-000 | Thread tension post | | 糸調子棒 | (1) |
| 45 | | B3126-012-000 | Thread tension disc | | 糸調子皿 | (2) |
| 46 | | B3132-552-000 | ... Presser | | 糸調子皿押エ | (1) |
| 47 | ◆01 | B3129-012-A00 | Thread tension spring | | 糸調子バネ | (1) |
| 48 | | B3120-125-000 | Thread disc rotation stopper | | 糸調子皿回転止 | (1) |
| 49 | | B3116-125-000 | Thread tension nut | | 糸調子ナット | (1) |
| 50 | | B1147-555-000 | Feed regulator pin | | 送り調節ピン | 1 |
| 51 | | B1148-555-000 | ... Spring | | 送り調節ピンバネ | 1 |
| 52 | | B1166-552-000-A | Hookshaft rubber plug | D.10/79 | TA-2351004-R0 | — |
| | | TA-2351004-R0 | Rubber plug | A.10/79 | 下軸盲蓋 | 1 |
| 53 | | B1106-122-000 | Bed support | | ベッド支持板 | 1 |
| 54 | | NS-6150310-SP | ... Nut | | ベッド支持板止ナット | 2 |
| 55 | | B1108-122-000 | Feed driving shaft support block | | 上下送り軸押エ板 | 1 |
| 56 | | SS-6092420-SP | ... Screw | | 上下送り軸押エ板止ネジ | 2 |
| 57 | | B1107-122-000 | Feed rock shaft support block | | 水平送り軸押エ板 | 1 |
| 58 | | SS-6091510-SP | ... Screw | | 水平送り軸押エ板止ネジ | 2 |

Note (注記) ◆01 Standard parts 標準部品

2. MAIN SHAFT, NEEDLE BAR COMPONENTS

上軸, 針棒關係

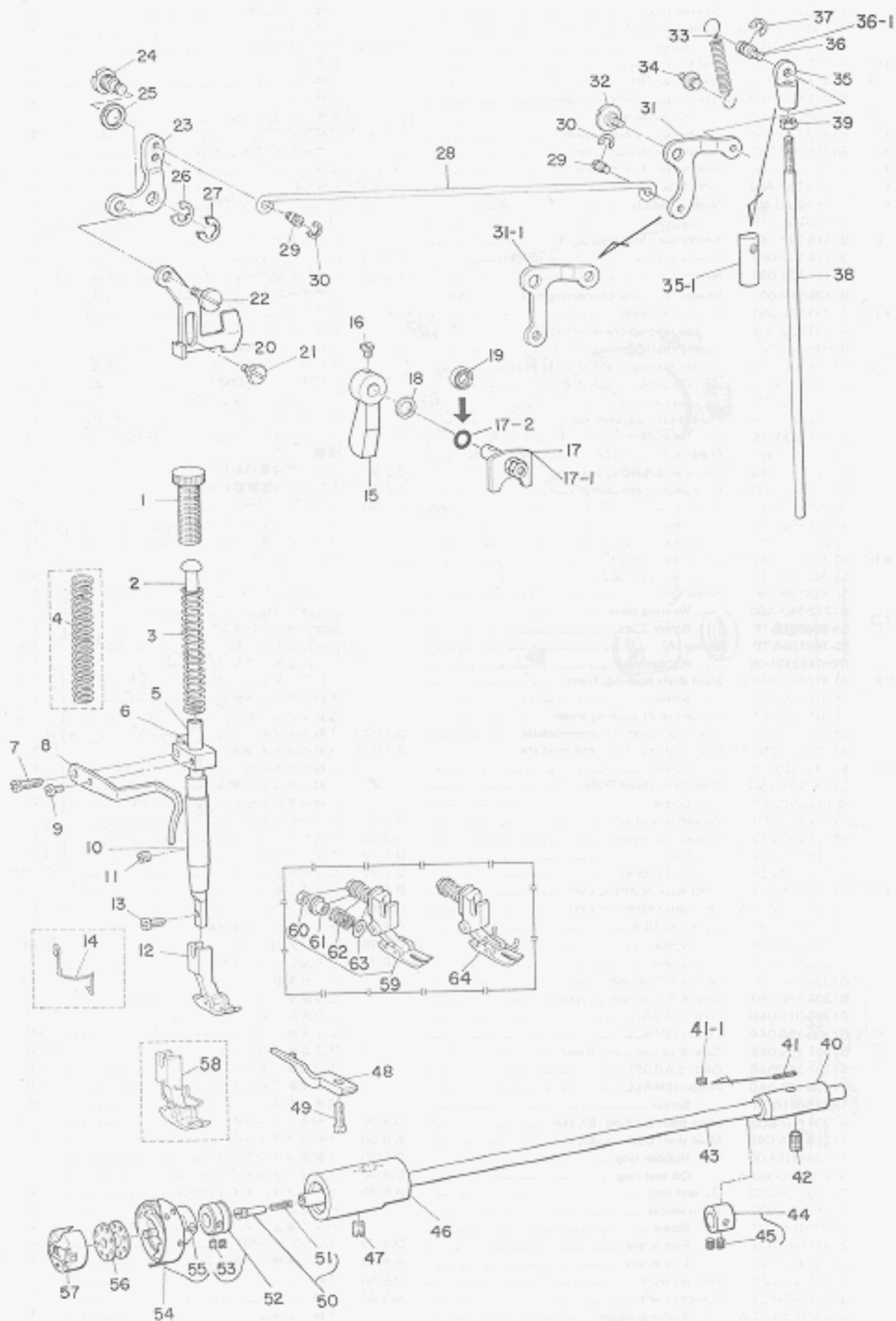


2. MAIN SHAFT, NEEDLE BAR COMPONENTS

上軸・針棒関係

| Ref. No. | Note | Part No. | Description | E.C. | 品名 | Amt. Req. |
|----------|------|-----------------|--------------------------------------|---------|----------------|-----------|
| | 注記 | 品番 | | 変更年月 | | 数量 |
| 1 | | B1405-012-000 | Rubber plug | | 針棒上メタル蓋 | 1 |
| 2 | | B1402-552-000-A | Needle bar bushing, upper | | 針棒上メタル | 1 |
| 3 | | SS-8150310-SP | Screw | M.4/78 | 針棒上メタル止ネジ | 1 |
| 4 | ●01 | B1401-552-A00 | Needle bar (A) | | 針棒 (A) | 1 |
| 5 | ○01 | B1401-552-B00 | Needle bar (B) | | 針棒 (B) | 1 |
| 6 | | B1411-552-0A0 | Needle bar connection asm. | | 針棒抱キ (組) | 1 |
| 7 | | SS-6090670-TP | Clamp screw | | 針棒抱キ締ネジ | (1) |
| 8 | ●01 | B1403-155-000 | Needle bar bushing, lower | | 針棒下メタル | 1 |
| 9 | ●01 | B1419-155-000 | Needle bar thread guide | | 針棒糸案内 | 1 |
| 10 | ●01 | B1418-541-000 | Needle bar thread guide | D.12/81 | B1418-552-A00 | — |
| | ●01 | B1418-552-A00 | Needle bar thread guide | A.12/81 | 針棒糸掛ケ | 1 |
| 11 | ●01 | MDB-100B1400 | Needle (DBx1) | | 針 (DB×1、#14) | 1 |
| 12 | | SS-7080510-TP | Screw | | 針止ネジ | 1 |
| 13 | ○01 | B1418-227-T00 | Needle bar thread guide (T) | | 針棒糸掛ケ (T) | 1 |
| 14 | ☆ | B1414-232-000 | Needle bar connection guide block | D.6/82 | B1414-555-000 | — |
| | ☆ | B1414-555-000 | Needle bar guide block | A.6/82 | 針棒抱キ案内コロ | 1 |
| 15 | | B1408-552-000 | Needle bar crank connecting rod | | 針棒クランクロッド | 1 |
| 16 | ●01 | B1209-552-000 | Needle bar crank | | 針棒クランク | 1 |
| 17 | | B1903-552-000 | Thread take-up crank left screw | | 天ビンクランク左ネジ | 1 |
| 18 | | B1905-541-B00 | Needle shaft bushing | | 天ビンニードル軸受 | 2 |
| 19 | | B1904-552-0A0 | Thread take-up crank shaft stud asm. | | 天ビンクランク軸 (組) | 1 |
| 20 | | CQ-2020000-00 | Oil wick | | 天ビンクランク軸油心 | (0.2) |
| 21 | | SS-8151150-SP | Screw | | 天ビンクランク軸止ネジ | 1 |
| 22 | | B1901-552-0C0 | Thread take-up lever asm. | | リンク天ビン (組) | 1 |
| 23 | | CQ-2000000-00 | Oil wick | | リンク天ビン油心 | (0.1) |
| 24 | | B1201-227-000 | Main shaft | | 上軸 | 1 |
| 25 | | B1213-552-0A0 | Crank oil adjusting pin | D.2/80 | クランク油量調節ピン | — |
| 25-1 | | B1213-552-0A0-A | Oil adjusting pin asm. | A.2/80 | クランク油量調節ピン (組) | 1 |
| 25-2 | | RO-0291801-00 | Rubber ring | A.2/80 | Oリング | 1 |
| 26 | | B1224-552-000 | Screw | | クランク油量調節ピン止ネジ | 1 |
| 27 | | B1226-552-000 | Regulating felt | | クランク油量制限フェルト | 1 |
| 28 | ●01 | B1206-552-0A0 | Counterweight asm. | | 釣合錘 (組) | 1 |
| 29 | | SS-9661120-CP | Clamp screw | | 針棒クランク締付ネジ | (1) |
| 30 | | SS-8681950-SP | Screw (B) | | 釣合錘止ネジ (B) | 1 |
| 31 | | B1212-552-A00 | Wearing plate | | 釣合錘保護板 | 1 |
| 32 | | SS-8660610-TP | Screw | | 針棒クランク止ネジ | 1 |
| 33 | | SS-7681650-TP | Screw (A) | | 釣合錘止ネジ (A) | 1 |
| 34 | | RO-0442401-00 | Rubber ring | | 釣合錘止ネジOリング | 1 |
| 35 | | B1202-552-000-A | Main shaft bushing, front | | 上軸前メタル | 1 |
| 36 | | SS-8151150-SP | Screw | | 上軸メタル止ネジ | 2 |
| 37 | | SS-8151150-SP | Uplight shaft bushing screw | | 立軸メタル止ネジ | 2 |
| 38 | | B1203-227-000 | Main shaft bushing, intermediate | D.11/79 | 上軸中メタル | — |
| 38-1 | | B1203-227-000-A | Main shaft bushing, intermediate | A.11/79 | 上軸中メタル | 1 |
| 39 | | SS-7151120-SP | Screw | | 上軸中メタル止ネジ | 1 |
| 40 | | CS-147121A-SH | Main shaft thrust collar | | 上軸スラスト受ケ | 1 |
| 41 | | SS-8660610-TP | Screw | | 上軸スラスト受ケ止ネジ | (2) |
| 42 | | B1211-226-000 | Forked rod sleeve | D.3/80 | B1211-227-000 | — |
| | | B1211-227-000 | Forked rod sleeve | A.3/80 | 二又サヤ | 1 |
| 43 | | B1212-012-000 | Felt | D.7/79 | 二又サヤフェルト | — |
| 44 | | B1213-012-000 | Felt presser | D.7/79 | 二又サヤフェルト押エ | — |
| 45 | ●01 | B1210-226-000 | Feed drive eccentric cam | D.4/80 | 送り偏心カム | — |
| 45-1 | | B1210-226-000-A | Feed drive eccentric cam | A.4/80 | 送り偏心カム | 1 |
| 45-2 | | RC-1850001-KP | Snap ring 18.5 | A.4/80 | 上下送りロッド止メ輪 | 1 |
| 46 | | SS-8150710-TP | Screw | D.8/78 | SS-8150710-SP | — |
| | | SS-8150710-SP | Screw | A.8/78 | 送り偏心カム止ネジ | 2 |
| 47 | | B1306-155-0C0 | Gear & Pinion asm. | | 上下傘歯車 (組) | 1 |
| 48 | | B1306-155-0B0 | Gear & Pinion asm., upper | | 上傘歯車 (組) | (1) |
| 49 | | B1305-012-0A0 | Gear (LARGE) | | 上傘歯車 (大) | (1) |
| 50 | | B1306-155-0A0 | Pinion (SMALL) | | 上傘歯車 (小) | (1) |
| 51 | | B1307-155-0B0 | Gear & pinion asm., lower | | 下傘歯車 (組) | (1) |
| 52 | | B1307-155-0A0 | Gear (LARGE) | | 下傘歯車 (大) | (1) |
| 53 | | B1308-155-0A0 | Pinion (SMALL) | | 下傘歯車 (小) | (1) |
| 54 | | SS-8660810-TP | Screw | | 歯車止ネジ | (8) |
| 55 | | B1204-552-B00 | Main shaft bushing (B), rear | D.9/80 | 上軸後メタル (B) | — |
| 55-1 | | D1204-555-D0B | Main shaft bushing (B), rear | A.9/80 | 上軸後メタル (B) | 1 |
| 56 | | RO-2943101-00 | Rubber ring | D.9/80 | 上軸後メタルOリング | — |
| 57 | | B1208-552-000-A | Oil seal ring | D.9/80 | 上軸後メタルオイルシール | — |
| 57-1 | | D1208-555-D00 | Oil seal ring | A.9/80 | 上軸後メタルオイルシール | 1 |
| 58 | | B1217-555-000 | Hand wheel | | ハズミ車 | 1 |
| 59 | | SS-8151550-SP | Screw | | ハズミ車止ネジ | 2 |
| 60 | | B1233-012-000 | End screw | D.4/79 | SS-7701010-SP | — |
| | | SS-7701010-SP | End screw | A.4/79 | ハズミ車押シ上げネジ | 1 |
| 61 | | B1301-552-000 | Upright shaft | D.9/80 | 立軸 | — |
| 61-1 | | B1301-555-000 | Upright shaft | A.9/80 | 立軸 | 1 |
| 62 | | B1302-552-000-A | Bushing, upper | | 立軸上メタル | 1 |
| 63 | | B1303-552-000-A | Bushing, lower | | 立軸下メタル | 1 |
| 64 | ☆ | CQ-2020000-00 | Oil wick | D.7/82 | 針棒給油油心 | — |

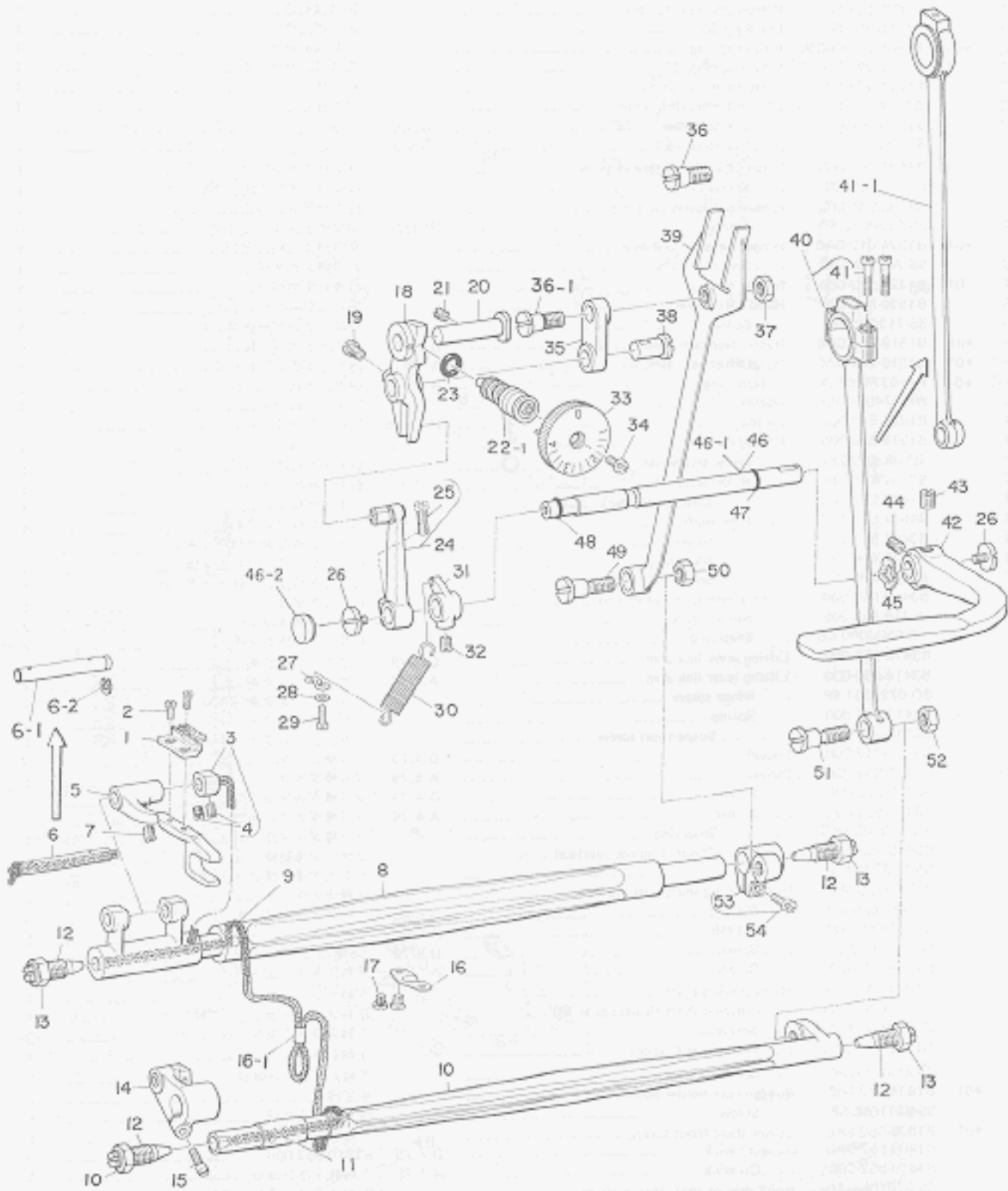
3. HOOK DRIVING SHAFT, PRESSER BAR, KNEE LIFTER COMPONENTS 下軸, 押工棒, 膝上ゲ関係



3. HOOK DRIVING SHAFT, PRESSER BAR, KNEE LIFTER COMPONENTS 下軸・押エ棒・膝上げ関係

| Ref. No. | Note | Part No. | Description | E.C. | 品名 | Amt. Req. |
|----------|------|-----------------|------------------------------------------|---------|-------------------|-----------|
| | 注記 | 品番 | | 変更年月 | | 数量 |
| 1 | | B1509-227-000 | Presser spring regulator | | 押エ調節ネジ | 1 |
| 2 | | B1510-227-000 | Presser guide bar | | 押エ案内棒 | 1 |
| 3 | ●01 | B1505-227-000-A | Presser spring | | 押エ調節バネ | 1 |
| 4 | ○01 | B1505-227-T00-A | Presser spring (T) | | 押エ調節バネ (T) | 1 |
| 5 | | B1501-127-000 | Presser bar | | 押エ棒 | 1 |
| 6 | | B1507-552-000 | Presser bar guide bracket | | 押エ棒抱キ | 1 |
| 7 | ○ | SS-7111410-SP | ... Clamp screw | D.4/83 | SS-4111415-SP | — |
| | ○ | SS-4111415-SP | ... Clamp screw | A.4/83 | 押エ棒抱キ締ネジ | 1 |
| 8 | | B1521-552-000 | Presser bar clamp thread guide | | 押エ棒抱キ糸案内 | 1 |
| 9 | | SS-6090650-SP | ... Screw | | 押エ棒抱キ糸案内止ネジ | 1 |
| 10 | | B1502-541-000 | Presser bar lower bushing | | 押エ棒下メタル | 1 |
| 11 | | SS-8150310-SP | ... Screw | D.4/78 | 押エ棒下メタル止ネジ | — |
| 12 | ●01 | B1524-012-0A0 | Hinged presser foot asm. | | 自由押エ (組) | 1 |
| 13 | | SS-7091110-SP | ... Screw | | 自由押エ止ネジ | 1 |
| 14 | ○01 | B1421-522-000 | Needle bar guard | | 針棒安全カバー | 1 |
| 15 | | B1520-552-000 | Hand lifter lever | | 押エ上ゲレバー | 1 |
| 16 | | SS-7120910-SP | ... Screw | | 押エ上ゲレバー止ネジ | 1 |
| 17 | ●01 | B1518-552-0A0 | Hand lifter cam asm. | D.11/76 | 押エ上ゲカム (組) | — |
| 17-1 | ●01 | B1518-481-0A0 | Hand lifter cam asm. | A.11/76 | 押エ上ゲカム (組) | 1 |
| 17-2 | ●01 | RO-0371801-00 | Rubber ring | A.11/76 | 押エ上ゲ軸Oリング | 1 |
| 18 | | WP-0740516-SP | Washer | | 押エ上ゲ軸座金 | 1 |
| 19 | | B1522-552-000 | Oil seal | D.11/76 | 押エ上ゲ軸オイルシール | — |
| 20 | | B1515-552-000 | Lifting lever | | 引キ上ゲ板 | 1 |
| 21 | | SD-0630275-SP | ... Hinge screw (A) | | 引キ上ゲ板段ネジ (A) | 1 |
| 22 | | SD-0630301-SP | ... Hinge screw (B) | | 引キ上ゲ板段ネジ (B) | 1 |
| 23 | | B1516-552-000 | ... Lifting lever link | | 引キ上ゲ板リンク | 1 |
| 24 | | B1517-552-000 | ... Link shaft | | 引キ上ゲ板リンク軸 | 1 |
| 25 | | B3431-581-000 | ... Gasket | | 引キ上ゲ板リンク軸パッキン | 1 |
| 26 | | RE-0600000-K0 | ... Snap ring | | 引キ上ゲ板リンク軸止メ環 | 1 |
| 27 | | B1523-226-000 | ... Snap ring (B) | | 引キ上ゲ板リンク軸止メ環 (B) | 1 |
| 28 | | B3412-552-000 | Lifting lever connecting rod | | ヒザ上ゲ横棒 | 1 |
| 29 | | B3416-552-000 | ... Hinge screw | | ヒザ上ゲ横棒段ネジ | 2 |
| 30 | | RE-0500000-K0 | ... Snap ring | | ヒザ上ゲ横棒止メ環 | 2 |
| 31 | | B3414-552-000 | Lifting lever link arm | D.4/79 | ヒザ上ゲリンク腕 | — |
| 31-1 | | B3414-555-000 | Lifting lever link arm | A.4/79 | ヒザ上ゲリンク腕 | 1 |
| 32 | | SD-0720331-SP | ... Hinge screw | | ヒザ上ゲリンク腕段ネジ | 1 |
| 33 | | B3417-552-000 | ... Spring | | ヒザ上ゲリンク腕バネ | 1 |
| 34 | | B3413-227-000 | ... Suspension screw | | ヒザ上ゲリンク腕バネ掛ケ軸 | 1 |
| 35 | | B3416-012-000 | Swivel | D.4/79 | ツリ棒ダルマ | — |
| 35-1 | | B3416-555-000 | Swivel | A.4/79 | ツリ棒ダルマ | 1 |
| 36 | | B3418-552-000 | ... Screw | D.4/79 | ツリ棒ダルマ止ネジ | — |
| 36-1 | | B3418-555-000 | ... Screw | A.4/79 | ツリ棒ダルマ止ネジ | 1 |
| 37 | | RE-0500000-K0 | ... Snap ring | | ツリ棒ダルマ止ネジ止メ環 | 1 |
| 38 | | B3415-552-000 | ... Connecting rod, vertical | | ヒザ上ゲ連結棒 | 1 |
| 39 | | NS-6620310-SP | ... Nut | | ヒザ上ゲ連結棒ナット | 1 |
| 40 | | B1804-226-000 | Hook driving shaft bushing, rear | | 下軸後メタル | 1 |
| 41 | | B1806-038-000 | ... Oil felt | D.6/80 | 下軸後メタルフェルト | — |
| 41-1 | | B1806-555-000 | ... Oil felt | A.6/80 | 下軸メタルフェルト | 1 |
| 42 | | SS-8151550-SP | ... Screw | D.8/79 | SS-8151230-SP | — |
| | | SS-8151230-SP | ... Screw | A.8/79 | 下軸後メタル止ネジ | 1 |
| 43 | | B1801-412-000 | Hook driving shaft | | 下軸 | 1 |
| 44 | | CS-0791010-SH | Hook driving shaft thrust collar (B) | | 下軸スラスト受ケ (B)(組) | 1 |
| 45 | | SS-8110520-TP | ... Screw | | 下軸スラスト受ケ (B) 止ネジ | (2) |
| 46 | | B1802-412-0A0 | ... Bushing asm, front | | 下軸前メタル | 1 |
| 47 | | SS-8151150-SP | ... Screw | | 下軸前メタル止ネジ | 1 |
| 48 | ●01 | B1835-012-000 | Bobbin case holder positioning finger | | 中蓋押エ | 1 |
| 49 | | SS-6111010-SP | ... Screw | | 中蓋押エ止ネジ | 1 |
| 50 | ●01 | B1808-552-0A0 | Lower shaft front screw | | 下軸前止ネジ | 1 |
| 51 | | B1809-552-0A0 | ... Oil wick | D.7/75 | B1810-552-000 | — |
| | | B1810-552-000 | ... Oil wick | A.7/75 | 下軸前止ネジ油心 | 1 |
| 52 | | CS-079106A-SH | Hook driving shaft thrust collar | | 下軸スラスト受ケ (組) | 1 |
| 53 | | SS-8110410-TP | ... Screw | | 下軸スラスト受ケ止ネジ | (2) |
| 54 | ●01 | B1830-127-0A0 | Lubricating hook asm. | | 給油釜 (組) | 1 |
| 55 | | SS-6110560-TP | ... Screw | | 外蓋止ネジ | (2) |
| 56 | ●01 | B1837-012-0A0 | Bobbin case asm. | | ボビンケース (組) | 1 |
| 57 | ●01 | B9117-012-000 | Bobbin | | ボビン | 1 |
| 58 | ●01 | B1524-012-0B0 | Hinged presser foot asm. | A.3/76 | 自由押エ (組) | 1 |
| 59 | ○01 | B1524-227-AA0 | Sliding presser foot asm. | A.10/78 | スライディング押エ(組) | 1 |
| 60 | ○01 | NS-6110310-SP | ... Nut | A.11/81 | 調節ネジナット | (1) |
| 61 | ○01 | B1533-481-C00 | Adjusting screw | A.10/78 | 調節ネジ | (1) |
| 62 | ○01 | B1536-481-C00 | Spring | A.10/78 | 押エテコバネ | (1) |
| 63 | ○01 | WP-0550800-SP | ... Washer | A.11/81 | バネ受ケ座金 | (1) |
| 64 | ○01 | B1524-227-AB0 | Sliding presser foot asm. (FINGER GUARD) | A.10/78 | スライディング押エ(組)指ガード付 | 1 |

Note (注記) ○01 Special order part 特別注文部品



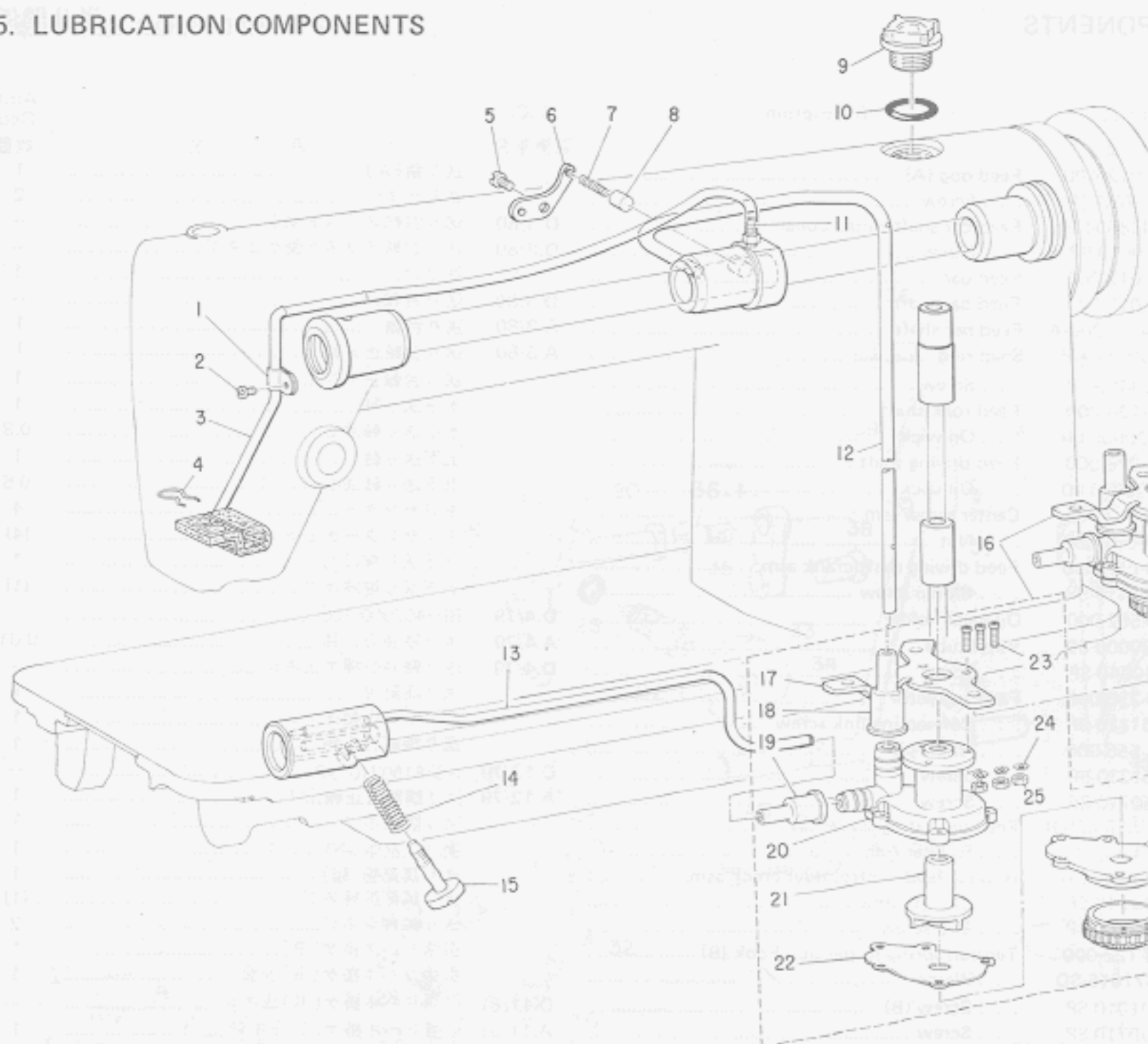
4. FEED COMPONENTS

送り関係

| Ref. No. | Note | Part No. | Description | E.C. | 品名 | Amt. Req. |
|----------|------|-----------------|---------------------------------------------|---------|-----------------------|-----------|
| | 注記 | 品番 | | 変更年月 | | 数量 |
| 1 | ◆01 | B1613-012-A00 | Feed dog (A) | | 送り歯(A) | 1 |
| 2 | | SS-4080620-TP | ... Screw | | 送り止ネジ | 2 |
| 3 | | CS-0640860-SH | Feed bar shaft thrust collar | D.3/80 | 送り台軸スラスト受ケ | — |
| 4 | | SS-8110510-SP | ... Screw | D.3/80 | 送り台軸スラスト受ケ止ネジ | — |
| 5 | | B1602-012-000 | Feed bar | | 送り台 | 1 |
| 6 | | B1604-012-000 | Feed bar shaft | D.3/80 | 送り台軸 | — |
| 6-1 | | B1604-012-000-A | Feed bar shaft | A.3/80 | 送り台軸 | 1 |
| 6-2 | | RE-0500711-KP | Snap ring | A.3/80 | 送り台軸止メ輪 | 1 |
| 7 | | SS-8620610-TP | ... Screw | | 送り台軸止ネジ | 1 |
| 8 | | B1601-226-000 | Feed rock shaft | | 水平送り軸 | 1 |
| 9 | | CQ-2020000-00 | ... Oil wick | | 水平送り軸油心 | 0.8 |
| 10 | | B1703-226-000 | Feed driving shaft | | 上下送り軸 | 1 |
| 11 | | CQ-2020000-00 | ... Oil wick | | 上下送り軸油心 | 0.6 |
| 12 | | B1113-012-000 | Center screw asm. | | ネジセンター | 4 |
| 13 | | NS-6740510-SP | ... Nut | | ネジセンターナット | (4) |
| 14 | | B1706-012-0B0 | Feed driving shaft crank asm. | | 上下送り腕(組) | 1 |
| 15 | | SS-7111410-SP | ... Clamp screw | | 上下送り腕締ネジ | (1) |
| 16 | | B1635-552-000 | Oil wick holder | D.4/79 | BP-4000000-00 | — |
| 16-1 | | BP-4000000-00 | Vinyl tube | A.4/79 | 送り軸油心止具 | 0.01 |
| 17 | | SS-7110540-SP | ... Screw | D.4/79 | 送り軸油心押エ止ネジ | — |
| 18 | | B1620-226-000 | Feed regulator | | 送り調節台 | 1 |
| 19 | | SS-6661110-SP | ... Connecting link screw | | 二又リンク軸止ネジ | 1 |
| 20 | | B1622-555-000 | ... Hinge pin | | 送り調節台止軸 | 1 |
| 21 | | SS-8151230-SP | ... Screw | D.12/79 | SS-8150710-SP | — |
| | | SS-8150710-SP | ... Screw | A.12/79 | 送り調節台止軸止ネジ | 1 |
| 22-1 | | B1634-555-000-B | Feed regulating screw | | 送り調節ネジ | 1 |
| 23 | | RO-0742401-00 | ... Rubber ring | | 送り調節ネジOリング | 1 |
| 24 | | B1627-226-0B0 | Reverse feed control lever crank asm. | | 送り調節腕(組) | 1 |
| 25 | | SS-6121210-SP | ... Clamp screw | | 送り調節腕締ネジ | (1) |
| 26 | | SS-7620750-SP | ... End screw | | 送り軸押シネジ | 2 |
| 27 | | B1648-122-000 | Tension spring suspension hook (B) | | 引張りバネ掛ケ(B) | 1 |
| 28 | | WP-0371016-SD | ... Washer | | 引張りバネ掛ケ(B)座金 | 1 |
| 29 | | SS-4091010-SP | ... Screw (B) | D.11/81 | 引張りバネ掛ケ(B)止ネジ | — |
| | | SS-7090710-SP | ... Screw | A.11/81 | 引張りバネ掛ケ(B)止ネジ | 1 |
| 30 | | B1646-122-000 | Tension spring | | 引張りバネ | 1 |
| 31 | | B1647-226-000 | ... Suspension bracket (A) | | 引張りバネ掛ケ(A) | 1 |
| 32 | | SS-8150710-SP | ... Screw (A) | | 引張りバネ掛ケ(A)止ネジ | 1 |
| 33 | ◆01 | B1623-555-0A0-A | Stitch dial asm. | D.4/79 | B1623-555-000-A | — |
| | | B1623-555-000-A | Stitch dial | A.4/79 | 目盛板 | 1 |
| 34 | | SS-6121050-SP | ... Screw | D.4/79 | SS-6120930-SP | — |
| | | SS-6120930-SP | ... Screw | A.4/79 | 目盛板止ネジ | 1 |
| 35 | | B1619-226-000 | Feed regulator connecting link | D.3/80 | B1619-227-000 | — |
| | | B1619-227-000 | Feed regulator connecting link | A.3/80 | 二又リンク | 1 |
| 36 | | SD-0950802-SP | ... Hinge screw | D.5/76 | 二又リンク段ネジ | 1 |
| 36-1 | | SD-0950802-SH | ... Hinge screw | A.5/76 | 二又リンク段ネジ | 1 |
| 37 | | NS-6680410-SP | ... Nut | | 二又リンク段ネジナット | 1 |
| 38 | | B1618-226-000 | ... Hinge pin | | 二又リンク軸 | 1 |
| 39 | | B1613-125-000 | Pitman | | 二又ロッド | 1 |
| 40 | | B1701-125-0A0 | Feed driving shaft connecting rod asm. | D.3/80 | 上下送りロッド(組) | — |
| 41 | | SS-6121610-SP | ... Clamp screw | D.3/80 | 上下送りロッド蓋締ネジ | — |
| 41-1 | | B1701-227-000 | Feed driving shaft connecting rod | A.3/80 | 上下送りロッド | 1 |
| 42 | | B1624-555-000 | Reverse feed control lever | | 送りレバー | 1 |
| 43 | | SS-8660970-TP | ... Screw (A) | | 送りレバー止ネジ(A) | 1 |
| 44 | | SS-8660810-TP | ... Screw (B) | | 送りレバー止ネジ(B) | 1 |
| 45 | | WZ-1052010-KP | ... Washer | | 送りレバー座金 | 1 |
| 46 | | B1621-226-000 | ... Shaft | D.8/81 | 送り調節レバー軸 | — |
| 46-1 | | B1621-226-000-A | ... Shaft | A.8/81 | 送り調節レバー軸 | 1 |
| 46-2 | | TA-1750502-R0 | Rubber plug | A.8/81 | 送り調節レバー軸穴キャップ | 1 |
| 47 | | RO-0691801-00 | ... Rubber ring, large | | 送りレバー軸Oリング(大) | 1 |
| 48 | ☆ | RO-0611801-00 | ... Rubber ring, small | D.7/82 | 送りレバー軸Oリング(小) | — |
| 49 | | SD-1020961-SP | Hinge | | 二又ロッド段ネジ | 1 |
| 50 | | NS-6680410-SP | ... Nut | | 二又ロッド段ネジナット | 1 |
| 51 | | SD-1020961-SP | ... Hinge pin | | 上下送りロッド段ネジ | 1 |
| 52 | | NS-6680410-SP | ... Nut | | 上下送りロッド段ネジナット | 1 |
| 53 | | B1607-226-0A0 | Feed rock shaft crank asm. | | 水平送り腕(組) | 1 |
| 54 | | SS-7111310-SP | ... Screw | | 水平送り腕止ネジ | (1) |

Note (注記) ◆01 Standard parts 標準部品

5. LUBRICATION COMPONENTS



| Ref. No. | Note | Part No. | Description | E.C. | 品名 |
|----------|------|-----------------|----------------------------|---------|---------------|
| | 注記 | 品番 | | 変更年月 | |
| 1 | | B3536-122-000 | Oil return tube holder | | 還流パイプ押エ |
| 2 | ☆ | SS-7110710-SP | Screw 11/64-40 L=7 | D.4/83 | SS-4110715-SP |
| | ☆ | SS-4110715-SP | Screw 11/64 L=7 | A.4/83 | 還流パイプ押エ止ネジ |
| 3 | | B3526-552-0A0 | Oil return tube asm. | | 還流フェルト(粗) |
| 4 | | B3529-226-000 | Oil felt presser | | 還流フェルト押エ |
| 5 | | SS-7110910-SP | Screw 11/64-40 L=8.5 | D.10/80 | SS-7110710-SP |
| | ☆ | SS-7110710-SP | Screw 11/64-40 L=7 | D.4/83 | SS-4110715-SP |
| | ☆ | SS-4110715-SP | Screw 11/64-40 L=7 | A.4/83 | プランジャー押エ金具止ネジ |
| 6 | | B3524-552-000 | Plunger thrust plate | | プランジャー押エ 金具 |
| 7 | | B1214-038-000 | Plunger spring | | プランジャー押エ バネ |
| 8 | | B3534-155-000 | Oil return pump plunger | | 還流ポンププランジャー |
| 9 | | B3530-555-000 | Oil sight window | | 油窓 |
| 10 | | RO-1952401-00 | Rubber ring | | Oリング |
| 11 | | SQ-1110402-MZ | Connecting screw | | パイプ連結ネジ |
| 12 | | B3513-227-000-A | Main shaft oil tube | | 上軸給油パイプ |
| 13 | | B3521-555-000 | Oil tube | | 釜給油パイプ |
| 14 | | B2616-372-000 | Spring | | 油量調節ネジ バネ |
| 15 | | B3514-412-000 | Oil adjusting screw | | 下軸前メタル油量調節ネジ |
| 16 | | B3501-555-0A0 | Lubricating oil pump asm. | | 給油ポンプ体(組) |
| 17 | | B3503-555-000 | Oil pump installing base | | 給油ポンプ取付板 |
| 18 | | B3505-555-000 | Rubber joint | | 上軸給油パイプ継手 |
| 19 | | B3506-555-000 | Rubber joint | | 釜給油パイプ継手 |
| 20 | | B3501-555-000 | Lubricating oil pump | | 給油ポンプ体 |
| 21 | | B3507-555-000 | Oil pump impeller | | 羽車 |
| 22 | | B3508-555-000 | Oil pump impeller cover | | 羽車受板 |
| 23 | | SM-4031001-SC | Screw M3x0.5 L=10 | | 給油ポンプ取付板止ネジ |
| 24 | | WT-0320002-KZ | Washer | | 給油ポンプ取付板止座金 |
| 25 | | NM-6030000-0E | Nut M3x0.5 | | 給油ポンプ取付板止ナット |
| 26 | | B3502-555-000 | Lubricating oil pump cover | | 給油ポンプ蓋 |
| 27 | | SE-4301031-SR | Screw | | 給油ポンプ蓋止ネジ |
| 28 | | B3504-555-000 | Filter | | フィルター |
| 29 | | SS-6120930-SP | Screw 3/16-28 L=9 | D.12/81 | SS-6120940-SP |
| | ☆ | SS-6120940-SP | Screw 3/16-28 L=9 | D.4/83 | SS-4120915-SP |
| | ☆ | SS-4120915-SP | Screw 3/16-28 L=9 | A.4/83 | 給油ポンプ体止ネジ |

ARTS Import Error:

Application error: LZW minimum code size other than 8 bit not supported in GIF file 'E:\www\images\PartsBook\juki\DDL-227\0010.gif'

EXCLUSIVE PARTS LIST OF DDL-227 SUBCLASS SEWING MACHINES

DDL-227 サブクラス専用部品一覧表

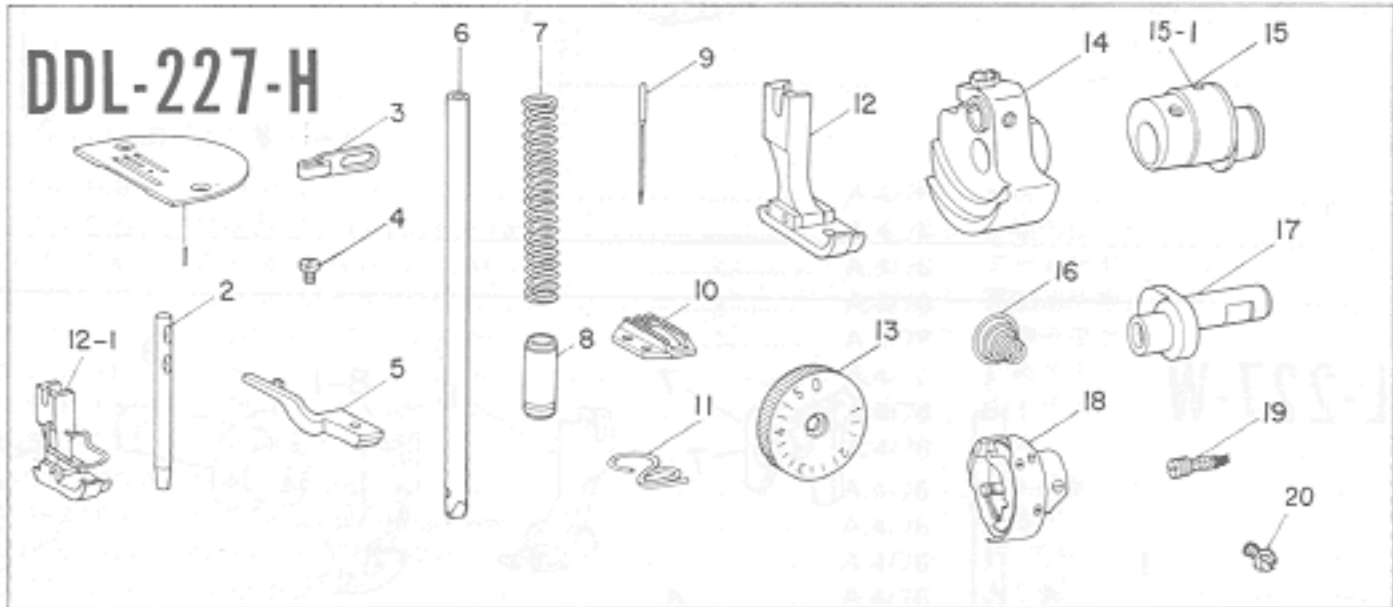
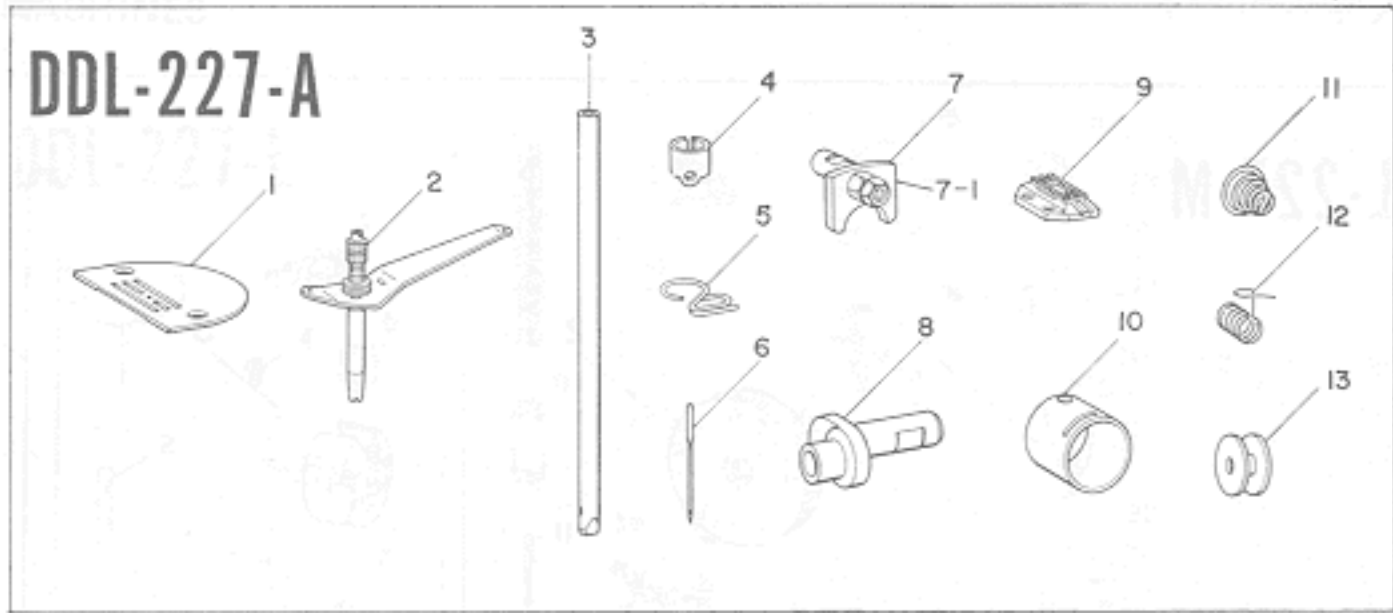
| | Description | DDL-227 Standard 標準 | DDL-227-A For light weight materials 薄物用 | DDL-227-W For P.P. P. P 用 | DDL-227-H For heavy weight materials 厚物用 | DDL-227-M For 5mm feed 送り量 5mm用 | DDL-227-L For 7mm feed 送り量 7mm用 | 品名 |
|----|------------------------------|---------------------------|---------------------------------------------------|---------------------------------|---------------------------------------------------|---------------------------------------|---------------------------------------|-------------|
| 1 | Throat plate | B1109-012-A00 | B1109-012-i00 | D1109-155-W00 | B1109-555-H0B | * | B1109-555-H0B | 針板 |
| 2 | Needle thread guide pin asm. | B1113-155-0A0 | D1113-126-WA0 | D1113-126-WA0 | B1114-012-000 | * | B1114-012-000 | 糸案内棒 (組) |
| 3 | Frame thread guide (A) | B1126-552-000 | * | * | B1126-553-000 | * | B1126-553-000 | アーム糸案内 (A) |
| 4 | Counterweight asm. | B1206-552-0A0 | * | * | B1206-553-0A0 | * | B1206-553-0A0 | 釣合錘 (組) |
| 5 | Needle bar crank | B1209-552-000 | B1209-552-A00 | B1209-552-A00 | B1209-553-000 | * | B1209-553-000 | 針棒クランク |
| 6 | Needle bar | B1401-552-A00 | B1401-552-D00-A | B1401-552-D00-A | B1401-552-i00 | B1401-227-M00 | B1401-552-i00 | 針棒 |
| 7 | Needle bar bushing, lower | B1403-155-000 | * | * | B1403-553-000 | * | B1403-553-000 | 針棒下メタル |
| 8 | Needle bar thread guide | B1418-541-000 | B1418-552-B00 | B1418-552-B00 | ————— | * | B1418-227-L00 | 針棒糸掛ケ |
| 9 | Needle bar thread guide | B1419-155-000 | B1419-553-000 | B1419-553-000 | B1419-553-000 | * | B1419-553-000 | 針棒糸案内 |
| 10 | Presser spring | B1505-227-000-A | * | * | B1505-552-000-A | * | B1505-552-000-A | 押エ調節バネ |
| 11 | Hand lifter cam asm. | B1518-481-0A0 | B1518-552-AA0-A | B1518-552-AA0-A | * | * | * | 押エ上げカム (組) |
| 12 | Hinged presser foot asm. | B1524-012-0A0 | * | D1524-126-WA0 | B1511-543-BA0 | * | B1524-041-EA0 | 自由押エ (組) |
| | | B1524-012-0B0 | | D1524-126-WB0 | B1511-543-BB0 | | B1524-041-EB0 | |
| 13 | Feed dog | B1613-012-A00 | B1613-012-i00 | D1613-155-W00 | B1613-555-H00 | * | B1609-201-000-A | 送り |
| 14 | Stitch dial asm. | B1623-555-0A0-A | * | * | B1623-227-HA0-A | B1623-227-HA0-A | B1623-227-LA0 | 目盛板 (組) |
| 15 | Lubricating hook asm. | B1830-127-0A0 | * | * | B1830-555-HA0 | * | B1830-555-HA0 | 給油釜 (組) |
| 16 | Bobbin case holder | B1835-012-000 | * | * | B1835-555-H00 | * | B1835-555-H00 | 中釜押エ |
| 17 | Thread tension post socket | B3111-552-B00 | B3111-126-000 | B3111-126-000 | * | * | * | 糸調子棒台 |
| 18 | Thread tension spring | B3129-012-A00 | B3121-352-000 | B3121-352-000 | B3114-232-000 | * | B3114-232-000 | 糸調子バネ |
| 19 | Take-up spring | B3128-012-000 | B3128-027-000 | B3128-027-000 | * | * | * | 糸取りバネ |
| 20 | Bobbin | B9117-012-000 | B9117-552-A00 | B9117-552-A00 | * | * | * | ボビン |
| 21 | Needle | MDB-100B1400 | MDA-100B0900 | MDA-100B1100 | MDB-100B2200 | * | MDB-100B2200 | 針 |
| 22 | Arm oil shield screw | SS-6080410-SP | * | * | SS-6080320-SP | * | SS-6080320-SP | 面部油防板止ネジ |
| 23 | Lower shaft front screw asm. | B1808-552-0A0 | * | * | B1808-227-HA0 | * | B1808-227-HA0 | 下軸前止ネジ (組) |
| 24 | Feed drive eccentric cam | B1210-226-000-A | * | * | B1210-227-H00-A | * | B1210-227-H00-A | 送り偏心カム |
| 25 | Bobbin case | B1837-012-0A0 | * | * | * | D1837-555-BAA | * | ボビンケース |
| 26 | Feed rock shaft crank asm. | B1607-226-0A0 | * | * | * | * | B1607-201-0A0 | 水平送り腕 (組) |
| 27 | Pitman | B1613-125-000 | * | * | * | * | B1613-201-000 | 二又ロッド |
| 28 | . . . Pin | ————— | ————— | ————— | ————— | ————— | B1611-155-000-A | 二又ロッド止メ軸 |
| 29 | . . . Hinge | SD-1020961-SP | * | * | * | * | ————— | 二又ロッド段ネジ |
| 30 | . . . Screw | ————— | ————— | ————— | ————— | ————— | SS-7110910-SP | 二又ロッド止メ軸止ネジ |
| 31 | . . . Nut | NS-6680410-SP | * | * | * | * | ————— | 二又ロッド段ネジナット |
| 32 | Feed regulator | B1620-226-000 | * | * | * | * | B1620-227-L00 | 送り調節台 |

Note (注記) Parts marked with * are same as standard parts

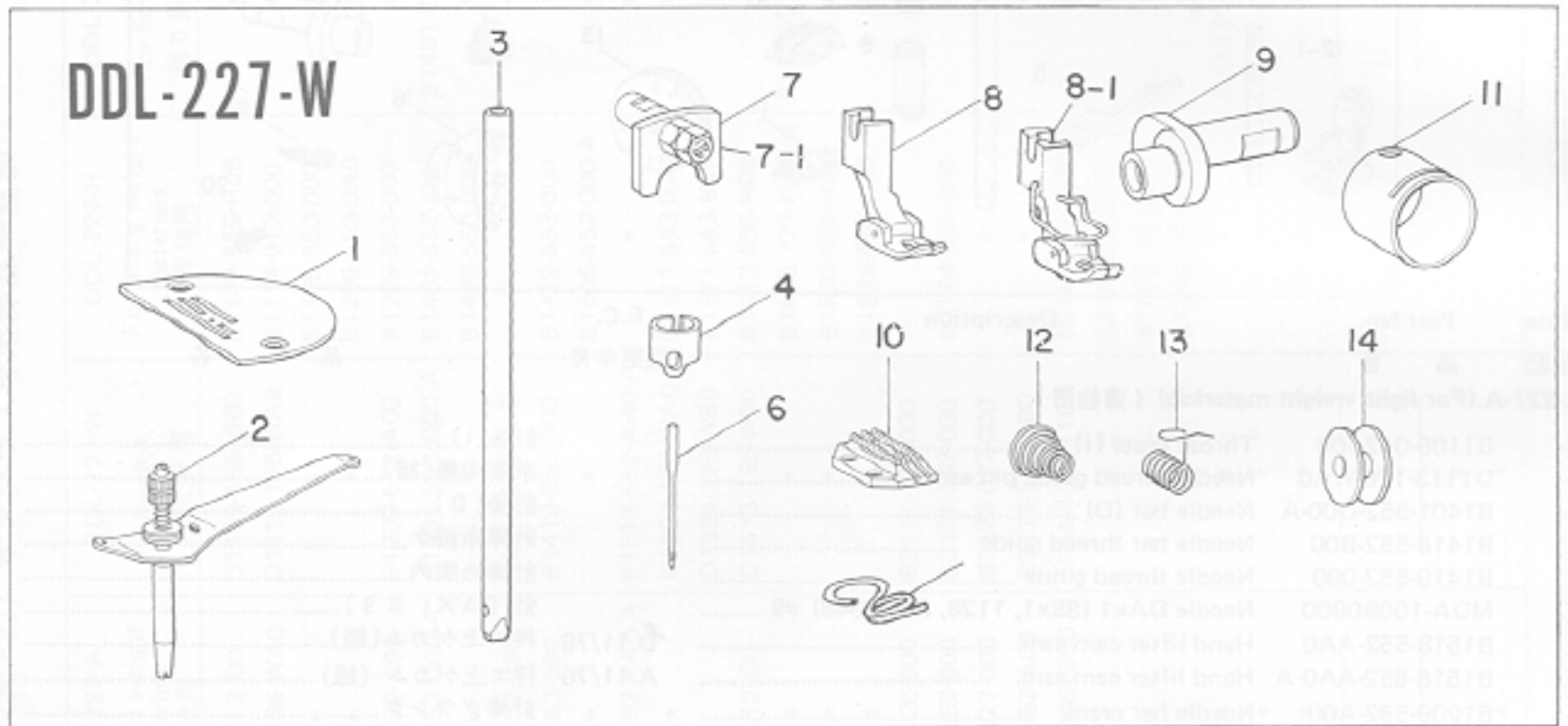
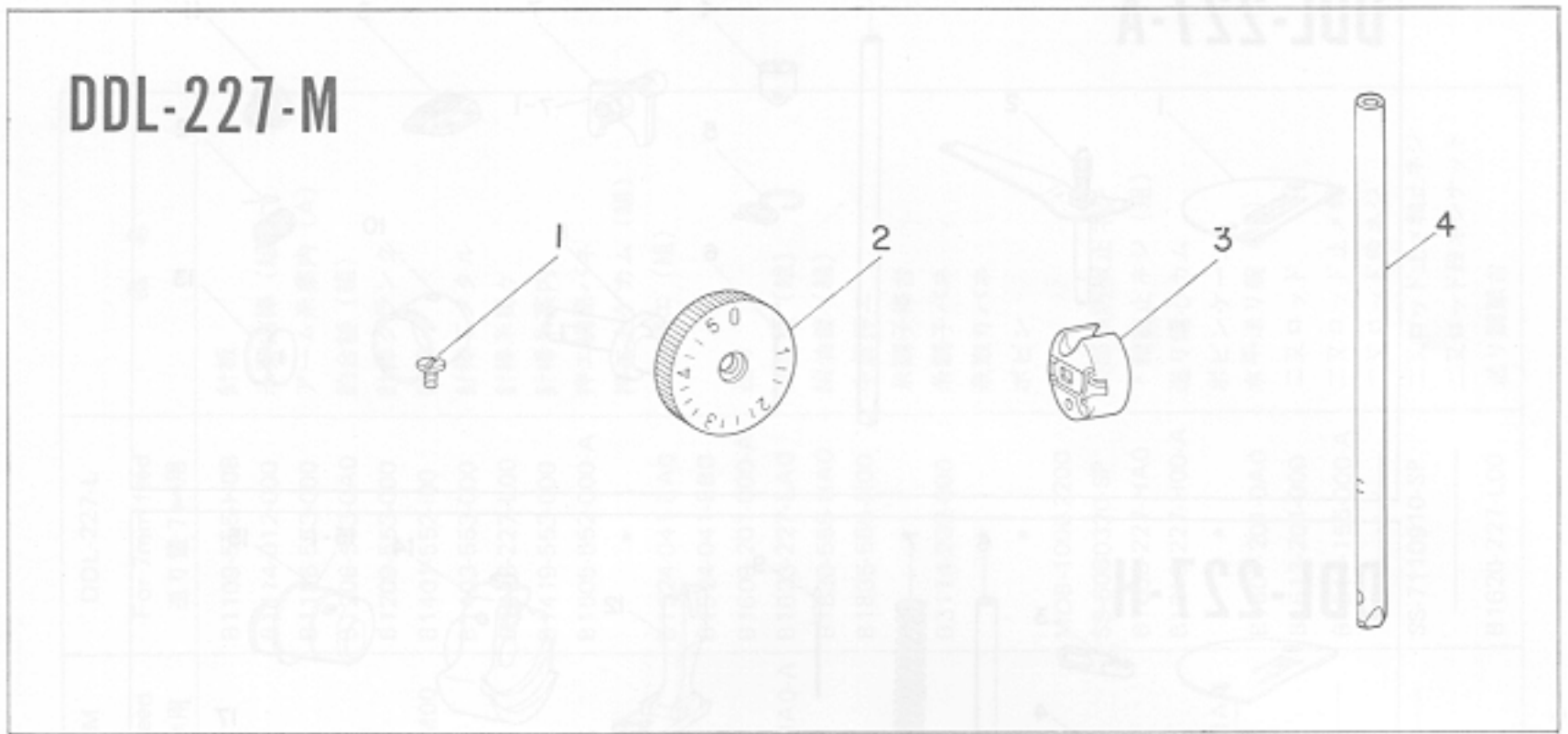
————— Parts to be removed

* 標準部品と共通に使用する

————— 取り除く部品

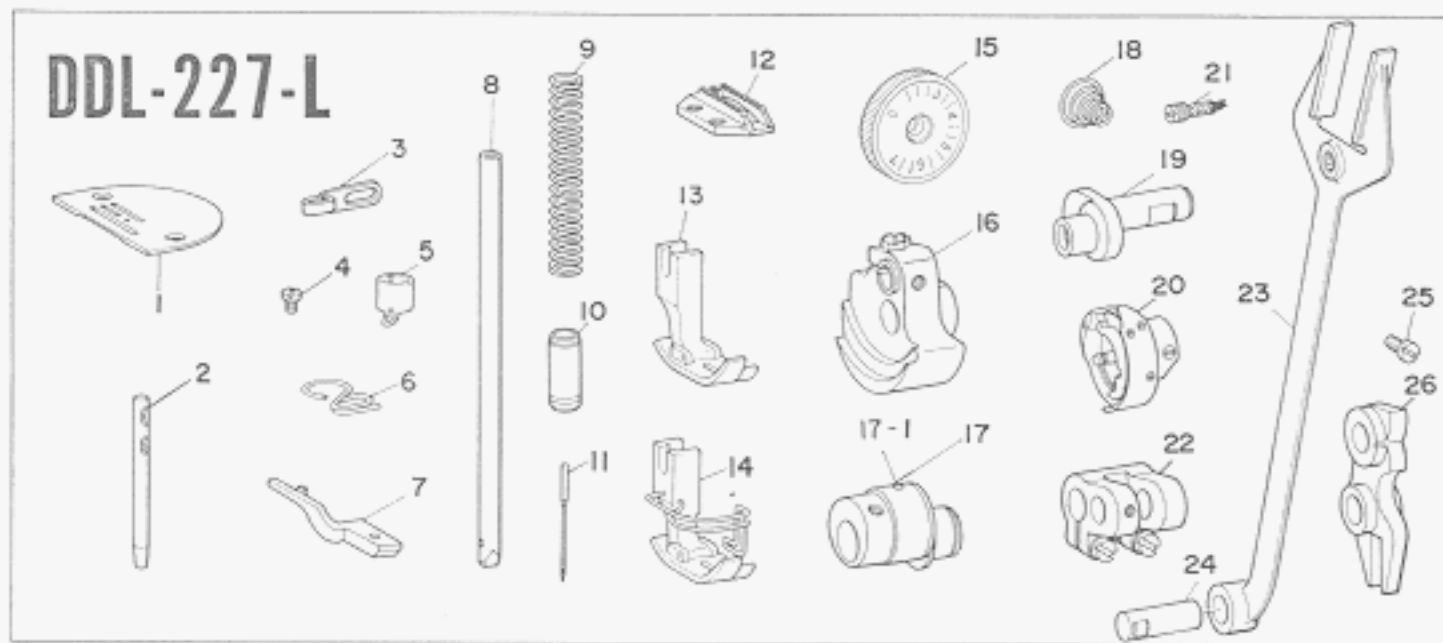


| Ref. No. | Note | Part No. | Description | E.C. | 品名 |
|---------------------------------------------------------------------------|------|-----------------|-------------------------------------------|---------|-------------|
| | 注記 | 品番 | | 変更年月 | |
| 1) DDL-227-A (For light weight materials) (薄物用) | | | | | |
| 1 | | B1109-012-i00 | Throat plate (i) | | 針板(i) |
| 2 | | D1113-126-WA0 | Needle thread guide pin asm. | | 糸案内棒(組) |
| 3 | | B1401-552-D00-A | Needle bar (D) | | 針棒(D) |
| 4 | | B1418-552-B00 | Needle bar thread guide | | 針棒糸掛ケ |
| 5 | | B1419-553-000 | Needle thread guide | | 針棒糸案内 |
| 6 | | MDA-100B0900 | Needle DAX1 (88x1, 1128, Ser x 548) #9 | | 針(DA×1 #9) |
| 7 | | B1518-552-AA0 | Hand lifter cam asm. | D.11/76 | 押エ上ゲカム(組) |
| 7-1 | | B1518-552-AA0-A | Hand lifter cam asm. | A.11/76 | 押エ上ゲカム(組) |
| 8 | | B1209-552-A00 | Needle bar crank | | 針棒クランク |
| 9 | | B1613-012-i00 | Feed (i) | | 送り歯(i) |
| 10 | | B3111-126-000 | Tension post socket | | 糸調子棒台 |
| 11 | | B3121-352-000 | Tension spring | | 糸調子バネ |
| 12 | | B3128-027-000 | Take-up spring | | 糸取りバネ |
| 13 | | B9117-552-A00 | Bobbin (A) | | ボビン(A) |
| 2) DDL-227-H (For heavy weight materials) (厚物用) | | | | | |
| 1 | | B1109-555-H0B | Throat plate (H) | | 針板(H) |
| 2 | | B1114-012-000 | Needle thread pin asm. | | 糸案内棒 |
| 3 | | B1126-553-000 | Arm thread guide (A) | | アーム糸案内(A) |
| 4 | | SS-6080320-SP | Arm oil shield screw | | 面部油防板止ネジ |
| 5 | | B1835-555-H00 | Bobbin case holder positioning finger (H) | | 中釜押エ(H) |
| 6 | | B1401-552-i00 | Needle bar | | 針棒 |
| 7 | | B1505-552-000-A | Presser spring | | 押エ調節バネ |
| 8 | | B1403-553-000 | Needle bar bushing, lower | | 針棒下メタル |
| 9 | | MDB-100B2200 | Needle DBx1 (16x231, 1738) #22 | | 針(DB×1 #22) |
| 10 | | B1613-555-H00 | Feed (H) | | 送り歯(H) |
| 11 | | B1419-553-000 | Needle bar thread guide | | 針棒糸案内 |
| 12 | | B1511-543-BA0 | Hinged presser foot asm. | | 自由押エ(組) |
| 12-1 | ◇01 | B1511-543-BB0 | Hinged presser foot asm. | A.4/76 | 自由押エ(組) |
| 13 | | B1623-227-HA0-A | Stitch dial asm. | | 目盛板(組) |
| 14 | | B1206-553-0A0 | Counterweight asm. | | 釣合鍾(組) |
| 15 | | B1210-227-H00 | Feed drive eccentric cam | D.3/80 | 送り偏心カム |
| 15-1 | | B1210-227-H00-A | Feed drive eccentric cam | A.3/80 | 送り偏心カム |
| 16 | | B3114-232-000 | Tension spring | | 糸調子バネ |
| 17 | | B1209-553-000 | Needle bar crank | | 針棒クランク |
| 18 | | B1830-555-HA0 | Sewing hook asm. | | 釜(組) |
| 19 | | B1808-227-HA0 | Hook driving shaft front screw | | 下輪前止ネジ |
| 20 | | SS-6121050-SP | Screw | A.1/79 | 目盛板止ネジ |
| Note (注記) ◇01 Special order parts | | | | | |
| *All parts besides above are in common use with standard parts of DDL-227 | | | | | |
| 上記以外ノ部品ハ、DDL-227 標準部品ト共通 | | | | | |



| Ref. No. | Note | Part No. | Description | E.C. | 品名 | Amt. Req. |
|----------------------------------------------|------|---------------------|-----------------------------------------------|---------|-------------------|-----------|
| | 注記 | 品番 | | 変更年月 | | 数量 |
| 3) DDL-227-M (For 5mm feed) (送り量5mm用) | | | | | | |
| 1 | | SS-6080320-SP | Arm oil shield screw | D.6/76 | 面部油防板止ネジ..... | - |
| 2 | | B1623-227-HA0-A | Stitch dial asm. | | 目盛板(組)..... | 1 |
| 3 | | D1837-555-BAA | Bobbin case (with spring)..... | | ボビンケース(バネ入り)..... | 1 |
| 4 | ☆ | B1401-227-M00 | Needle bar | A.6/82 | 針棒..... | 1 |
| 4) DDL-227-W (For P.P.) (P.P用) | | | | | | |
| 1 | | D1109-155-W00 | Throat plate | | 針板..... | 1 |
| 2 | | D1113-126-WA0 | Needle thread guide pin asm. | | 糸案内棒(組)..... | 1 |
| 3 | | B1401-552-D00-A | Needle bar | | 針棒..... | 1 |
| 4 | | B1418-552-B00 | Needle bar thread guide | | 針棒糸掛ケ..... | 1 |
| 5 | | B1419-553-000 | Needle thread guide | | 針棒糸案内..... | 1 |
| 6 | | MDA-100B1100 | Needle DAX1 (88x1, 1128, Ser x 548) #11 | | 針(DA×1 #11)..... | 1 |
| 7 | | B1518-552-AA0 | Hand lifter cam asm. | D.11/76 | 押エ上ゲカム(組)..... | - |
| 7-1 | | B1518-552-AA0-A | Hand lifter cam asm. | A.11/76 | 押エ上ゲカム(組)..... | 1 |
| 8 | | D1524-126-WA0 | Teflon presser foot asm. | | テフロン押エ(組)..... | 1 |
| 8-1 | ◇01 | D1524-126-WB0 | Teflon presser foot asm. | A.4/76 | テフロン押エ(組)..... | 1 |
| 9 | | B1209-552-A00 | Needle bar crank | | 針棒クランク..... | 1 |
| 10 | | D1613-155-W00 | Feed | | 送り歯..... | 1 |
| 11 | | B3111-126-000 | Tension post socket | | 糸調子棒台..... | 1 |
| 12 | | B3121-352-000 | Tension spring | | 糸調子バネ..... | 1 |
| 13 | | B3128-027-000 | Take-up spring | | 糸取りバネ..... | 1 |
| 14 | | B9117-552-A00 | Bobbin | | ボビン..... | 1 |
| | | Note (注記) ◇01 | Special order parts | | 特別注文部品 | |

* All parts besides above are in common use with standard parts of DDL-227 上記以外ノ部品ハ、DDL-227 (標準)部品ト共通



5) DDL-227-L (For 7mm feed) (送り量7mm用)

| | | | | | |
|------|-------------------|------------------------------|--------|--------------|---|
| 1 | B1109-555-H0B | Throat plate (H) | A.4/76 | 針板 (H) | 1 |
| 2 | B1114-012-000 | Needle thread guide pin asm. | A.4/76 | 糸案内棒 (組) | 1 |
| 3 | B1126-553-000 | Frame thread guide (A) | A.4/76 | アーム糸案内 (A) | 1 |
| 4 | SS-6080320-SP | Arm oil shield screw | A.4/76 | 面部油防板止ネジ | 1 |
| 5 | B1418-227-L00 | Needle bar thread guide | A.4/76 | 針棒糸掛ケ | 1 |
| 6 | B1419-553-000 | Needle bar thread guide | A.4/76 | 針棒糸案内 | 1 |
| 7 | B1835-555-H00 | Bobbin case holder | A.4/76 | 中签押エ | 1 |
| 8 | B1401-552-i00 | Needle bar (i) | A.4/76 | 針棒 (i) | 1 |
| 9 | B1505-552-000-A | Presser spring | A.4/76 | 押エ調節バネ | 1 |
| 10 | B1403-553-000 | Needle bar bushing, lower | A.4/76 | 針棒下メタル | 1 |
| 11 | MDB-100B2200 | Needle (DB x 1 #22) | A.4/76 | 針 (DB×1 #22) | 1 |
| 12 | B1609-201-000-A | Feed dog | A.4/76 | 送り歯 | 1 |
| 13 | B1524-041-EA0 | Hinged presser foot asm. | A.4/76 | 自由押エ (組) | 1 |
| 14 | 001 B1524-041-EB0 | Hinged presser foot asm. | A.4/76 | 自由押エ (組) | 1 |
| 15 | B1623-227-LA0 | Stitch dial asm. | A.4/76 | 目盛板 (組) | 1 |
| 16 | B1206-553-0A0 | Counterweight asm. | A.4/76 | 釣合錘 (組) | 1 |
| 17 | B1210-227-H00 | Feed drive eccentric cam | D.3/80 | 送り偏心カム (H) | 1 |
| 17-1 | B1210-227-H00-A | Feed drive eccentric cam | A.3/80 | 送り偏心カム (H) | 1 |
| 18 | B3114-232-000 | Thread tension spring | A.4/76 | 糸調子バネ | 1 |
| 19 | B1209-553-000 | Needle bar crank | A.4/76 | 針棒クランク | 1 |
| 20 | B1830-555-HA0 | Lubricating hook asm. | A.4/76 | 給油釜 (組) | 1 |
| 21 | B1808-227-HA0 | Lower shaft front screw asm. | A.4/76 | 下軸前止ネジ (組) | 1 |
| 22 | B1607-201-0A0 | Feed rock shaft crank asm. | A.4/76 | 水平送り腕 (組) | 1 |
| 23 | B1613-201-000 | Pit man | A.4/76 | ニ又ロッド | 1 |
| 24 | B1611-155-000-A | Pin | A.4/76 | ニ又ロッド止メ軸 | 1 |
| 25 | SS-7111120-SP | Screw | A.3/78 | ニ又ロッド止メ軸止ネジ | 1 |
| 26 | B1620-227-L00 | Feed regulator | A.4/76 | 送り調節台 | 1 |

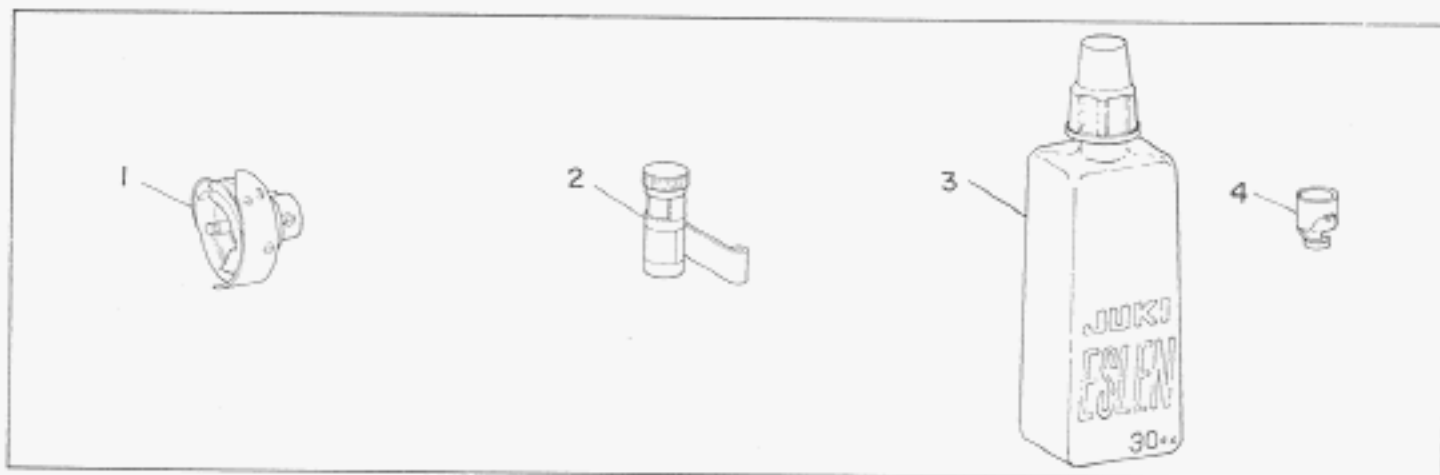
Note (注記) 001 Special order parts 特別注文品

* All parts besides above are in common use with standard parts of DDL-227.

上記以外ノ部品ハ、DDL-227 (標準) 部品ト共通

8. SPECIAL ORDER PARTS

特別注文部品



| Ref. No. | Note | Part No. | Description | E.C. | Amt. Req. |
|----------|------|---------------|------------------------------------------------|---------|----------------------|
| | 注記 | 品番 | | 変更年月 | 品名 数量 |
| 1 | | B1830-127-TA0 | Hook for tricot asm. | | トリコット用釜 (組) 1 |
| 2 | | B1130-541-0A0 | Silicon oil lubricating unit case asm. | | エスレンケース (組) 1 |
| 3 | | B9135-123-0B0 | Silicon oil lubricating unit oiler asm. (30cc) | | エスレン油差シ (組) (30cc) 1 |
| 4 | | B1418-541-000 | Needle bar thread guide | A.12/81 | 針棒糸掛ケ 1 |

