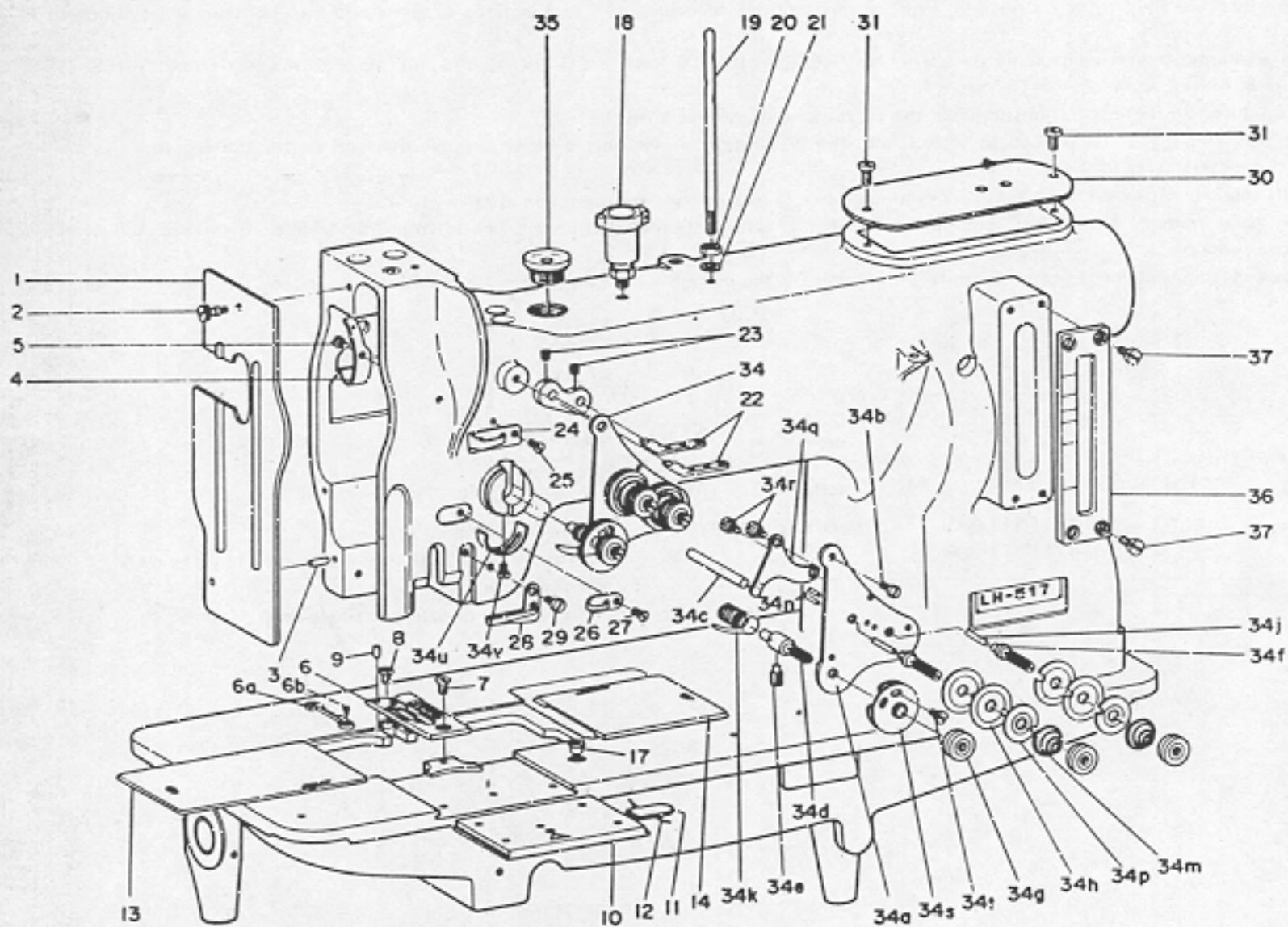
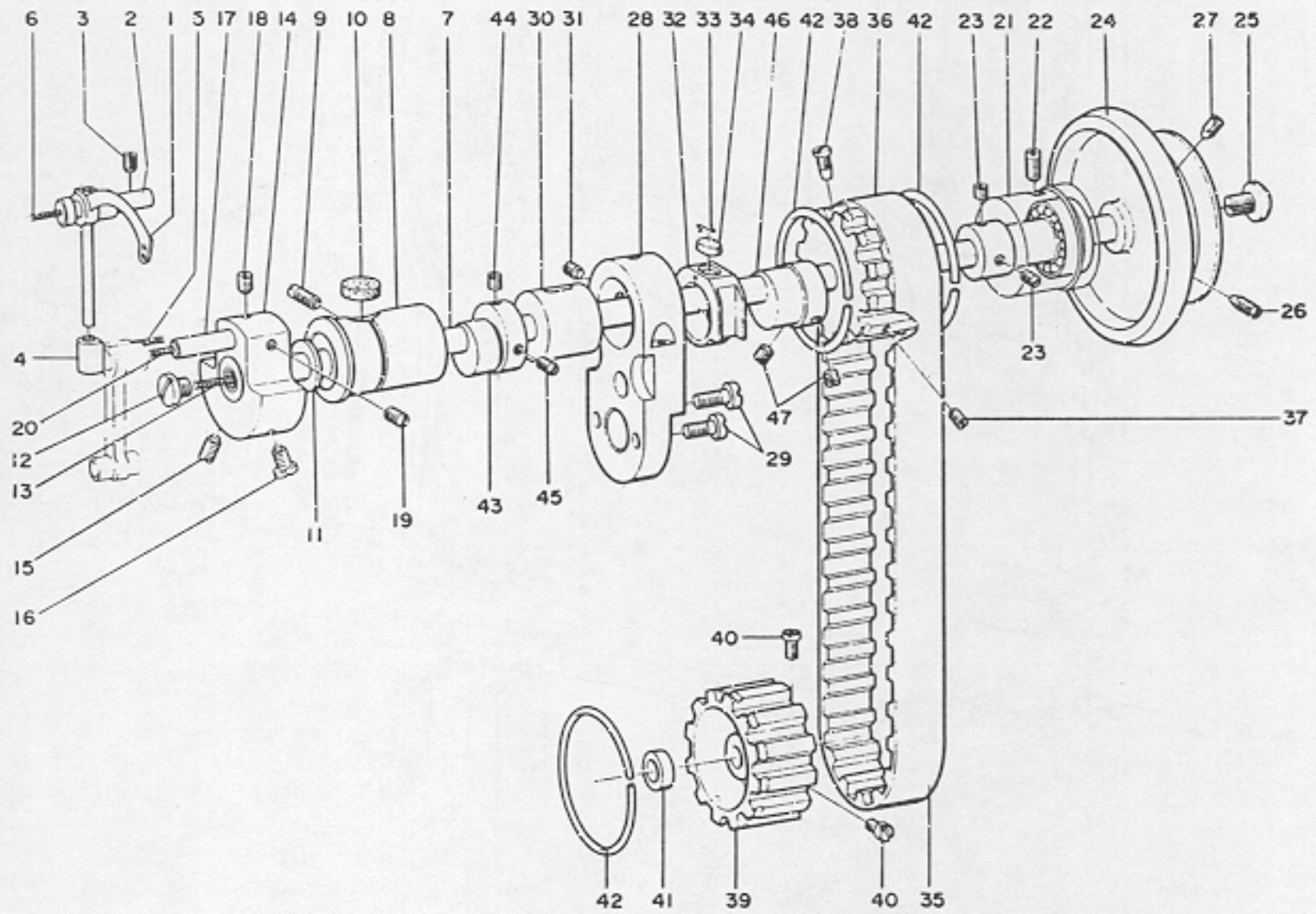


1. MACHINE FRAME & TENSION PARTS COMPONENTS



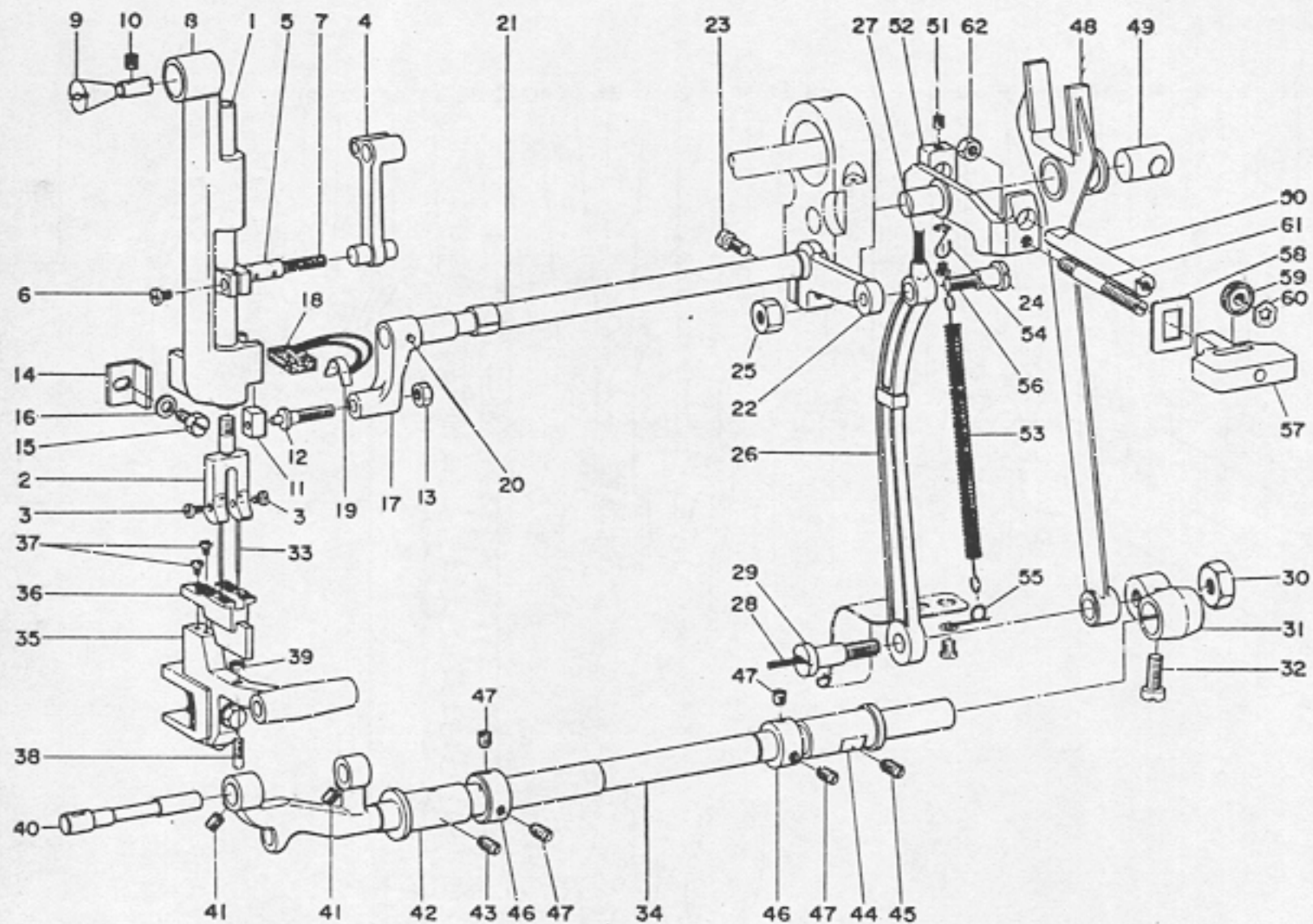
Ref. No.	Part No.	Description	Amt. Req.	Ref. No.	Part No.	Description	Amt. Req.
1	B-3101-517-000	Face plate	1	34	B-3121-051-0A0	Tension controller asm.	1
2	B-3106-019-000	. . . Screw	1	34a	B-3121-051-000	Thread tension controller base	1
3	B-1103-051-000	. . . Pin	1	34b	SS-7110720-SP	. . . Screw	1
4	B-1140-051-000	Arm oil shield	1	34c	B-3122-051-000	Tension release bar	1
5	SS-3090610-SP	. . . Screw	1	34d	B-3123-051-000	Thread take-up spring stud	1
6	B-1109-517-B00	Throat plate (B)	1	34e	SS-8111251-SP	. . . Screw	1
6a	B-1115-517-B00	Gauge	1	34f	B-3124-051-000	Thread tension post	2
6b	SS-4060310-SP	. . . Screw	2	34g	B-3125-012-000	Thread tension post nut	3
7	SS-2110920-TP	. . . Screw	1	34h	B-3126-051-000	Thread tension disc	4
8	SS-6090630-SP	. . . Guide screw	1	34j	B-3127-051-000	Thread tension release pin	2
9	B-1104-051-000	. . . Pin	1	34k	B-3128-051-000	Thread take-up spring	1
10	B-1110-051-000	Bed slide, front	1	34m	B-3129-051-000	Thread tension spring	2
11	B-1111-051-00A	. . . Stopper	1	34n	B-3131-051-000	Thread tension disc stopper	2
12	B-1111-051-00B	. . . Spring	1	34p	B-3132-051-000	Thread tension release washer	2
13	B-1112-512-E00	Bed slide, left	1	34q	B-3134-051-000	Thread tension release lever	1
14	B-1113-512-E00	Bed slide, right	1	34r	SD-0470281-SP	. . . Screw	2
17	B-1157-009-0A0	Oil cup, small	3	34s	B-3137-051-0A0	Thread take-up spring guide asm.	1
18	B-1155-053-000	Oil cup, large	1		B-3137-051-00A	. . . Stud	1
19	B-1114-517-000	Needle thread guide pin	1		B-3137-051-00B	. . . Disc, rear	1
20	NS-6620310-SP	. . . Nut	1		B-3137-051-00C	. . . Shaft	1
21	WP-0520656-SA	. . . Washer	1		B-3137-051-00D	. . . Disc, front	1
22	B-1128-051-000	Three-hole thread eyelet	2	34t	SS-4080610-SP	. . . Screw	1
23	SS-8110510-SP	. . . Screw	2	34u	B-3138-051-000	Thread take-up spring adjusting plate	1
24	B-1129-051-000	Frame thread guide, upper	1	34v	SS-7090520-SP	. . . Screw	1
25	SS-2090710-SP	. . . Screw	1	35	B-3501-051-000	Oil filler sleeve	1
26	B-1130-051-000	Frame thread guide, middle	1	35	B-1647-517-000	Stitch graduator	1
27	SS-2090710-SP	. . . Screw	1	37	SS-6080510-TP	. . . Screw	4
28	B-1131-051-000	Frame thread guide, lower	1				
29	SS-2090710-SP	. . . Screw	1				
30	B-1150-517-000	Top plate	1				
31	SS-7621040-SP	. . . Screw	2				

2. MAIN SHAFT & THREAD TAKE-UP LEVER COMPONENTS



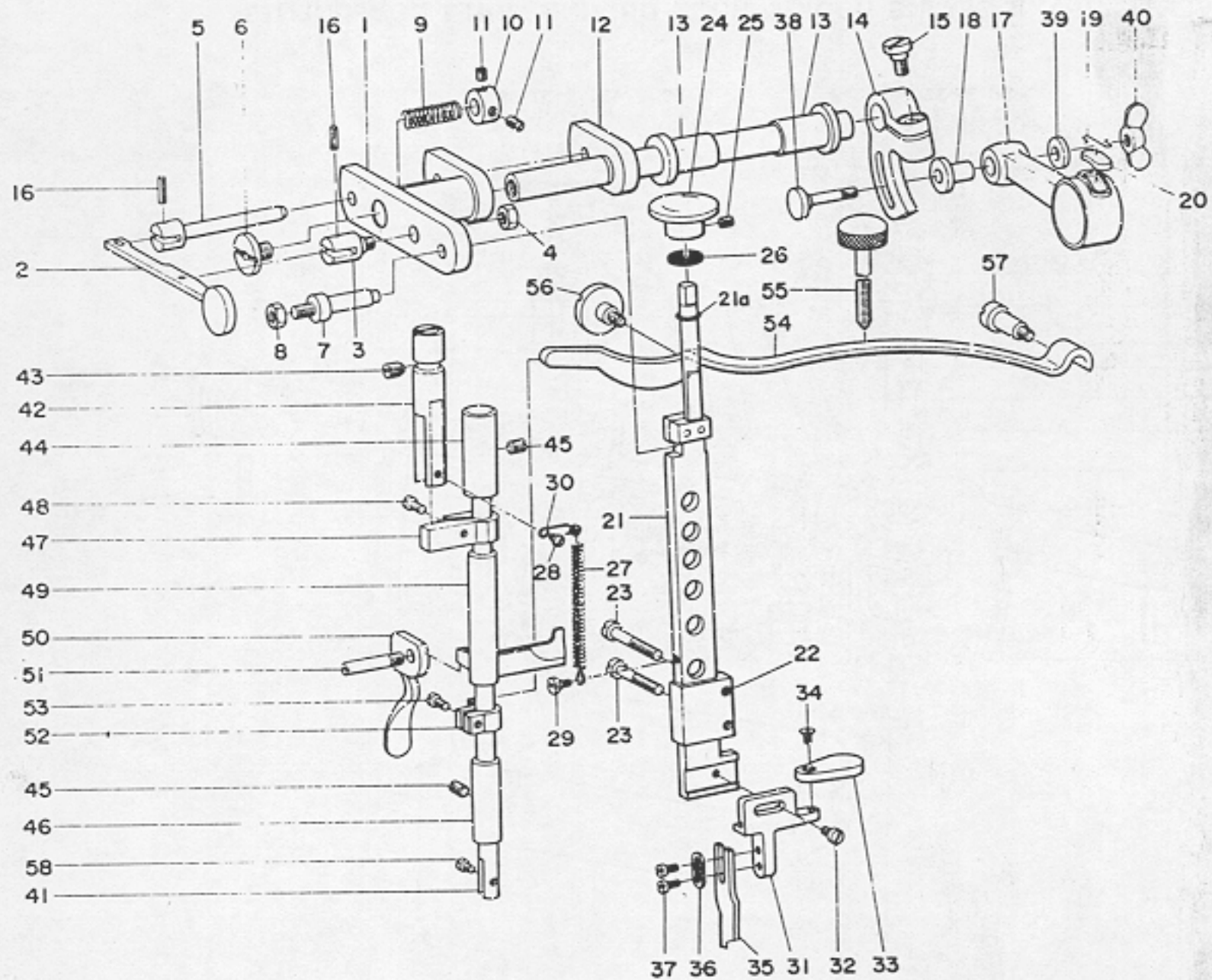
Ref. No.	Part No.	Description	Amt. Req.	Ref. No.	Part No.	Description	Amt. Req.
1	B-1905-517-000	Thread take-up lever	1	23	SS-8150710-SP	. . . Screw, for bushing (2)	2
2	B-1906-517-000	. . . Pin	1	24	B-1227-053-000	Hand wheel	1
3	SS-8151150-SP Screw 1	1	25	B-1233-012-000	. . . End screw	1
4	B-1907-051-000	. . . Thrust pin	1	26	SS-8151780-SP	. . . Screw (S)	1
5	B-1204-051-000 Oil wick	1	27	SS-8152030-SP	. . . Screw	1
6	B-1204-051-000	. . . Oil wick, for pin	1	28	B-1226-517-000	Base, for intermediate bushing	1
7	B-1201-055-800	Main shaft	1	29	SS-7161640-SP	. . . Screw	2
8	B-1202-051-000	. . . Bushing, front	1	30	B-1203-232-000	Intermediate bushing	1
9	SS-8151150-SP Screw 1	1	31	SS-8151150-SP	. . . Screw	1
10	B-1203-051-000 Oil felt	1	32	B-1211-517-000	Feed drive eccentric retainer housing	1
11	B-1205-051-000 Thrust washer	1	33	B-1213-012-000	. . . Felt presser	1
12	B-1207-051-000	. . . Plug screw	1	34	B-1218-012-000	. . . Felt	1
13	B-1204-051-000	. . . Oil wick 1	1	35	B-1301-051-000	Timing belt	1
14	B-1206-051-000	Counterweight	1	36	B-1302-517-000	Sprocket wheel, upper	1
15	SS-8681650-TP	. . . Screw	1	37	SS-8681650-TP	. . . Screw (A)	1
16	SS-7681750-TP	. . . Screw (S)	1	38	SS-7681750-TP	. . . Screw (B)	1
17	B-1210-051-000	Needle bar crank pin	1	39	B-1303-051-A00	Sprocket wheel, lower	1
18	SS-8680540-SP	. . . Screw (1)	1	40	SS-7661110-TH	. . . Screw	2
19	SS-8680730-SP	. . . Screw (2)	1	41	B-1304-517-000	. . . Collar	1
20	B-1204-051-000	. . . Oil wick 1	1	42	B-1214-019-000	. . . Ring	3
*21	B-1216-051-0A0	Main shaft rear bushing asm.	1	43	B-1450-517-000	Knife driving cam	1
	B-1216-051-000	Main shaft rear bushing (1)	①	44	SS-8660530-TP	. . . Screw (A)	1
	B-1217-051-000	Main shaft rear bushing (2)	①	45	SS-8660970-SK	. . . Screw (B)	1
	B-1218-051-000	. . . Bearing retaining collar	①	46	B-1620-517-000	Feed eccentric cam	1
	B-1219-051-000	. . . Bearing	①	47	SS-8151150-SP	. . . Screw	2
22	SS-8151150-SP	. . . Screw, for bushing (1)	1				

3. NEEDLE BAR FRAME & FEED ROCK SHAFT COMPONENTS



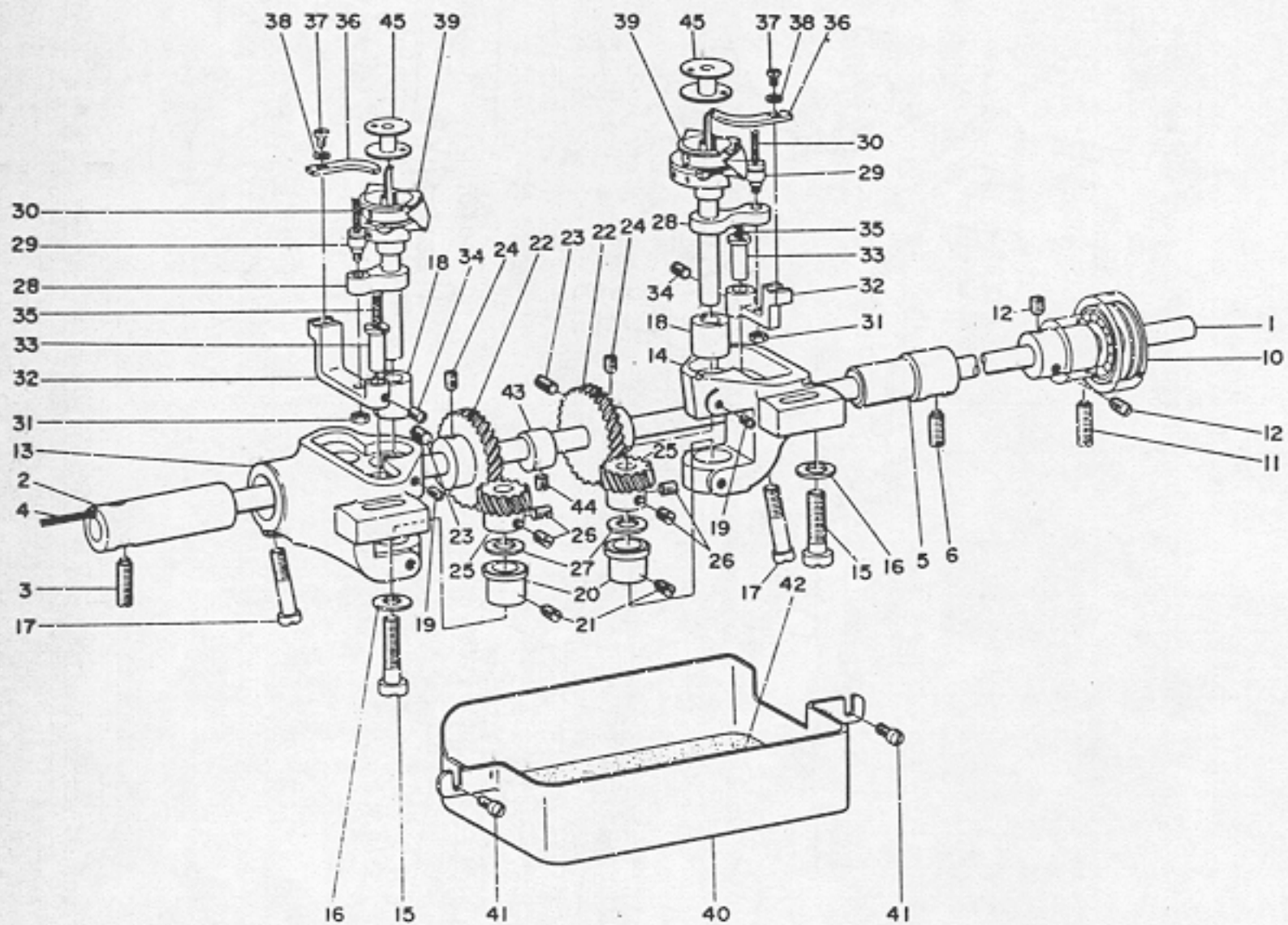
Ref. No.	Part No.	Description	Amt. Req.	Ref. No.	Part No.	Description	Amt. Req.
1	B-1401-517-B00	Needle bar	1	*35	B-1602-051-0A0	Feed bar asm.	1
2	B-1402-517-B00	Needle clamp	1		B-1602-051-000	Feed bar	①
3	SS-6090410-TP	Needle set screw	2		B-1604-051-000	... Slide fork	①
4	B-1408-051-000	Needle bar crank connecting rod	1		B-1605-051-000	... Oil felt	①
5	B-1411-051-000	Needle bar connection	1		SS-6080610-TP	... Screw	①
6	SS-7090910-SP	... Screw	1		SS-9151440-CP	... Screw	①
7	B-1412-051-000	... Oil felt	1		WP-0621016-SD	... Washer	①
8	B-1420-517-B00	Needle bar frame	1	36	B-1613-517-000	Feed dog	1
9	B-1421-051-000	... Taper stud	1	37	SS-6080720-SP	... Screw	2
10	SS-8151160-SP	... Screw	1	38	SS-8081450-SP	... Adjusting screw	1
11	B-1425-051-000	... Slide block	1	39	NS-6080210-SP	... Adjusting nut	1
12	B-1426-051-000	... Stud	1	40	B-1603-051-000	Feed bar shaft	1
13	NS-6620310-SP	... Nut	1	41	SS-8110510-SP	... Screw	2
14	B-1423-051-000	... Guide	1	42	B-1607-051-000	Feed rock shaft front bushing	1
15	SS-9111010-SP	... Screw	1	43	SS-8151150-SP	... Screw	1
16	WP-0480856-SP	... Washer	1	44	B-1609-051-000	Feed rock shaft rear bushing	1
17	B-1428-051-000	... Rock shaft crank, front	1	45	SS-8152030-SP	... Screw	1
*18	B-1438-051-0A0	... Oil wick asm.	1	46	CS-1401012-SC	Thrust collar, for feed rock shaft	2
19	B-1437-051-000	... Oil wick retainer	1	47	SS-8150410-SP	... Screw	4
20	PT-0301600-S0	... Pin	1	48	B-1614-517-000	Forked rod	1
21	B-1429-051-000	... Rock shaft	1	49	B-1618-517-000	... Pin	1
22	B-1431-517-000	... Rock shaft crank, rear	1	50	B-1619-517-000	... Guide shaft	1
23	SS-6151220-SP	... Clamp screw	1	51	SS-8110520-TP	... Screw	1
24	SD-0790801-SP	... Hinge screw	1	52	B-1615-517-000	Feed graduation plate	1
25	NS-6160520-SP	... Nut	1	53	B-3419-027-000	... Tension spring	1
26	B-1434-517-000	... Rock shaft driving rod	1	54	B-1617-517-000	... Suspension hook	1
27	B-1204-051-000	... Oil wick	1	55	B-1628-517-000	... Suspension hook, lower	1
28	B-1204-051-000	... Oil wick, for hinge screw	1	56	SS-7090710-SP	... Screw	1
29	SD-0951801-SP	... Hinge screw	1	57	B-1622-517-000	Feed lever	1
30	NS-6700420-SP	... Nut	1	58	B-1623-517-000	... Washer	1
31	B-1435-517-000	... Crank	1	59	B-1624-517-000	... Adjusting nut	1
32	SS-6151920-SP	... Screw	1	60	WZ-0641510-KP	... Washer	1
33	MDP-170B1600	Needle	2	61	B-1627-517-000	Feed regulating screw	1
34	B-1601-051-000	Feed rock shaft	1	62	NS-6150310-SP	... Lock nut	1

4. PRESSER BAR & KNIFE COMPONENTS



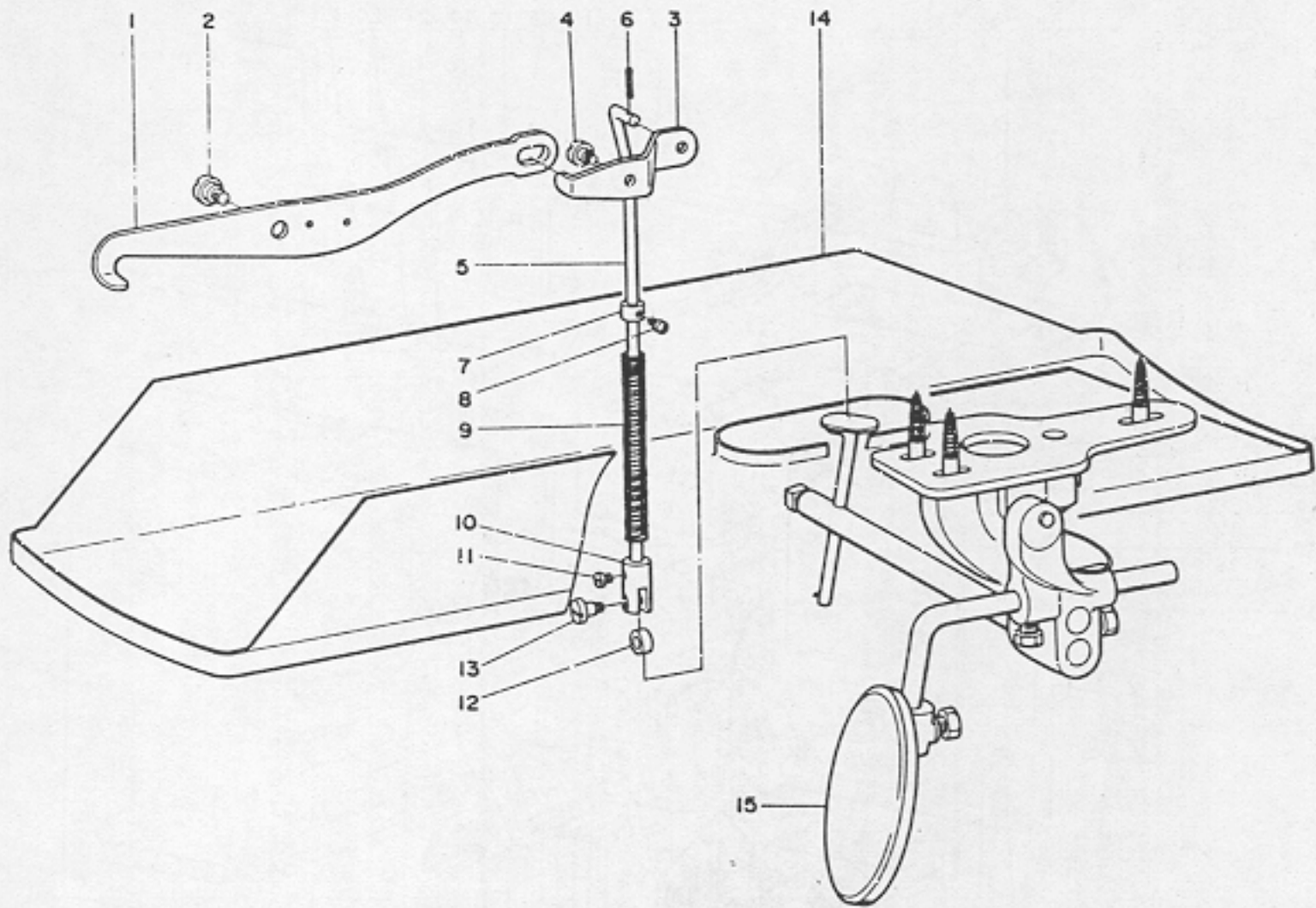
Ref. No.	Part No.	Description	Amt. Req.	Ref. No.	Part No.	Description	Amt. Req.
1	B-1453-517-000	Knife driving shaft base	1	29	SD-0420251-SA	... Screw, lower	1
2	B-1458-517-000	Knife driving lever	1	30	B-1473-517-000	... Suspension bracket	1
3	B-1460-517-000	... Guide	1	31	B-1468-517-000	Knife installing base	1
4	NS-6150310-SP	... Nut	1	32	SS-7090710-SP	... Screw	1
5	B-1455-517-000	... Guide stud	1	33	B-1469-517-000	... Lever	1
6	B-1461-517-000	End screw	1	34	SS-1090410-SL	... Screw	1
7	B-1459-517-000	Stud, for base	1	35	B-1475-517-800	Knife	1
8	NS-6150310-SP	... Nut,	1	36	B-4122-052-000	... Washer	1
9	B-2311-019-000	Spring, for base	1	37	SS-4080610-SP	... Screw	2
10	CS-0640863-SH	... Thrust collar	1	38	D-1456-055-800	Connecting stud, for knife driving rod	1
11	SS-8110750-SP	... Screw	2	39	D-1457-055-800	... Washer	1
12	B-1456-517-000	Knife driving shaft	1	40	D-1458-055-800	... Nut	1
13	B-1455-053-000	... Bushing	1	41	B-1501-517-800	Presser bar	1
14	B-1454-517-000	... Crank	1	42	B-1502-517-800	... Guide sleeve	1
15	SS-7161640-SP	... Clamp screw	1	43	SS-8150750-SP	... Screw	1
16	PS-0200122-K0	Pin, for knife driving lever guide	2	44	B-1503-051-A00	... Bushing, upper	1
17	B-1453-055-800	Knife driving rod	1	45	SS-8151150-SP	... Screw	2
18	D-1455-055-800	... Connecting stud	1	46	B-1503-051-800	... Bushing, lower	1
19	B-1213-012-000	... Oil felt presser	1	47	B-1504-051-000	... Guide, for bracket	1
20	B-1702-012-000	... Oil felt	1	48	SS-7090910-SP	... Screw	1
*21	B-1472-517-0A0	Knife driving plate asm.	1	49	B-1511-051-000	Hand lifter lever	1
	B-1471-517-000	Knife driving plate guide	①	50	B-1512-051-000	Hand lifter	1
	B-1472-517-000	Knife driving plate	①	51	B-1515-051-000	... Pin	1
	SS-3090810-SL	Screw, for knife driving plate guide	②	52	B-1507-051-000	Presser bar guide bracket	1
21a	RO-0442401-00	"O" ring	1	53	SS-7090910-SP	... Screw	1
22	B-1465-517-000	Knife driving plate holder	1	54	B-1505-053-000	Presser bar plate spring	1
23	SS-7113110-SP	... Clamp screw	2	55	B-1509-051-000	... Adjusting screw	1
24	B-1470-517-000	Knife driving plate finger tip	1	56	SD-0800481-SP	Hinge screw, for hand lifter lever	1
25	SS-8110750-SP	... Screw	1	57	SD-0801601-SP	Hinge screw, for plate spring	1
26	E-5025-001-000	... Rubber cushion	1	58	SS-6090910-TP	Presser foot set screw	1
27	B-1476-517-000	Tension spring	1				
28	SS-5060410-SP	... Screw, upper	1				

5. VERTICAL-AXIS SEWING HOOK & HOOK DRIVING SHAFT COMPONENTS



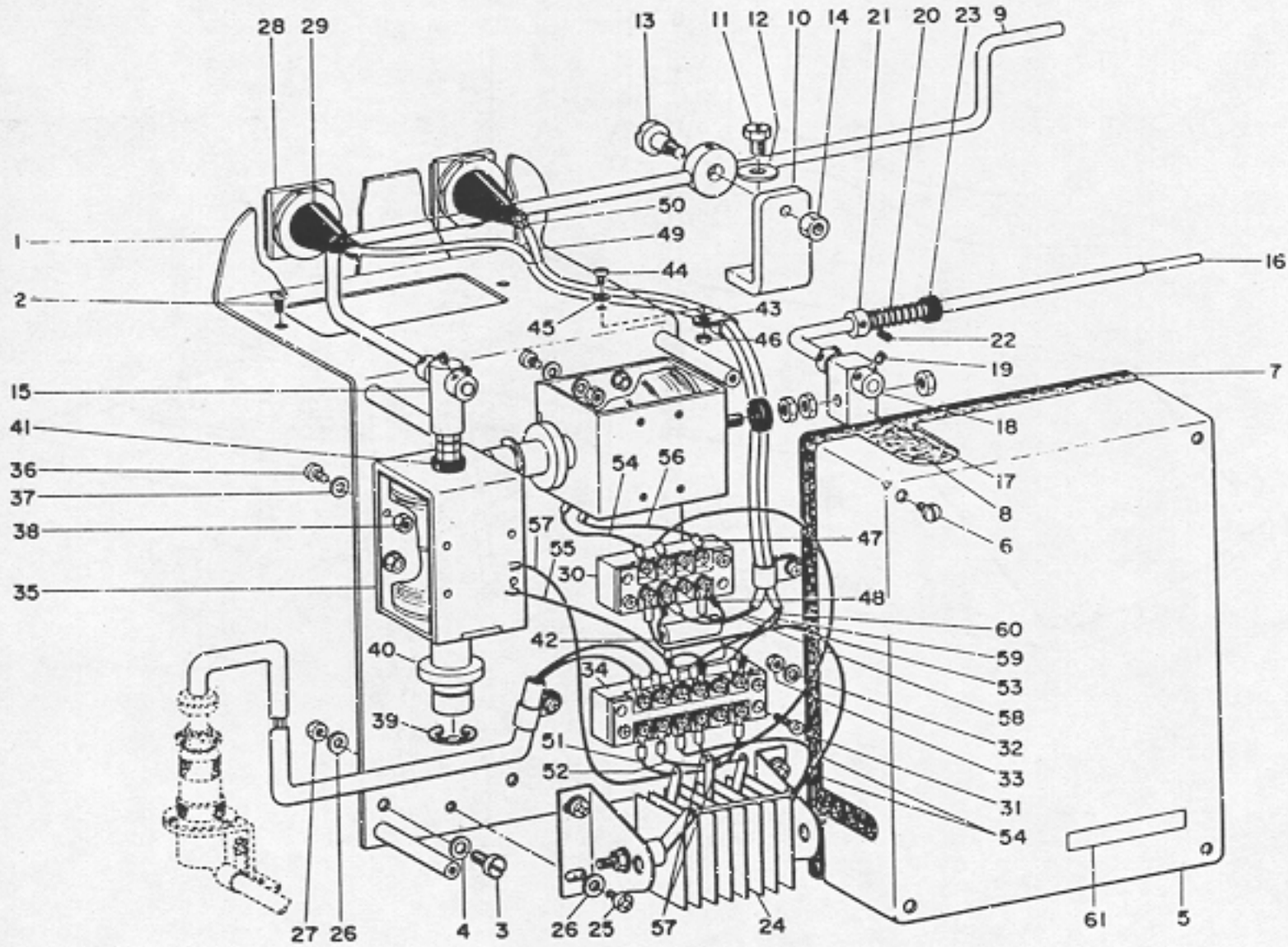
Ref. No.	Part No.	Description	Amt. Req.	Ref. No.	Part No.	Description	Amt. Req.
1	B-1801-051-000	Hook driving shaft	1	28	B-1820-051-000	Bobbin case opening lever link	2
2	B-1802-051-000	. . . Bushing, front	1	29	B-1821-051-000	Screw stud, for bobbin case opening lever crank	2
3	SS-8152030-SP Screw	1	30	B-1204-051-000	. . . Oil wick	2
4	B-1825-051-000 Oil wick	1	31	NS-6110420-SP	. . . Nut	2
5	B-1804-051-000	. . . Bushing, intermediate	1	32	B-1822-051-000	Bobbin case opening lever crank	2
6	SS-8151550-SP Screw	1	33	B-1823-051-000	. . . Pin	2
				34	SS-8151230-SP Screw	2
				35	B-1204-051-000 Oil wick	2
*10	B-1807-051-0A0	. . . Bushing, rear asm.	1	36	B-1824-051-000	Bobbin case opening lever	2
	B-1807-051-000	. . . Bushing, rear (1)	①	37	SS-6090620-SP	. . . Screw	2
	B-1808-051-000	. . . Bushing, rear (2)	①	38	WP-0371010-SD	. . . Washer	2
	B-1809-051-000	. . . Retaining collar, for bearing	①	39	B-1830-051-0A0	Vertical-axis sewing hook	2
	B-1219-051-000	. . . Rear bearing	①	40	B-1839-051-000	Oil reservoir	1
	SS-8090530-TP	. . . Screw, for retaining collar	③	41	SS-7110410-SP	. . . Screw	2
11	SS-8152030-SP	. . . Screw, for rear bushing	1	42	B-1841-051-000	. . . Oil drip felt	1
12	SS-8150750-SP	. . . Screw, for rear bushing (2)	2	43	B-1840-051-000	Feed driving eccentric	1
13	B-1810-051-000	. . . Saddle, left	1	44	SS-8150580-SP	. . . Screw	1
14	B-1811-051-000	. . . Saddle, right	1	45	B-9117-051-000	Bobbin	2
15	SS-7762840-SP Screw	2				
16	WP-0753016-5Z Washer	2				
17	SS-6153040-SP Clamp screw	2				
18	B-1814-051-000	Upper bushing, for sewing hook shaft	1				
19	SS-8151150-SP	. . . Screw	2				
20	B-1815-051-000	Lower bushing, for sewing hook shaft	2				
21	SS-8150710-SP	. . . Screw	2				
22	B-1816-051-000	Sewing hook shaft gear, large	2				
23	SS-8660810-SP	. . . Screw	2				
24	SS-8660970-TP	. . . Screw	2				
25	B-1817-051-000	Sewing hook shaft gear, small	2				
26	SS-8660530-TP	. . . Screw	2				
27	B-1818-051-000	. . . Thrust washer	2				

6. KNEE LIFTER COMPONENTS



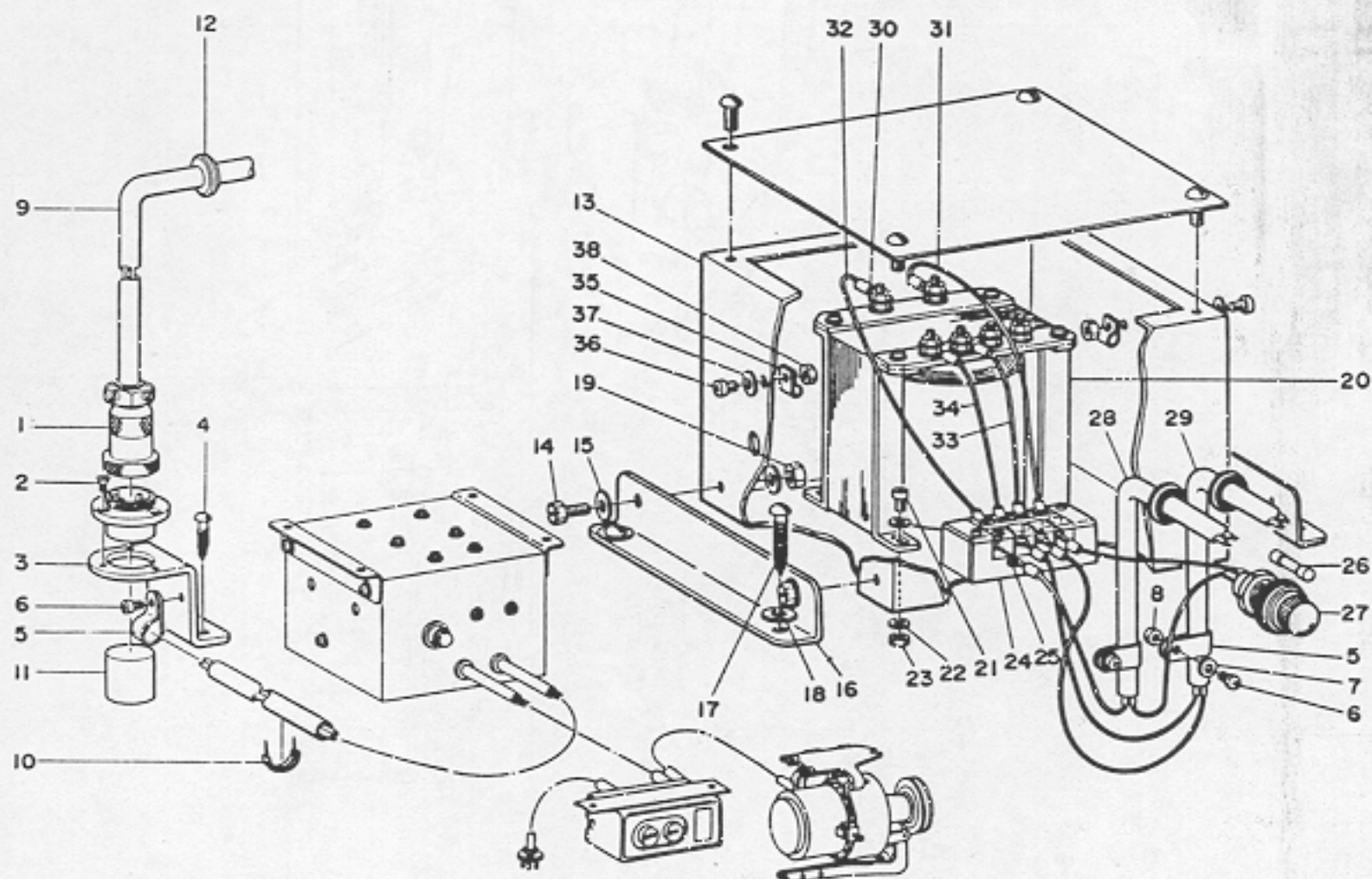
Ref. No.	Part No.	Description	Amt. Req.
1	B-3409-053-000	Knee lifting lever, front	1
2	SD-0790361-SP	. . . Hinge screw	1
3	B-3410-051-000	Knee lifting lever, rear	1
4	SD-0790361-SP	. . . Hinge screw	1
5	B-3413-053-000	Lifting lever connecting rod	1
6	PD-02311000B	. . . Pin	1
7	CS-0510713-SC	. . . Retainer, for spring	1
8	SS-7110540-SP Screw	1
9	B-3414-051-000	. . . Spring	1
10	B-3416-051-000	. . . Roller holder	1
11	SS-7110510-SP Screw	1
12	B-3417-051-000	. . . Roller	1
13	SD-0550801-SP Stud	1
14	B-8217-051-0A0	Oil reservoir asm.	1
15	B-3401-027-060	Knee press plate asm.	1

7. ELECTRICAL EQUIPMENT COMPONENTS (1)



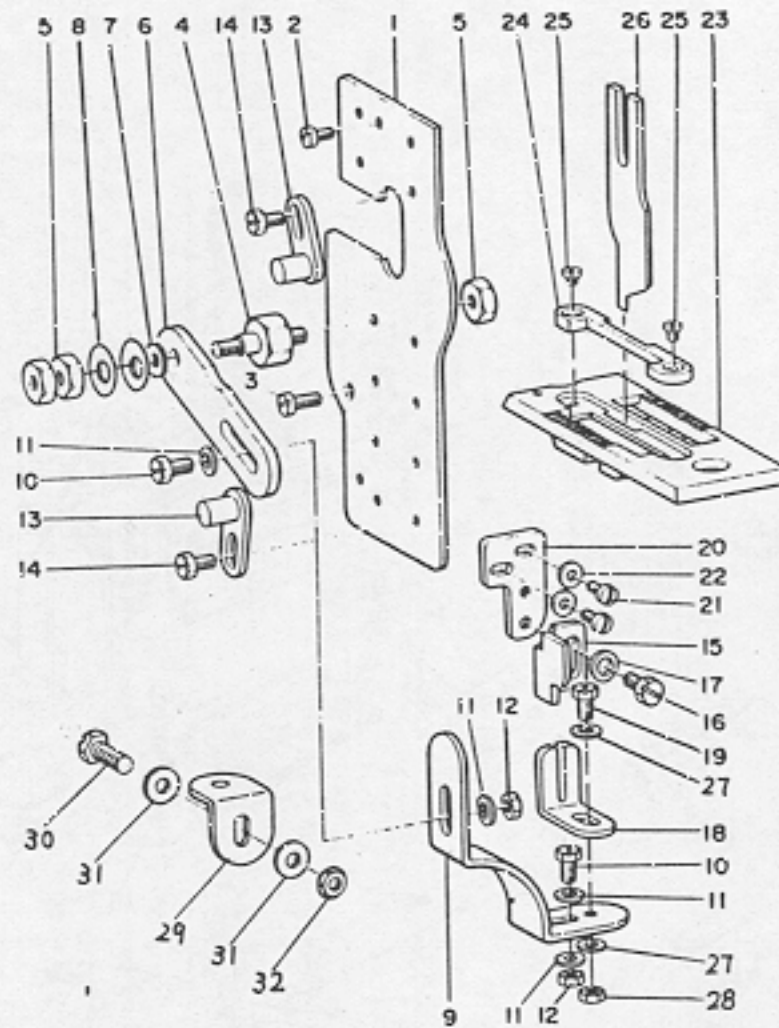
Ref. No.	Part No.	Description	Amt. Req.	Ref. No.	Part No.	Description	Amt. Req.
1	MAT-2020S00	Electrical equipment base asm.	1	31	SM-4031601-SB	... Screw	4
2	SS-76210410-SP	... Screw	2	32	WP-0330501-SB	... Washer	4
3	SS-9151120-CP	... Screw, lower	2	33	NM-6030000-SB	... Nut	4
4	WP-0621016-SD	... Washer	2	34	MAT-70143S00	Terminal base (6P)	1
5	MAT-20203S00	Control box cover	1	35	MAT-20224SA0	D.C solenoid	2
6	SS-5110740-TP	... Screw	4	36	SM-4041001-SB	... Screw	8
7	MAT-20210S00	... Sound-proof cushion (A)	1	37	WP-0450510-SB	... Washer	8
8	MAT-20211S00	... Sound-proof cushion (B)	1	38	NM-6040000-SB	... Nut	8
9	MAT-20204S00	Knife driving lever starting bar	1	39	RE-1200000-K0	... Rubber ring	2
10	MAT-20205S00	... Installing base	1	40	D-2468-555-B00	... Sound-proof rubber cushion	2
11	MAT-20206S00	... Screw	1	41	E-5025-001-000	... Rubber cushion	2
12	WP-0850002-SD	... Washer	1	42	MAT-70141S00	Capacitor	2
13	SD-0741051-SP	... Hinge screw	1	43	E-4054-001-000	Cord holder	3
14	NS-6160520-SP	... Nut	1	44	SM-40430801-SB	... Screw	3
15	MAT-20207S00	... Connecting block	1	45	WP-0450510-SB	... Washer	3
16	MAT-20208S00	Knife driving lever release bar	1	46	NM-6040000-SB	... Nut	3
17	MAT-20209S00	... Connecting block	1	47	HP1A36PEC12	Terminal, large	20
18	CS-0640863-SH	... Thrust collar	4	48	HP1A30PAA12	Terminal, small	4
19	SS-8110510-SP	... Screw	8	49	E-5891-001-000	Vinyl tube, long	1m
20	B-2311-019-000	... Spring	1	50	E-9807-001-000	Vinyl tube, short	180mm
21	CS-0640863-SH	... Retaining collar	1	51	D-6017-555-B00	Electric wire (white)	
22	SS-8110510-SP	... Screw	2	52	D-6018-555-B00	Electric wire (black)	
23	E-5025001000	... Cushion	1	53	D-6019-555-B00	Electric wire (red)	
24	MAT-20221SA0	Rectifier	1	54	D-6020-555-B00	Electric wire (green)	
25	SM-4040810-SB	... Screw	4	55	D-6021-535-B00	Electric wire (yellow)	
26	WP-0450510-SB	... Washer	8	56	D-6022-555-B00	Electric wire (brown)	
27	NM-6040000-SB	... Nut	4	57	D-6023-555-B00	Electric wire (blue)	
28	MAT-20222SA0	Push button switch	2	58	D-6075-555-B00	Electric wire (grey)	
29	MAT-20226S00	... Cap	2	59	D-6076-555-B00	Electric wire (orange)	
30	MAT-20223SA0	Terminal base (4P)	1	60	D-6077-555-B00	Electric wire (purple)	

8. ELECTRICAL EQUIPMENT COMPONENTS (2)



Ref. No.	Part No.	Description	Amt. Req.	Ref. No.	Part No.	Description	Amt. Req.
1	MAT-70144S00	Metal socket asm.	1	21	SM-4040810-SB	. . . Screw	4
2	SM-1030610-SB	. . . Screw	3	22	WP-0450510-SB	. . . Washer	8
3	MAT-70147S00	. . . Installing base	1	23	NM-6040000-SB	. . . Nut	4
4	SK-3482000-SC Screw	2	24	MAT-20223SA0	Terminal base (4P)	1
5	E-4054-001-000	Cord holder	3	25	HP1A36PEC12	Terminal, large	8
6	SM-4030610-SB	. . . Screw	3	26	MAT-70161S0B	Fuse	1
7	WP-0450510-SP	. . . Washer	2	27	MAO-11519A00	. . . Box	1
8	NM-6040000-SB	. . . Nut	2	28	MAT-20227S0A	Main cord (A)	1
9	MAT-70145S0B	Main cord (C)	1	29	MAT-20227S0B	Main cord (B)	1
10	MAO-11532000	Staple	10	30	D-6033-555-B00	Terminal, for transformer	4
11	E-5351-668-000	Tube	1	31	D-6017-555-B00	Electric wire (white)	
12	E-9644-001-000	Rubber cap	3	32	D-6018-555-B00	Electric wire (black)	
13	MAT-20225SA0	Transformer box	1	33	D-6019-555-B00	Electric wire (red)	
14	SS-9120910-TP	. . . Screw	4	34	D-6021-555-B00	Electric wire (yellow)	
15	WP-0621016-SD	. . . Washer	8	35	B-3536-122-000	Electric wire holder	2
16	MAT-20212S00	. . . Holder	2	36	SM-4040810-SB	. . . Screw	4
17	SK-3482500-SC Screw	4	37	WP-0450510-SB	. . . Washer	4
18	WP-0621016-SD Washer	4	38	NM-6040000-SB	. . . Nut	4
19	NS-6120310-SP	. . . Nut	4				
20	D-6038-555-B0B	Transformer	1				

9. PIPING FOLDER COMPONENTS



Ref. No.	Part No.	Description	Amt. Req.
1	B-3101-517-B00	Face plate (B)	1
2	SS-7090710-SL	. . . Screw (A)	1
3	SS-7151210-SP	. . . Screw (B)	1
4	B-3701-517-000	Folder installing stud	1
5	NS-6150430-SP	. . . Nut	3
6	B-3702-517-000	Folder installing plate (A)	1
7	WP-0751576-SD	. . . Washer	1
8	B-1121-232-000	. . . Spring washer	2
9	B-3703-517-000	Folder installing plate (B)	1
10	SS-9151440-CP	. . . Screw	2
11	WP-0621016-SD	. . . Washer	4
12	NS-6150430-SP	. . . Nut	2
13	B-3705-517-000	Stopper asm.	2
14	SS-9150730-SP	. . . Screw	2
15	B-3707-517-000	Folder holding plate	1
16	SS-9150730-SP	. . . Screw	1
17	WP-0651056-SD	. . . Washer	1
18	B-3708-517-000	. . . Retainer	1
19	SS-9151440-CP Screw	1
20	B-3709-517-000 Installing plate	1
21	SS-7621040-SP Screw	2
22	WP-0520656-SA Washer	2
23	B-1109-517-B00	Throat plate (B)	1
24	B-1115-517-B00	Gauge	1
25	SS-4060310-SP	. . . Screw	2
26	B-1475-517-B00	Knife (B)	1
27	WP-0621016-SD	Washer, for folder holding plate	2
28	NS-6150430-SP	. . . Nut	1
29	B-3704-517-000	Folder installing plate C	1
30	SS-9151440-CP	Folder clamp screw	1
31	WP-0621016-SD	. . . Washer	2
32	NS-6150430-SP	. . . Nut	1

10. NUMERICAL INDEX OF PARTS

Part No.	Page	Ref. No.	Part No.	Page	Ref. No.	Part No.	Page	Ref. No.	Part No.	Page	Ref. No.	Part No.	Page	Ref. No.
EXCLUSIVE PARTS														
B-1103-051-000	1-3		B-1429-051-000	3-21		B-1627-517-000	3-61		B-3702-517-000	9-6		MAT-20224SA0	7-35	
B-1104-051-000	1-9		B-1431-517-000	3-22		B-1628-517-000	3-55		B-3703-517-000	9-9		MAT-20225SA0	8-13	
B-1109-517-B00	1-6		B-1434-517-000	3-26		B-1647-517-000	1-36		B-3704-517-000	9-29		MAT-20226S00	7-29	
B-1109-517-B00	9-23		B-1435-517-000	3-31		B-1218-012-000	2-34		B-3705-517-000	9-13		MAT-20227SOA	8-28	
B-1110-051-000	1-10		B-1437-051-000	3-19		B-1702-012-000	4-20		B-3707-517-000	9-15		MAT-20227SOB	8-29	
B-1111-051-00A	1-11		B-1438-051-0A0	3-*18		B-1801-051-000	5-1		B-3708-517-000	9-18				
B-1111-051-00B	1-12		B-1450-517-000	2-43		B-1802-051-000	5-2		B-3709-517-000	9-20				
B-1112-512-E00	1-13		B-1453-055-B00	4-17		B-1804-051-000	5-5		B-4122-052-000	4-36				
B-1113-512-E00	1-14		B-1453-517-000	4-1					B-8217-051-0A0	6-14				
B-1114-517-000	1-19		B-1454-517-000	4-14		B-1807-051-000	5-10		B-9117-051-000	5-45				
B-1115-517-B00	1-6a		B-1455-053-000	4-13		B-1807-051-0A0	5-*10		D-1455-055-B00	4-18		MAT-70141S00	7-42	
B-1115-517-B00	9-24		B-1455-517-000	4-5		B-1808-051-000	5-10		D-1456-055-B00	4-38		MAT-70143S00	7-34	
B-1121-232-000	9-8		B-1456-517-000	4-12		B-1809-051-000	5-10		D-1457-055-B00	4-39		MAT-70144S00	8-1	
B-1128-051-000	1-22		B-1458-517-000	4-2		B-1810-051-000	5-13		D-1458-055-B00	4-40		MAT-70145S0B	8-9	
B-1129-051-000	1-24		B-1459-517-000	4-7		B-1811-051-000	5-14		D-2468-555-B00	7-40		MAT-70147S00	8-3	
B-1130-051-000	1-26		B-1460-517-000	4-3		WP-0753016-S2	5-16		D-6017-555-B00	7-51		MAT-70161S0B	8-26	
B-1131-051-000	1-28		B-1461-517-000	4-6		B-1814-051-000	5-18		D-6017-555-B00	8-31				
B-1140-051-000	1-4		B-1465-517-000	4-22		B-1815-051-000	5-20		D-6018-555-B00	7-52		NEEDLE		
B-1150-517-000	1-30		B-1468-517-000	4-31		B-1816-051-000	5-22		D-6018-555-B00	8-32		MDP-170B1600	3-33	
B-1155-053-000	1-18		B-1469-517-000	4-33		B-1817-051-000	5-25		D-6019-555-B00	7-53		THRUST COLLAR		
B-1157-009-0A0	1-17		B-1470-517-000	4-24		B-1818-051-000	5-27		D-6019-555-B00	8-33		CS-0510713-SC	6-7	
B-1159-041-000	7-61		B-1471-517-000	4-21		B-1820-051-000	5-28		D-6020-555-B00	7-54		CS-0640863-SH	4-10	
B-1201-055-B00	2-7		B-1472-517-000	4-21		B-1821-051-000	5-29		D-6021-555-B00	7-55		CS-0640863-SH	7-18	
B-1202-051-000	2-8		B-1472-517-0A0	4-*21		B-1822-051-000	5-32		D-6021-555-B00	8-34		CS-0640863-SH	7-21	
B-1203-051-000	2-10		B-1473-517-000	4-30		B-1823-051-000	5-33		D-6022-555-B00	7-56		CS-1401012-SC	3-46	
B-1203-232-000	2-30		B-1475-517-B00	4-35		B-1824-051-000	5-36		D-6023-555-B00	7-57				
B-1204-051-000	2-5		B-1475-517-B00	9-26		B-1825-051-000	5-4		D-6033-555-B00	8-30		NUT		
B-1204-051-000	2-6		B-1476-517-000	4-27		B-1830-051-0A0	5-39		D-6038-555-B0B	8-20		NM-6030000-SB	7-33	
B-1204-051-000	2-13		B-1501-517-B00	4-41		B-1839-051-000	5-40		D-6075-555-B00	7-58		NM-6040000-SB	7-27	
B-1204-051-000	2-20		B-1502-517-B00	4-42		B-1840-051-000	5-43		D-6076-555-B00	7-59		NM-6040000-SB	7-38	
B-1204-051-000	3-27		B-1503-051-A00	4-44		B-1841-051-000	5-42		D-6077-555-B00	7-60		NM-6040000-SB	7-46	
B-1204-051-000	3-28		B-1503-051-B00	4-46		B-1905-517-000	2-1		E-4054-001-000	7-43		NM-6040000-SB	8-8	
B-1204-051-000	5-30		B-1504-051-000	4-47		B-1906-517-000	2-2		E-5025-001-000	8-5		NM-6040000-SB	8-23	
B-1204-051-000	5-35		B-1505-053-000	4-54		B-1907-051-000	2-4		E-5025-001-000	4-26		NM-6040000-SB	8-38	
B-1205-051-000	2-11		B-1507-051-000	4-52		B-2311-019-000	4-9		E-5025-001-000	7-23		NS-6080210-SP	3-39	
B-1206-051-000	2-14		B-1509-051-000	4-55		B-2311-019-000	7-20		E-5025-001-000	7-41				
B-1207-051-000	2-12		B-1511-051-000	4-49		B-3101-517-000	1-1		E-5351-668-000	8-11		NS-6110420-SP	5-31	
B-1210-051-000	2-17		B-1512-051-000	4-50		B-3101-517-B00	9-1		E-5891-001-000	7-49		NS-6120310-SP	8-19	
B-1211-517-000	2-32		B-1515-051-000	4-51		B-3106-019-000	1-2		E-9644-001-000	8-12		NS-6150310-SP	3-62	
B-1213-012-000	2-33					B-3121-051-000	1-34a		E-9807-001-000	7-50		NS-6150310-SP	4-4	
B-1213-012-000	4-19					B-3121-051-0A0	1-*34		HP1A30PAA12	7-48		NS-6150310-SP	4-8	
B-1214-019-000	2-42					B-3122-051-000	1-34c		HP1A36PEC12	7-47		NS-6150430-SP	9-5	
B-1216-051-000	2-21					B-3123-051-000	1-34d		HP1A36PEC12	8-25		NS-6150430-SP	9-12	
B-1216-051-0A0	2-*21					B-3124-051-000	1-34f		MAO-11519A00	8-27		NS-6150430-SP	9-28	
B-1217-051-000	2-21					B-3125-012-000	1-34g		MAO-11532000	8-10		NS-6150430-SP	9-32	
B-1218-051-000	2-21					B-3126-051-000	1-34h							
B-1219-051-000	2-21					B-3127-051-000	1-34j							
B-1219-051-000	5-10					B-3128-051-000	1-34k					NS-6160520-SP	3-25	
B-1226-517-000	2-28					B-3129-051-000	1-34m					NS-6160520-SP	7-14	
B-1227-053-000	2-24					B-3131-051-000	1-34n					NS-6620310-SP	1-20	
B-1233-012-000	2-25					B-3132-051-000	1-34p					NS-6620310-SP	3-13	
B-1301-051-000	2-35					B-3134-051-000	1-34q					NS-6700420-SP	3-30	
B-1302-517-000	2-36		B-1601-051-000	3-34		B-3137-051-00A	1-34s					PIN		
B-1303-051-A00	2-39		B-1602-051-000	3-35		B-3137-051-00B	1-34s					PD-02311000B	6-6	
B-1304-517-000	2-41		B-1602-051-0A0	3-*35		B-3137-051-00C	1-34s					PS-0200122-K0	4-16	
B-1316-055-000	2-40		B-1603-051-000	3-40		B-3137-051-00D	1-34s					PT-0301600-S0	3-20	
B-1401-517-B00	3-1		B-1604-051-000	3-35		B-3137-051-0A0	1-*34s		MAT-20203S00	7-5		RUBBER RING		
B-1402-517-B00	3-2		B-1605-051-000	3-35		B-3138-051-000	1-34u		MAT-20204S00	7-9		RE-1200000-K0	7-39	
B-1408-051-000	3-4		B-1607-051-000	3-42		B-3401-027-0B0	6-15		MAT-20205S00	7-10		RO-042401-00	4-21a	
B-1411-051-000	3-5		B-1609-051-000	3-44		B-3409-053-000	6-1		MAI-20206S00	7-11				
B-1412-051-000	3-7		B-1613-517-000	3-36		B-3410-051-000	6-3		MAT-20207S00	7-15				
B-1420-517-B00	3-8		B-1614-517-000	3-48		B-3413-053-000	6-5		MAT-20208S00	7-16		HINGE SCREW		
B-1421-051-000	3-9		B-1615-517-000	3-52		B-3413-051-000	6-9		MAT-20209S00	7-17		SD-0420251-SA	4-29	
B-1423-051-000	3-14		B-1617-517-000	3-54		B-3416-051-000	6-10		MAT-20210S00	7-7		SD-0470281-SP	1-34r	
B-1425-051-000	3-11		B-1618-517-000	3-49		B-3417-051-000	6-12		MAT-20211S00	7-3		SD-0550801-SP	6-13	
B-1426-051-000	3-12		B-1619-517-000	3-50		B-3419-027-000	3-53		MAT-20212S00	8-16		SD-0741051-SP	7-13	
B-1428-051-000	3-17		B-1620-517-000	2-46		B-3501-051-000	1-35		MAT-20221SA0	7-24		SD-0790361-SP	6-2	
			B-1622-517-000	3-57		B-3536-122-000	8-35		MAT-20222SA0	7-28		SD-0790361-SP	6-4	
			B-1623-517-000	3-58		B-3701-517-000	9-4		MAT-20223SA0	7-30		SD-0790801-SP	3-24	
			B-1624-517-000	3-59					MAT-20223SA0	8-24		SD-0800481-SP	4-56	
												SD-0801601-SP	4-57	

Part No.	Page	Ref. No.	Part No.	Page	Ref. No.
SD-0951801-SP	3-29		SS-8110510-SP	7-22	
SCREW			SS-8110750-SP	4-11	
SK-3482000-SC	8-4		SS-8110750-SP	4-25	
SK-3482500-SC	8-17		SS-8111251-SP	1-34e	
SM-1030610-SB	8-2		SS-8150410-SP	3-47	
SM-4030610-SB	8-6		SS-8150580-SP	5-44	
SM-4031601-SB	7-31		SS-8150710-SP	2-23	
SM-4040810-SB	7-25		SS-8151230-SP	5-21	
SM-4040810-SB	8-21		SS-8150710-SP	5-34	
SM-4040810-SB	8-36		SS-8150750-SP	4-43	
SM-4041001-SB	7-36		SS-8150750-SP	5-12	
SM-4030801-SB	7-44		SS-8151150-SP	2-3	
SS-1090410-SL	4-34		SS-8151150-SP	2-31	
SS-2090710-SP	1-25		SS-8151150-SP	2-47	
SS-2090710-SP	1-27		SS-8151150-SP	3-43	
SS-2090710-SP	1-29		SS-8151150-SP	4-45	
SS-2110920-TP	1-7		SS-8151150-SP	5-19	
SS-3090610-SP	1-5		SS-8151160-SP	3-10	
SS-3090810-SL	4-21		SS-8151350-SP	2-9	
SS-4060310-SP	1-66		SS-8151350-SP	2-22	
SS-4060310-SP	9-25		SS-8151550-SP	5-6	
SS-4080610-SP	1-34t		SS-8151780-SP	2-26	
SS-5060410-SP	4-28		SS-8152030-SP	2-27	
			SS-8152030-SP	3-45	
			SS-8152030-SP	5-3	
SS-5110740-TP	7-6		SS-8152030-SP	5-11	
			SS-8660530-TP	2-44	
SS-6060410-TP	9-39		SS-8660530-TP	5-26	
SS-6080610-TP	1-37		SS-8660810-SP	5-23	
SS-6080610-TP	3-35		SS-8660970-SK	2-45	
SS-6080710-SP	4-37		SS-8660970-TP	5-24	
SS-6080720-SP	3-37		SS-8680540-SP	2-18	
SS-6090410-TP	3-3		SS-8680730-SP	2-19	
SS-6090620-SP	5-37		SS-8681650-TP	2-15	
SS-6090630-SP	1-8		SS-8681650-TP	2-37	
SS-6090910-TP	4-58		SS-9111010-SP	3-15	
SS-6151220-SP	3-23		SS-9120910-TP	8-14	
SS-6151920-SP	3-32		SS-9150730-SP	9-14	
SS-6153040-SP	5-17		SS-9150730-SP	9-16	
SS-7090520-SP	1-34v		SS-9151120-CP	7-3	
SS-7090520-SP	5-9				
SS-7090610-SP	5-8		SS-9151440-CP	9-10	
SS-7090710-SP	3-56		SS-9151440-CP	9-19	
SS-7090710-SP	4-32		SS-9151440-CP	3-35	
SS-7090710-SL	9-2		SS-9151440-CP	9-30	
			WASHER		
SS-7090910-SP	3-6		WP-0330501-SB	7-32	
SS-7090910-SP	4-48		WP-0371010-SD	5-38	
SS-7090910-SP	4-53		WP-0450510-SB	7-26	
SS-7110410-SP	5-41		WP-0450510-SB	7-37	
SS-7110510-SP	6-11		WP-0450510-SB	7-45	
SS-7110540-SP	6-8		WP-0450510-SP	8-7	
SS-7110720-SP	1-34b		WP-0450510-SB	8-22	
SS-7113110-SP	4-23		WP-0480856-SP	8-37	
SS-7151210-SP	9-3		WP-04808560SP	3-16	
SS-7161640-SP	2-29		WP-0520656-SA	1-21	
SS-7161640-SP	4-15		WP-0520656-SA	9-22	
SS-7621040-SP	1-31				
SS-7621040-SP	7-2		WP-0621016-SD	3-35	
SS-7621040-SP	9-21		WP-0621016-SD	7-4	
			WP-0621016-SD	8-15	
SS-7681750-TP	2-16		WP-0621016-SD	8-18	
SS-7681750-TP	2-38		WP-0621016-SD	9-11	
SS-7762840-SP	5-15				
SS-8081450-SP	3-38		WP-0621016-SD	9-27	
SS-8090530-TP	5-10		WP-0621016-SD	9-31	
SS-8110510-SP	1-23		WP-0651056-SD	9-17	
SS-8110510-SP	3-41		WP-0751576-SD	9-8	
SS-8110520-TP	3-51		WP-0850002-SD	7-12	
SS-8110510-SP	4-25		WZ-0641510-KP	3-60	
SS-8110510-SP	7-19				