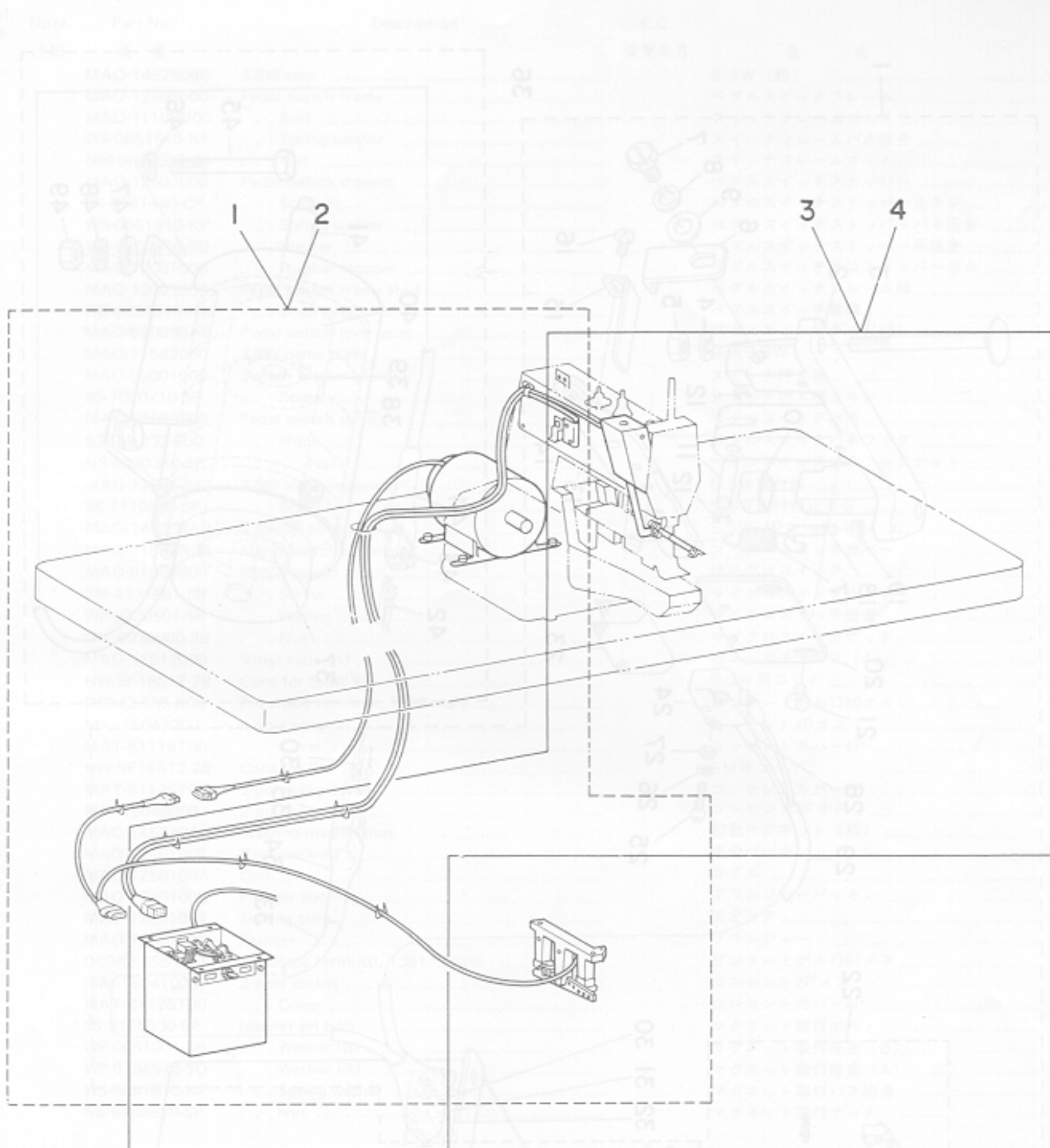


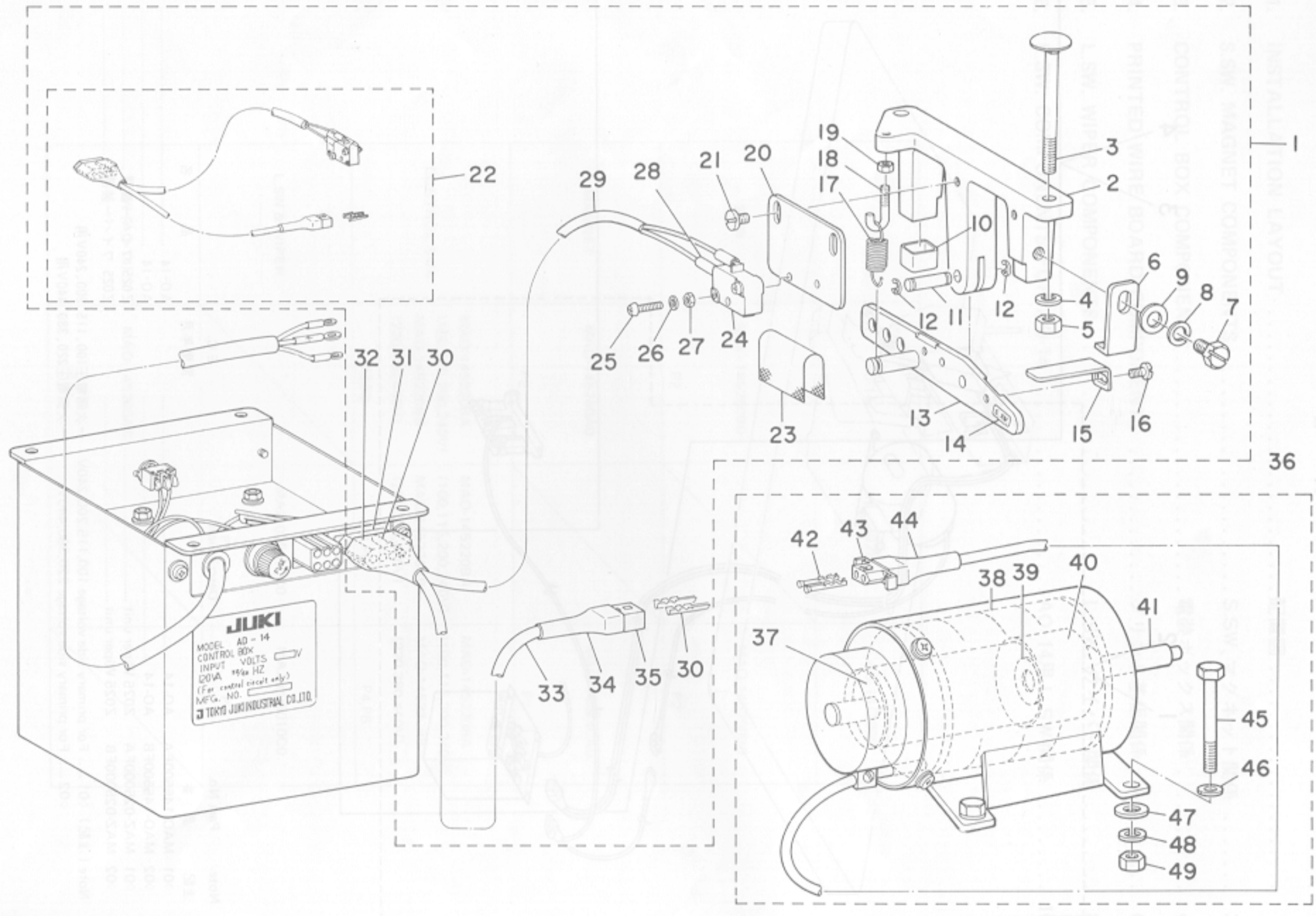
1. INSTALLATION LAYOUT

配置図



Ref. No.	Note	Part No.	Description	E.C.	品名	Amt. Req.
	注記	品番		変更年月		数量
1	◇01	MAO-145500FA	AO-14		AO-14	1
2	◇02	MAO-145500FB	AO-14		AO-14	1
3	◇01	MAZ-025000FA	Z025 Wiper unit		Z025 ワイパー装置	1
4	◇02	MAZ-025000FB	Z025 Wiper unit		Z025 ワイパー装置	1

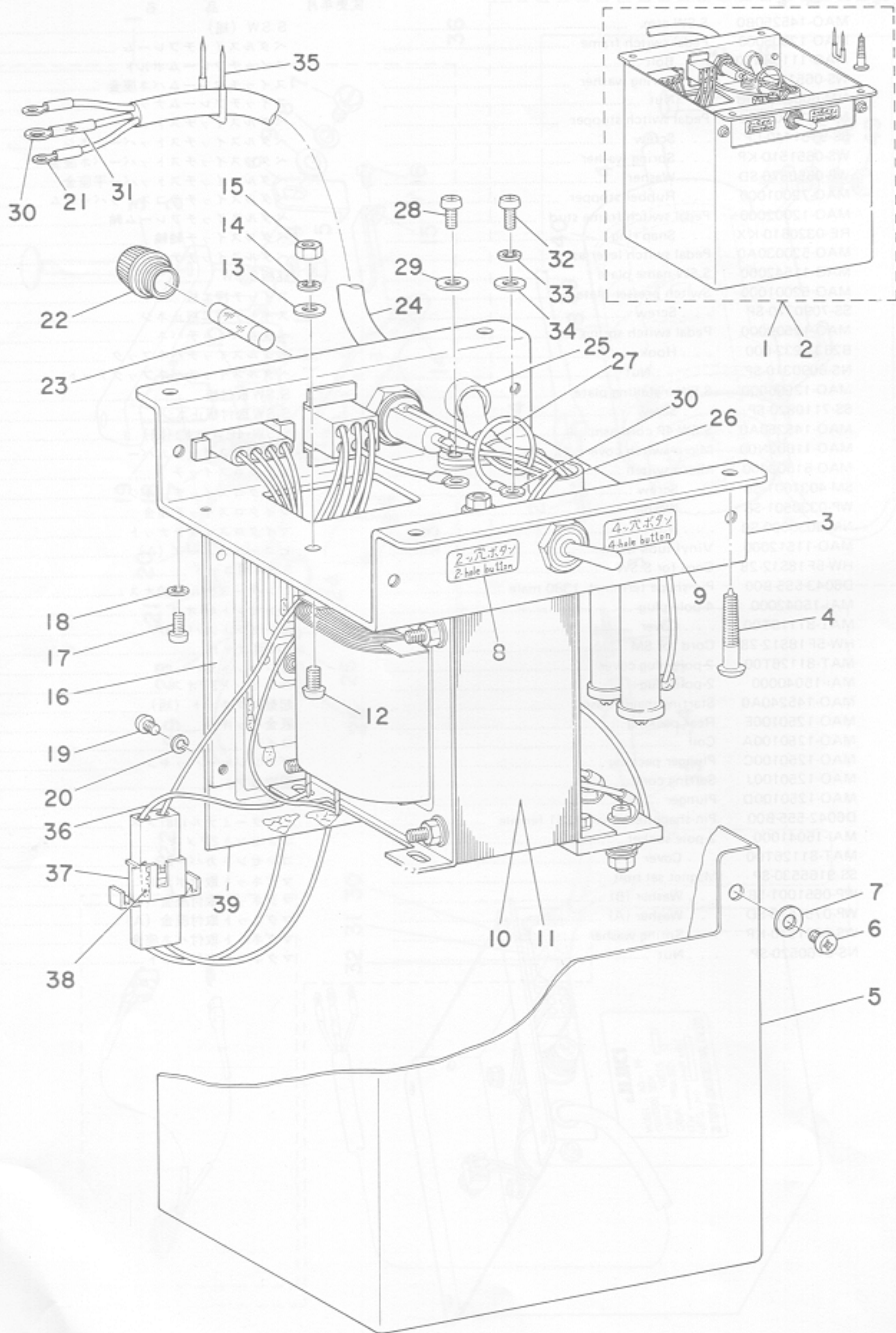
Note (注記) ◇01 For primary side voltage 100,115,200,240V 一次側電圧100、115、200、240V用
 ◇02 For primary side voltage 220,380,440V 一次側電圧220、380、440V用



2. S.SW, MAGNET COMPONENTS (AO-14, AO-14/Z025)

S.SW、マグネット関係(AO-14、AO-14/Z025)

Ref. No.	Note	Part No.	Description	E.C.	Amt. Req.
	注記	品番		変更年月	品名 数量
1		MAO-14525080	S.SW asm.		S.SW (組) 1
2		MAO-12505000	Pedal switch frame		ペダルスイッチフレーム (1)
3		MAO-11108N00	. . . Bolt		スイッチフレームボルト (2)
4		WS-0651510-KP	. . . Spring washer		スイッチフレームバネ座金 (2)
5		NM-6060000-SB	. . . Nut		スイッチフレームナット (2)
6		MAO-12507000	Pedal switch stopper		ペダルスイッチストッパー (1)
7		SS-9151440-CP	. . . Screw		ペダルスイッチストッパー止ネジ (1)
8		WS-0651510-KP	. . . Spring washer		ペダルスイッチストッパーバネ座金 (1)
9		WP-0650876-SD	. . . Washer		ペダルスイッチストッパー平座金 (1)
10		MAO-72001000	. . . Rubber stopper		ペダルスイッチテココストッパーゴム (1)
11		MAO-12002000	Pedal switch frame stud		ペダルスイッチフレーム軸 (1)
12		RE-0320610-KX	. . . Snap ring		ペダルスイッチ軸輪 (2)
13		MAO-520030A0	Pedal switch lever asm.		ペダルスイッチテコ (組) (1)
14		MAO-11542000	S.SW name plate		銘板S.SW (1)
15		MAO-52001000	Switch presser plate		スイッチ押エ板 (1)
16		SS-7090710-SP	. . . Screw		スイッチ押エ板止ネジ (1)
17		MAO-12509000	Pedal switch spring		ペダルスイッチバネ (1)
18		B2633-232-000	. . . Hook		ペダルスイッチバネフック (1)
19		NS-6090310-SP Nut		ペダルスイッチバネフックナット (1)
20		MAO-12506000	S.SW installing plate		S.SW 取付板 (1)
21		SS-7110820-SP	. . . Screw		S.SW 取付板止ネジ (2)
22		MAO-145250A0	S.SW-4P cord asm.		S.SW-4Pコード (組) (1)
23		MAO-11602N00	Micro-switch cover		マイクロスイッチカバー (1)
24		MAO-51503000	Micro-switch		マイクロスイッチ (1)
25		SM-4031601-SB	. . . Screw		マイクロスイッチ止ネジ (2)
26		WP-0330501-SB	. . . Washer		マイクロスイッチ座金 (2)
27		NM-6030000-SB	. . . Nut		マイクロスイッチナット (2)
28		MAO-11512000	Vinyl tube (A)		ビニールチューブ (A) (2)
29		HW-5F18S12-28	Cord for S.SW		S.SW用コード (0.7)
30		D6043-555-B00	Pin-shape terminal, 1380 male		ピンターミナル1380オス (6)
31		MAi-15042000	4-pole plug		コンセント4Pオス (1)
32		MAT-81119T00	. . . Cover		コンセントカバー4P (1)
33		HW-5F18S12-28	Cord for SM		SM用コード (0.5)
34		MAT-81126T00	2-pole plug cover		コンセントカバー2P (1)
35		MAi-15040000	2-pole plug		コンセント2Pオス (1)
36		MAO-145240A0	Starting magnet asm.		起動マグネット (組) 1
37		MAO-1250100E	Rear packing		底金バックキン (1)
38		MAO-1250100A	Coil		コイル (1)
39		MAO-1250100C	Plunger packing		プランジャーバックキン (1)
40		MAO-1250100J	Setting core		固定コア (1)
41		MAO-1250100D	Plunger		プランジャー (1)
42		D6042-555-B00	Pin-shape terminal, 1381 female		ピンターミナル1381メス (2)
43		MAi-15041000	2-pole socket		コンセント2Pメス (1)
44		MAT-81126T00	. . . Cover		コンセントカバー2P (1)
45		SS-9165530-SP	Magnet set bolt		マグネット取付ボルト (4)
46		WP-0651001-SB	. . . Washer (B)		マグネット取付座金 (B) (4)
47		WP-0751576-SD	. . . Washer (A)		マグネット取付座金 (A) (4)
48		WS-0651510-KP	. . . Spring washer		マグネット取付バネ座金 (4)
49		NS-6160520-SP	. . . Nut		マグネット取付ナット (4)

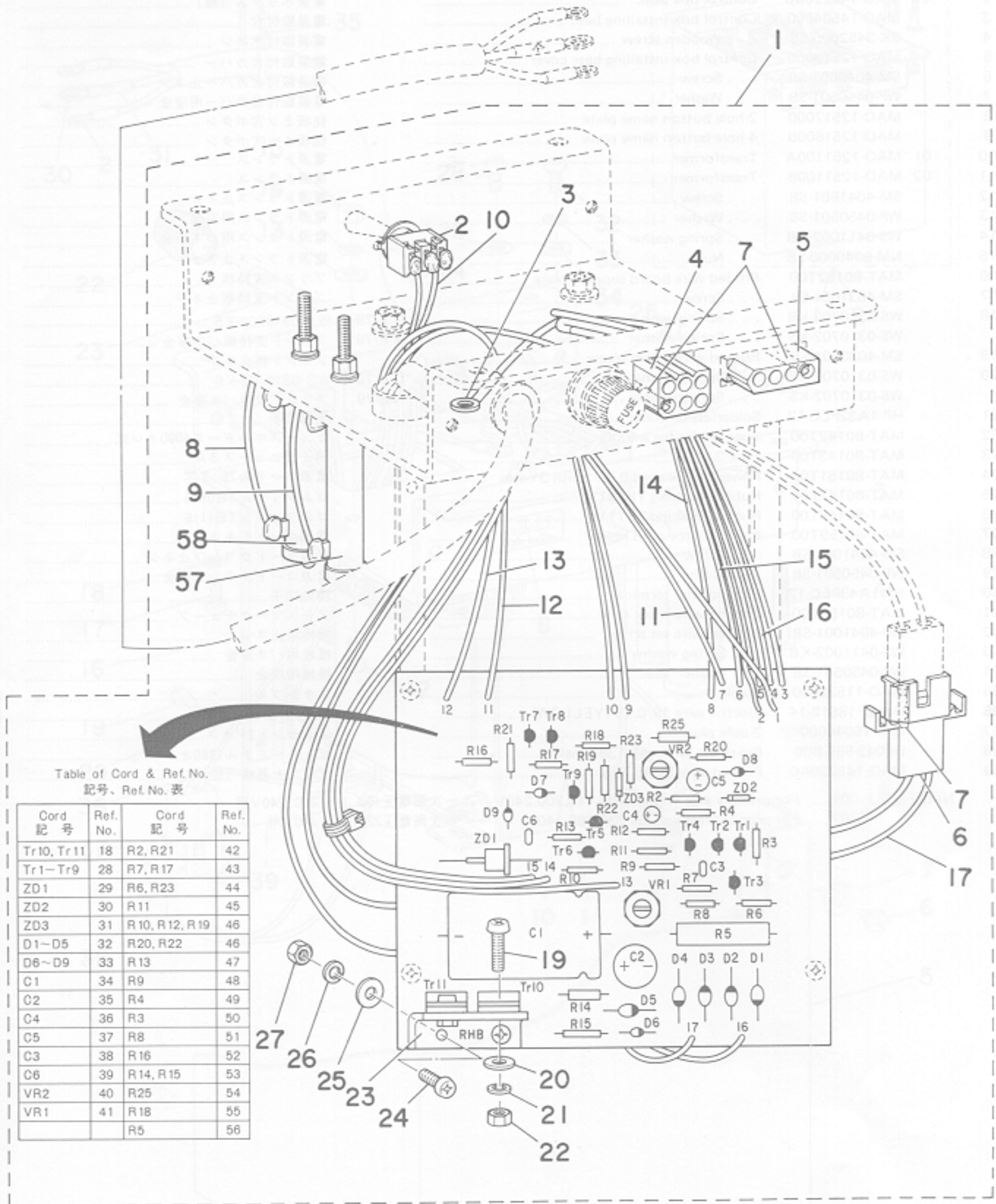


3. CONTROL BOX COMPONENTS

電装ボックス関係

Ref. No.	Note	Part No.	Description	E.C.	品名	Amt. Req.
	注記	品番		変更年月		数量
1	01	MAO-145220BA	Control box asm.		電装ボックス (組)	1
2	02	MAO-145220BB	Control box asm.		電装ボックス (組)	1
3		MAO-14504000	Control box installing base		電装取付台	(1)
4		SK-3452000-SC	Wooden screw		電装取付木ネジ	(4)
5		MAO-12513000	Control box installing base cover		電装取付台カバー	(1)
6		SM-4040601-SB	Screw		電装取付台カバー止ネジ	(4)
7		WP-0450501-SB	Washer		電装取付台カバー用座金	(4)
8		MAO-12517000	2-hole button name plate		銘板 2ツ穴ボタン	(1)
9		MAO-12516000	4-hole button name plate		銘板 4ツ穴ボタン	(1)
10	01	MAO-1251100A	Transformer		電源トランス	(1)
11	02	MAO-1251100B	Transformer		電源トランス	(1)
12		SM-4041601-SB	Screw		電源トランス止ネジ	(4)
13		WP-0450501-SB	Washer		電源トランス用座金	(4)
14		WS-0411002-KB	Spring washer		電源トランス用バネ座金	(4)
15		NM-6040000-SB	Nut		電源トランス止ナット	(4)
16		MAT-80152T00	Printed wire board support plate		プリント支持板	(2)
17		SM-4031001-SB	Screw		プリント支持板止ネジ	(2)
18		WS-0310702-KB	Spring washer	D.8/79	WS-0310702-KS	-
		WS-0310702-KS	Spring washer	A.8/79	プリント支持板バネ座金	(2)
19		SM-4030601-SB	Printed wire board screw		プリント板止ネジ	(4)
20		WS-0310702-KB	Spring washer	D.8/79	WS-0310702-KS	-
		WS-0310702-KS	Spring washer	A.8/79	プリント板用バネ座金	(4)
21		HP-1A32PLC-12	Solderless terminal		圧着端子	(2)
22		MAT-80142T00	Fuse holder for #4000		ヒューズホルダー #4000ネジ式	(1)
23		MAT-80143T00	Fuse 3A		硝子管ヒューズ 3A	(1)
24		MAT-80151T00	Power source cord 0.75 ² with 3 cores		電源コード 0.75 ² 3芯	(1.2)
25		MAT-80147T00	Rubber bushing TB0813		ゴムブッシュ TB0813	(1)
26		MAT-80148T00	Rubber bushing TB1116		ゴムブッシュ TB1116	(1)
27		MAT-80159T00	Power source cord holder		電源コード引キ止	(1)
28		SM-4041001-SB	Screw		電源コードクランプ止ネジ	(1)
29		WP-0450501-SB	Washer		電源コードクランプ座金	(1)
30		HP-1A43PEC-12	Ground wire terminal		接地端子	(2)
31		MAT-80158T00	Ground wire mark tube		アースマークチューブ	(1)
32		SM-4041001-SB	Ground wire set screw		接地用止ネジ	(1)
33		WS-0411002-KB	Spring washer		接地用バネ座金	(1)
34		WP-0450501-SB	Washer		接地用座金	(1)
35		MAO-11532000	Staple		ステンプル	(10)
36		HW-2F18S12-14	Electric wire 19/0.18 (YELLOW)		電線 19/0.18 (黄)	(0.5)
37		MAI-15040000	2-pole plug		コンセント 2Pオス	(1)
38		D6043-555-B00	Pin-shape terminal, 1380 male		ピンターミナル 1380オス	(2)
39		MAO-145230A0	Printed wire board asm.		プリント基板 (組)	(1)

Note (注記) 01 For primary side voltage 100,115,200,240V 一次側電圧100、115、200、240V用
 02 For primary side voltage 220,380,440V 一次側電圧220、380、440V用



4. PRINTED WIRE BOARD COMPONENTS

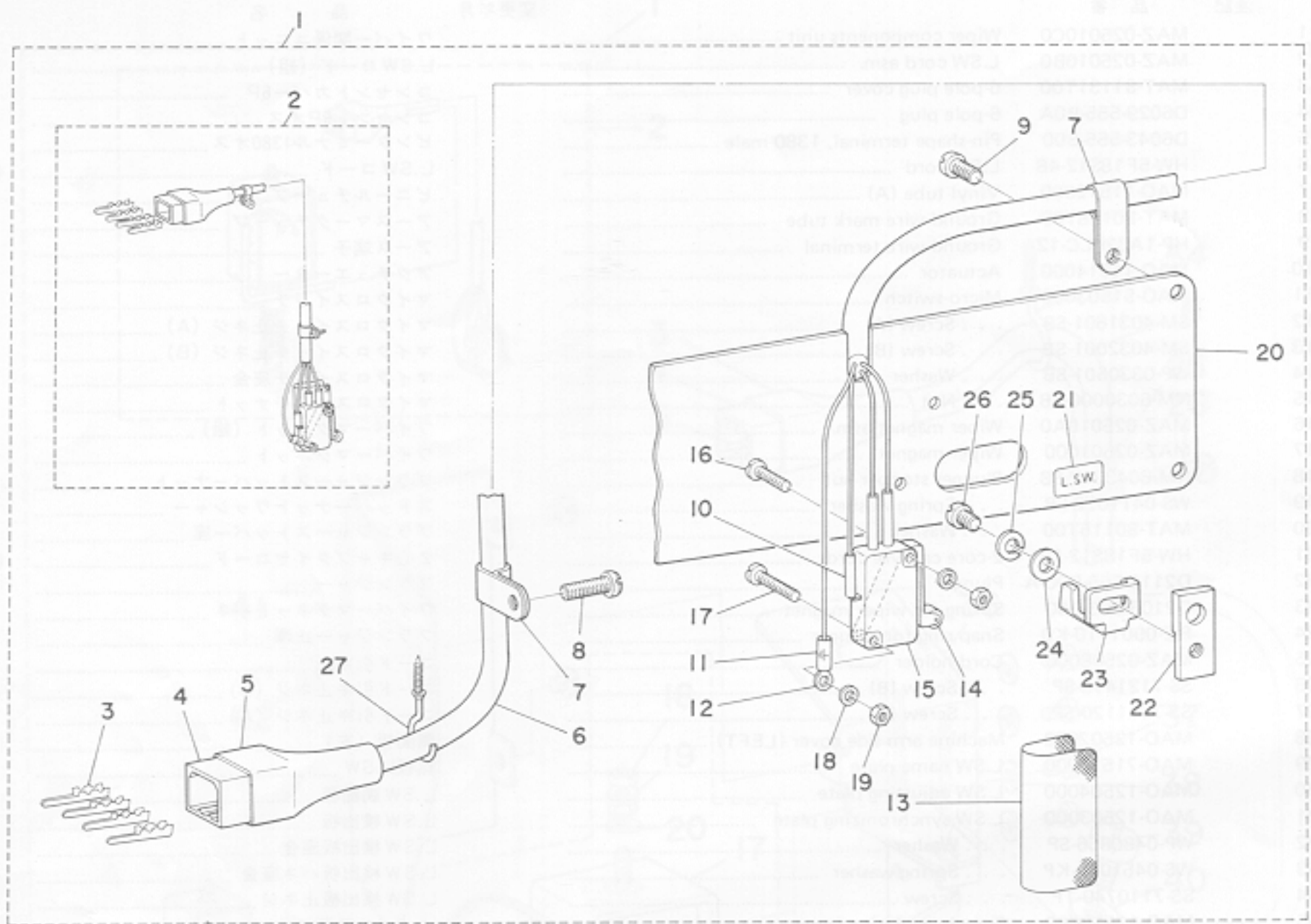
プリント基板関係

Ref. No.	Note	Part No.	Description	E.C.	Amt. Req.
	注記	品番		変更年月	数量
1		MAO-145230A0	Printed wire board asm.		1
2		MAO-14506000	Button hole changing switch		(1)
3		HP-1A43PEC-12	Ground wire terminal		(1)
4		D6029-555-B0B	6-pole socket		(1)
5		MAi-15043000	4-pole socket		(1)
6		MAi-15041000	2-pole socket		(1)
7		D6042-555-B00	Pin-shape terminal, 1381 female		(12)
8		HW-2F18S12-12	Electric wire (RED)		(0.6)
9		HW-2F18S12-15	... (GREEN)		(0.7)
10		HW-2F18S12-18	... (GREY)		(0.3)
11		HW-2F18S12-17	... (PURPLE)		(0.3)
12		HW-2F18S12-10	... (BLACK)		(0.3)
13		HW-2F18S12-16	... (BLUE)		(0.3)
14		HW-2F18S12-11	... (BROWN)		(0.2)
15		HW-2F18S12-13	... (ORANGE)		(0.2)
16		HW-2F18S12-19	... (WHITE)		(0.8)
17		HW-2F18S12-14	... (YELLOW)		(0.3)
18		HT-5L80010-04	Power transistor 2N6388 (Tr10,Tr11)		(2)
19		SM-4031201-SB	... Screw		(2)
20		WP-0330501-SB	... Washer		(2)
21		WS-0310702-KB	... Spring washer	D.8/79	-
		WS-0310702-KS	... Spring washer	A.8/79	(2)
22		NM-6030000-SB	... Nut		(2)
23		MAO-14507000	Power transistor radiator plate		(1)
24		SM-4031001-SB	... Screw		(2)
25		WP-0330501-SB	... Washer		(2)
26		WS-0310702-KB	... Spring washer	D.8/79	-
		WS-0310702-KS	... Spring washer	A.8/79	(2)
27		NM-6030000-SB	... Nut		(2)
28		HT-3C40010-S3	Transistor 2SC944 (Tr1~Tr9)		(9)
29		HG-0002400-00	Zener diode RD13BM (ZD1)		(1)
30		HG-0002300-00	Zener diode RD9AN (ZD2)		(1)
31		HG-35660P1-0T	Zener diode RD6AM (ZD3)		(1)
32		HG-2672014-7P	Diode 1N5624 (D1~D5)		(5)
33		HG-2672011-2P	Diode V06C (D6~D9)		(4)
34		HC-0002700-00	Electrolytic condenser 1000 μ F 50WV (C1)		(1)
35		HC-0002600-00	... 100 μ F 35WV (C2)		(1)
36		HC-0002200-00	... 1 μ F 50WV (C4)		(1)
37		HC-0002400-00	... 3.3 μ F 35WV (C5)		(1)
38		HC-0002300-00	Solid tantalum condenser 2.2 μ F 35WV (C3)		(1)
39		HC-0002500-00	Solid tantalum condenser 0.33 μ F 35WV (C6)		(1)
40		MAO-14502000	Variable resistor 50k Ω 1/2W (VR2)		(1)
41		MAO-14503000	Variable resistor 500k Ω 1/2W (VR1)		(1)
42		HR-0001010-20	Solid resistor 1k Ω 1/4W (R2, R21)		(2)
43		HR-0001010-30	... 10k Ω 1/4W (R7, R17)		(2)
44		HR-0001010-40	... 100k Ω 1/4W (R6, R23)		(2)
45		HR-0001015-10	... 150 Ω 1/4W (R11)		(1)
46		HR-0001020-30	... 20k Ω 1/4W (R10,R12,R19,R20,R22)		(5)
47		HR-0001022-20	... 2.2k Ω 1/4W (R13)		(1)
48		HR-0001022-40	... 220k Ω 1/4W (R9)		(1)
49		HR-0001027-20	... 2.7k Ω 1/4W (R4)		(1)
50		HR-0001033-10	... 1k Ω 1/4W		(1)
51		HR-0001047-30	... 47k Ω 1/4W (R8)		(1)
52		HR-0002010-20	... 1k Ω 1/2W (R16)		(1)
53		HR-0003010-00	... 10 Ω 1W (R25)		(2)
54		HR-0003010-10	... 100 Ω 1W (R14,R15)		(1)
55		HR-0003082-20	... 8.2k Ω 1W (R18)		(1)
56		HR-0026010-20	Oxidized metal film resistor 2.5k Ω 3W (R5)		(1)
57		HR-0027010-20	Fixed resistor 1k Ω 10W		(1)
58		HR-0028015-20	Fixed resistor 2.5k Ω 15W		(1)

5. L.SW, WIPER COMPONENTS (Z025, AO-14/Z025)

L.SW、ワイパー関係(Z025、AO-14/Z025)

Ref. No.	Note	Part No.	Description	E.C.	Amt. Req.
	注記	品番		変更年月	数量
1		MAZ-025010C0	Wiper components unit		1
2		MAZ-025010B0	L.SW cord asm.		1
3		MAT-81131T00	6-pole plug cover		(1)
4		D6029-555-B0A	6-pole plug		(1)
5		D6043-555-B00	Pin-shape terminal, 1380 male		(6)
6		HW-5F18S12-48	L.SW cord		(1.1)
7		MAO-11512000	Vinyl tube (A)		(3)
8		MAT-80158T00	Ground wire mark tube		(1)
9		HP-1A32PLC-12	Ground wire terminal		(1)
10		MAO-11514000	Actuator		(1)
11		MAO-51503000	Micro-switch		(1)
12		SM-4031601-SB	. . . Screw (A)		(1)
13		SM-4032001-SB	. . . Screw (B)		(1)
14		WP-0330501-SB	. . . Washer		(2)
15		NM-6030000-SB	. . . Nut		(2)
16		MAZ-025010A0	Wiper magnet asm.		(1)
17		MAZ-02501000	Wiper magnet		(1)
18		NM-6043212-SB	Plunger stopper nut		(2)
19		WS-0411022-SB	. . . Spring washer		(1)
20		MAT-80115T00	. . . Washer		(1)
21		HW-5F18S12-28	2-core cabtyre cords		(1.3)
22		D2118-555-B00-A	Plunger		(1)
23		D2106-555-B00	Spring for wiper magnet		(1)
24		RE-0901110-K0	Snap ring for plunger		(1)
25		MAZ-02508000	Cord holder		2
26		SS-7121410-SP	. . . Screw (B)		1
27		SS-7111120-SP	. . . Screw (A)		1
28		MAO-12502000	Machine arm side cover (LEFT)		1
29		MAO-71515000	L.SW name plate		1
30		MAO-12504000	L.SW adjusting plate		1
31		MAO-12503000	L.SW synchronizing plate		1
32		WP-0480856-SP	. . . Washer		1
33		WS-0451040-KP	. . . Spring washer		1
34		SS-7110740-TP	. . . Screw		1
35		MAO-12518000	Switch insulating paper		1
36		MAZ-02502000	Wiper magnet installing base		1
37		SM-4040601-SB	Wiper magnet screw		4
38		WP-0480856-SD	. . . Washer		4
39		SS-6151040-SP	Wiper magnet installing base screw	D.6/75	—
		SS-7151210-SP	Wiper magnet installing base screw	A.6/75	1
40		WP-0621016-SD	. . . Washer		1
41		MAZ-02503000	. . . Cover		1
42		SS-7110340-SP Screw		3
43		D2107-555-B00	Wiper link shaft (A)		1
44		RE-0250000-K0	. . . Snap ring	C.10/78	2
45		MAZ-02504000	Wiper link		1
46		SD-0550211-SP	. . . Screw		2
47		NS-6110310-SP	. . . Nut		2
48		MAZ-02505000	Wiper base		1
49		WS-0521010-KP	. . . Spring washer		1
50		SS-6121220-SP	. . . Screw		1
51		MAZ-02506000	Wiper		1
52	☆	MAZ-02507000	Wiper thread guard spring	D.1/81	—
	☆	MAZ-02507000-A	Wiper thread guard spring	A.1/81	1
53		SS-3060410-SP	. . . Screw	D.5/75	—
		SS-5060310-SP	. . . Screw	A.5/75	2
54		D2113-555-B00	Cord holder	A.7/75	1



Ref. No.	Note	Part No.	Description	E.C.	Amt. Req.
	注記	品番		変更年月	数量
1		MAO-145260A0	L.SW unit		1
2		MAO-145270A0	L.SW 6P plug asm.		1
3		D6043-555-B00	Pin-shape terminal, 1380 male		(4)
4		D6029-555-B0A	6-pole plug		(1)
5		MAT-81131T00	... Cover		(1)
6		HW-5F18S12-48	L.SW cord		(1.1)
7		MAZ-02508000	Cord holder		(2)
8		SS-7121410-SP	... Screw (B)		(1)
9		SS-7111120-SP	... Screw (A)		(1)
10		MAO-11512000	Vinyl tube (A)		(3)
11		MAT-80158T00	Ground wire mark tube		(1)
12		HP-1A32PLC-12	Ground wire terminal		(1)
13		MAO-12518000	Switch insulating paper		(1)
14		MAO-11514000	Actuator		(1)
15		MAO-51503000	Micro-switch		(1)
16		SM-4031601-SB	... Screw (A)		(1)
17		SM-4032001-SB	... Screw (B)		(1)
18		WP-0330501-SB	... Washer		(2)
19		NM-6030000-SB	... Nut		(2)
20		MAO-12502000	Machine arm side cover (LEFT)		1
21		MAO-71515000	L.SW name plate		1
22		MAO-12504000	L.SW adjusting plate		1
23		MAO-12503000	L.SW synchronizing plate		1
24		WP-0480856-SP	... Washer		1
25		WS-0451040-KP	... Spring washer		1
26		SS-7110740-TP	... Screw		1
27		D2113-555-B00	Cord holder	A.7/75	1

7. NUMERICAL INDEX OF PARTS

索引

Part No.	Page	Item	Ref. No.	Part No.	Page	Item	Ref. No.	Part No.	Page	Item	Ref. No.	Part No.	Page	Item	Ref. No.
EXCLUSIVE PARTS		専用部品		MAO-145230A0	7	4	1	HP-1A43PEC-12	5	3	30	SM-4031201-SB	7	4	19
B2633-232-000	3	2	18	MAO-145240A0	3	2	36	HP-1A43PEC-12	7	4	3	SM-4031601-SB	3	2	25
D2106-555-B00	9	5	23	MAO-145250A0	3	2	22	HR-0001010-20	7	4	42	SM-4031601-SB	9	5	12
D2107-555-B00	9	5	43	MAO-145250B0	3	2	1	HR-0001010-30	7	4	43	SM-4031601-SB	10	6	16
D2113-555-B00	9	5	54	MAO-145260A0	10	6	1	HR-0001010-40	7	4	44	SM-4032001-SB	9	5	13
D2113-555-B00	10	6	27	MAO-145270A0	10	6	2	HR-0001015-10	7	4	45	SM-4032001-SB	10	6	17
D2118-555-B00-A	9	5	22	MAO-145500FA	1	1	1	HR-0001020-30	7	4	46	SM-4040601-SB	5	3	6
D6029-555-B0A	9	5	4	MAO-145500FB	1	1	2	HR-0001022-20	7	4	47	SM-4040601-SB	9	5	37
D6029-555-B0A	10	6	4	MAO-51503000	3	2	24	HR-0001022-40	7	4	48	SM-4041001-SB	5	3	28
D6029-555-B0B	7	4	4	MAO-51503000	9	5	11	HR-0001027-20	7	4	49	SM-4041001-SB	5	3	32
D6042-555-B00	3	2	42	MAO-51503000	10	6	15	HR-0001033-10	7	4	50	SM-4041601-SB	5	3	12
D6042-555-B00	7	4	7	MAO-52001000	3	2	15	HR-0001047-30	7	4	51	SS-3060410-SP	9	5	53
D6043-555-B00	3	2	30	MAO-520030A0	3	2	13	HR-0002010-20	7	4	52	SS-5060310-SP	9	5	53
D6043-555-B00	5	3	38	MAO-71515000	9	5	29	HR-0003010-00	7	4	53	SS-6121220-SP	9	5	50
D6043-555-B00	9	5	5	MAO-71515000	10	6	21	HR-0003010-10	7	4	54	SS-6151040-SP	9	5	39
D6043-555-B00	10	6	3	MAO-72001000	3	2	10	HR-0003082-20	7	4	55	SS-7090710-SP	3	2	16
MAi15040000	3	2	35	MAT-80115T00	9	5	20	HR-0026010-20	7	4	56	SS-7110340-SP	9	5	42
MAi-15040000	5	3	37	MAT-80142T00	5	3	22	HR-0027010-20	7	4	57	SS-7110740-TP	9	5	34
MAi-15041000	3	2	43	MAT-80143T00	5	3	23	HR-0028015-20	7	4	58	SS-7110740-TP	10	6	26
MAi-15041000	7	4	6	MAT-80147T00	5	3	25	HT-3C40010-S3	7	4	28	SS-7110820-SP	3	2	21
MAi-15042000	3	2	31	MAT-80148T00	5	3	26	HT-5L80010-04	7	4	18	SS-7111120-SP	9	5	27
MAi-15043000	7	4	5	MAT-80151T00	5	3	24	HW-2F18S12-10	7	4	12	SS-7111120-SP	10	6	9
MAO-11108N00	3	2	3	MAT-80152T00	5	3	16	HW-2F18S12-11	7	4	14	SS-7121410-SP	9	5	26
MAO-11512000	3	2	28	MAT-80158T00	5	3	31	HW-2F18S12-12	7	4	8	SS-7121410-SP	10	6	8
MAO-11512000	9	5	7	MAT-80158T00	9	5	8	HW-2F18S12-13	7	4	15	SS-7151210-SP	9	5	39
MAO-11512000	10	6	10	MAT-80158T00	10	6	11	HW-2F18S12-14	5	3	36	SS-9151440-CP	3	2	7
MAO-11514000	9	5	10	MAT-80159T00	5	3	27	HW-2F18S12-14	7	4	17	SS-9165530-SP	3	2	45
MAO-11514000	10	6	14	MAT-81119T00	3	2	32	HW-2F18S12-15	7	4	9				
MAO-11532000	5	3	35	MAT-81126T00	3	2	34	HW-2F18S12-16	7	4	13	WASHER	座金		
MAO-11542000	3	2	14	MAT-81126T00	3	2	44	HW-2F18S12-17	7	4	11	WP-0330501-SB	3	2	26
MAO-11602N00	3	2	23	MAT-81131T00	9	5	3	HW-2F18S12-18	7	4	10	WP-0330501-SB	7	4	20
MAO-12002000	3	2	11	MAT-81131T00	10	6	5	HW-2F18S12-19	7	4	16	WP-0330501-SB	7	4	25
MAO-1250100A	3	2	38	MAZ-025000FA	1	1	3	HW-5F18S12-28	3	2	29	WP-0330501-SB	9	5	14
MAO-1250100C	3	2	39	MAZ-025000FB	1	1	4	HW-5F18S12-28	3	2	33	WP-0330501-SB	10	6	18
MAO-1250100D	3	2	41	MAZ-025010A0	9	5	16	HW-5F18S12-28	9	5	21	WP-0450501-SB	5	3	7
MAO-1250100E	3	2	37	MAZ-025010B0	9	5	2	HW-5F18S12-48	9	5	6	WP-0450501-SB	5	3	13
MAO-1250100J	3	2	40	MAZ-025010C0	9	5	1	HW-5F18S12-48	10	6	6	WP-0450501-SB	5	3	29
MAO-12502000	9	5	28	MAZ-02501000	9	5	17					WP-0450501-SB	5	3	34
MAO-12502000	10	6	20	MAZ-02502000	9	5	36	NUT	ナット			WP-0480856-SD	9	5	38
MAO-12503000	9	5	31	MAZ-02503000	9	5	41	NM-6030000-SB	3	2	27	WP-0480856-SP	9	5	32
MAO-12503000	10	6	23	MAZ-02504000	9	5	45	NM-6030000-SB	7	4	22	WP-0480856-SP	10	6	24
MAO-12504000	9	5	30	MAZ-02505000	9	5	48	NM-6030000-SB	7	4	27	WP-0621016-SD	9	5	40
MAO-12504000	10	6	22	MAZ-02506000	9	5	51	NM-6030000-SB	9	5	15	WP-0650876-SD	3	2	9
MAO-12505000	3	2	2	MAZ-02507000	9	5	52	NM-6030000-SB	10	6	19	WP-0651001-SB	3	2	46
MAO-12506000	3	2	20	MAZ-02507000-A	9	5	52	NM-6040000-SB	5	3	15	WP-0751576-SD	3	2	47
MAO-12507000	3	2	6	MAZ-02508000	9	5	25	NM-6043212-SB	9	5	18				
MAO-12509000	3	2	17	MAZ-02508000	10	6	7	NM-6060000-SB	3	2	5	SPRING WASHER	バネ座金		
MAO-1251100A	5	3	10					NS-6090310-SP	3	2	19	WS-0310702-KB	5	3	18
MAO-1251100B	5	3	11	ELECTRON PARTS	電子部品			NS-6110310-SP	9	5	47	WS-0310702-KB	5	3	20
MAO-12513000	5	3	5	HC-0002200-00	7	4	36	NS-6160520-SP	3	2	49	WS-0310702-KB	7	4	21
MAO-12516000	5	3	9	HC-0002300-00	7	4	38					WS-0310702-KB	7	4	26
MAO-12517000	5	3	8	HC-0002400-00	7	4	37	SNAP RING	エリリング			WS-0310702-KS	5	3	18
MAO-12518000	9	5	35	HC-0002500-00	7	4	39	RE-0320610-KX	3	2	12	WS-0310702-KS	5	3	20
MAO-12518000	10	6	13	HC-0002600-00	7	4	35	RE-0250000-K0	9	5	44	WS-0310702-KS	7	4	21
MAO-14502000	7	4	40	HC-0002700-00	7	4	34	RE-0901110-K0	9	5	24	WS-0310702-KS	7	4	26
MAO-14503000	7	4	41	HG-0002300-00	7	4	30					WS-0411002-KB	5	3	14
MAO-14504000	5	3	3	HG-0002400-00	7	4	29	SCREW	ネジ			WS-0411002-KB	5	3	33
MAO-14506000	7	4	2	HG-2672011-2P	7	4	33	SD-0550211-SP	9	5	46	WS-0411022-SB	9	5	19
MAO-14507000	7	4	23	HG-2672014-7P	7	4	32	SK-3452000-SC	5	3	4	WS-0451040-KP	9	5	33
MAO-145220BA	5	3	1	HG-35660P1-0T	7	4	31	SM-4030601-SB	5	3	19	WS-0451040-KP	10	6	25
MAO-145220BB	5	3	2	HP-1A32PLC-12	5	3	21	SM-4031001-SB	5	3	17	WS-0521010-KP	9	5	49
MAO-145230A0	5	3	39	HP-1A32PLC-12	9	5	9	SM-4031001-SB	7	4	24	WS-0651510-KP	3	2	4
				HP-1A32PLC-12	10	6	12					WS-0651510-KP	3	2	8
												WS-0651510-KP	3	2	48