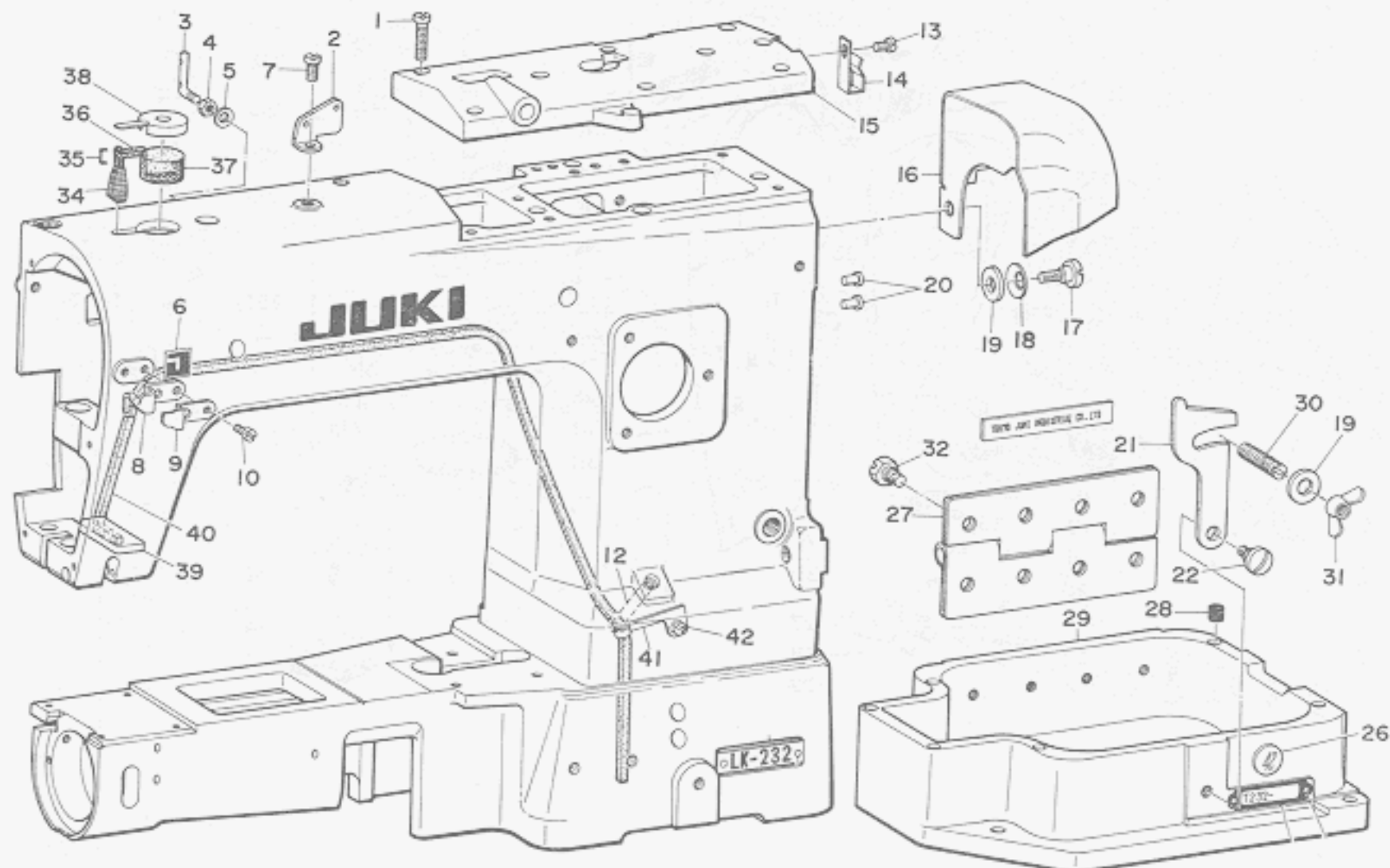
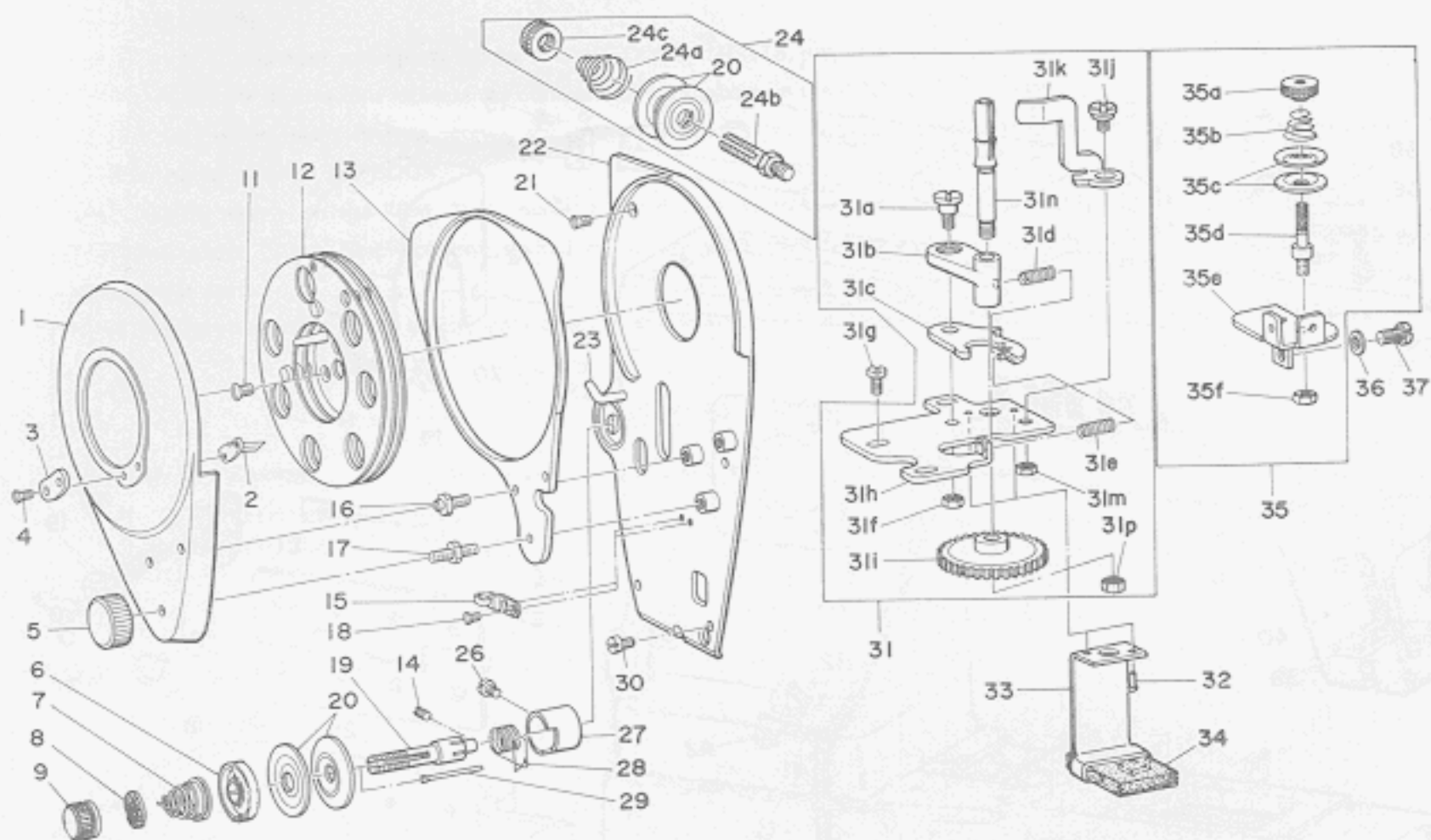


1. FRAME COMPONENTS



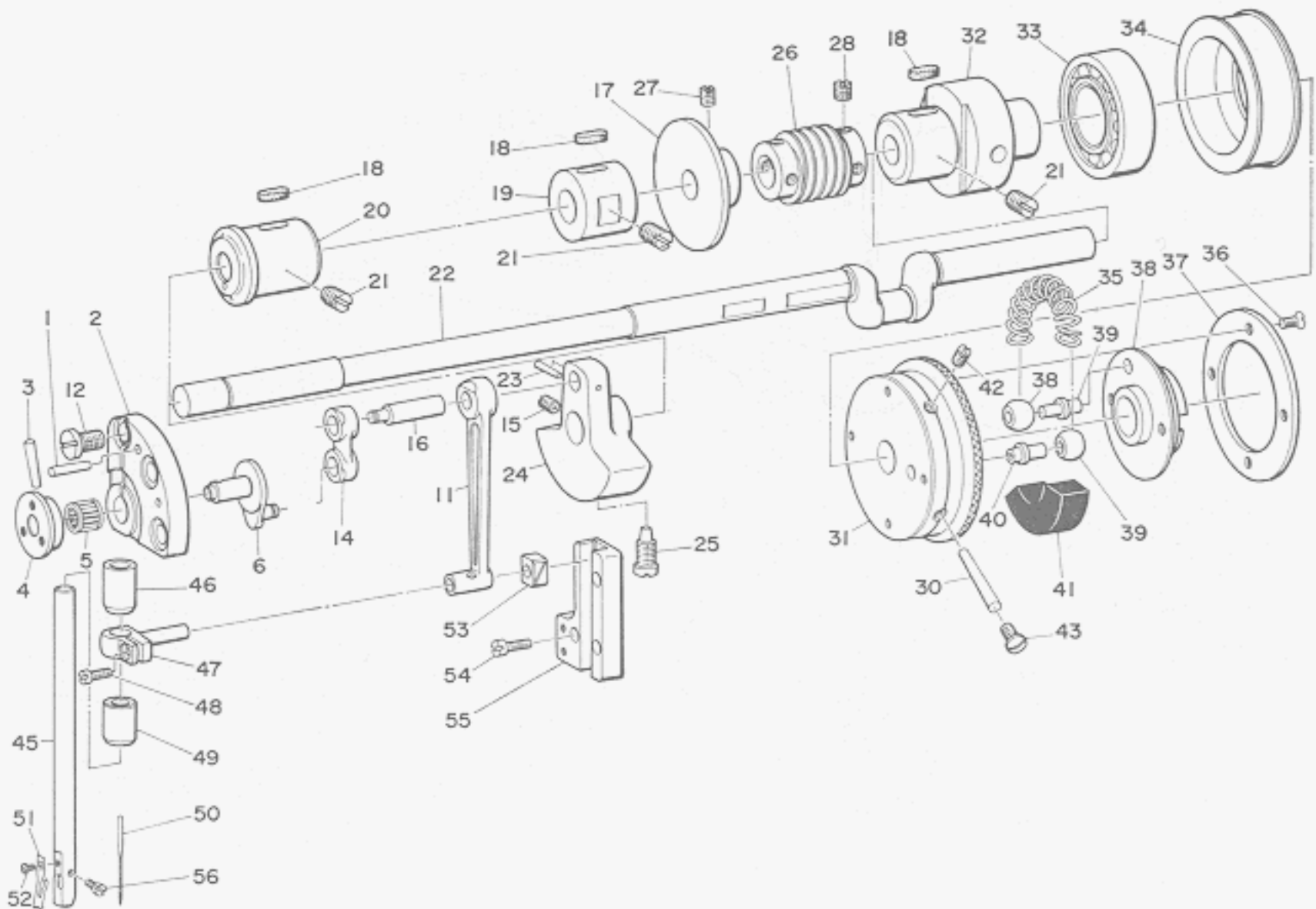
Ref. No.	Part No.	Description	Amt. Req.	Ref. No.	Part No.	Description	Amt. Req.
1	SS-6151920-SP	Clamp screw, for top cover	4	26	B-1116-232-000	Stitch number indicator, for 42 stitches	1
2	B-1111-232-000	Frame thread guide, upper	1	27	B-1105-232-0A0	Hinge complete	1
3	B-1114-232-000	Frame thread eyelet, upper	1	28	B-1103-232-000	Rubber cushion	6
4	NS-6110530-SP	. . . Nut	1	29	B-1104-232-000	Machine sub-base	1
5	WP-0501016-SD	. . . Washer	1	30	B-1110-232-000	Stop screw, for catch	1
6	B-1178-092-000	JUKI mark	1	31	B-2532-232-000	. . . Wing nut	1
7	SS-7151210-SP	Clamp screw, for thread guide, upper	1	32	SD-0800351-SP	Clamp screw, for hinge	8
8	B-1118-232-000	Frame thread guide, lower	1	34	B-1230-232-000	Oil dripped cloth	1
9	B-1119-232-000	. . . Spring	1	35	B-1419-026-000	Oil wick holder	2
10	SS-7090910-SP	. . . Clamp screw	2	36	CO-3030000-00	Oil wick	1
12	B-1125-232-000	Oil supply tube, for oscillating rock shaft	1	37	B-1228-232-000	Oil felt	1
13	SS-7110710-SP	Clamp screw, for belt guard spring	1	38	B-1227-232-000	. . . Cover	1
14	B-1122-232-000	Belt guard spring	1	39	B-1408-232-000	Oil felt, for needle bar crank guide	1
15	B-1107-232-000	Frame top cover	1	40	B-3541-012-000	Oil return felt	1
16	B-1120-232-000	Belt guard	1	41	B-3506-761-000	. . . Holder	1
17	SD-0790511-SP	. . . Clamp screw	1	42	SS-7110710-SP Screw	1
18	B-1121-232-000	. . . Spring washer	1				
19	WP-0850002-SD	. . . Washer	2				
20	B-1223-232-000	Positioning pin, for arm shaft	2				
21	B-1109-232-000	Catch (securing machine arm to bed)	1				
22	SD-0800352-SP	. . . Clamp screw	1				

2. FACE PLATE, THREAD CONTROLLER & BOBBIN THREAD WINDER COMPONENTS



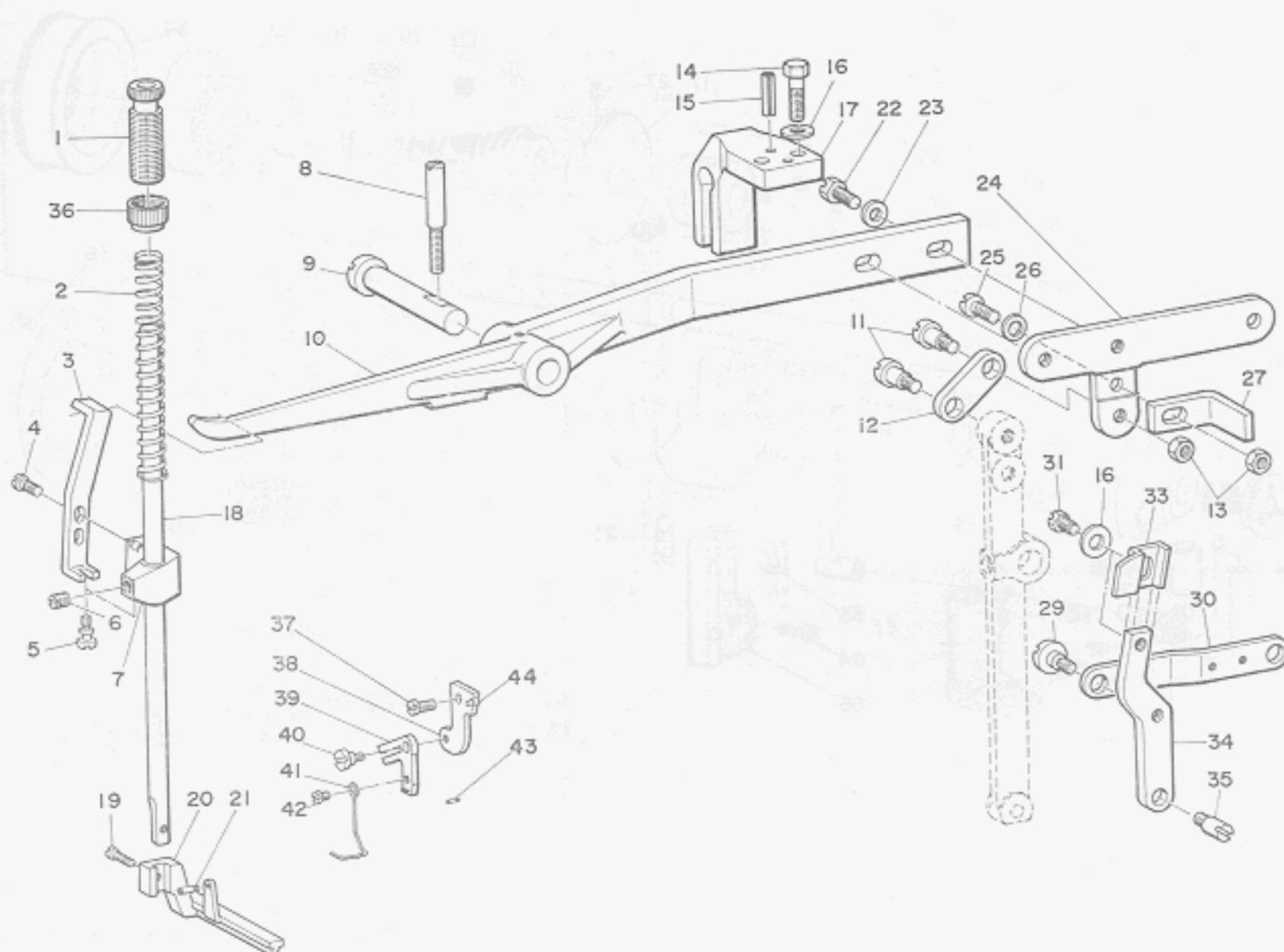
Ref. No.	Part No.	Description	Amt. Req.	Ref. No.	Part No.	Description	Amt. Req.
1	B-3102-232-000	Face plate cover	1	* 31	B-3201-232-0A0	Bobbin winder complete	1
2	B-3120-232-000	Take-up thread trimmer	1	31a	B-3205-232-000	Hinge screw, for frame	①
3	B-3121-232-0001	. . . Retainer	1	31b	B-3204-232-000	Bobbin winder frame	①
4	SS-2060410-SP	. . . Clamp screw	2	31c	B-3206-232-000	Bobbin winder tension bracket	①
5	B-3109-232-000	Face plate cover knob	1	31d	B-3208-232-000	. . . Spring (short)	①
*	B-3113-232-0A0	Tension No. 2 assembly	1	31e	A-3222-958-000	Bobbin winder spring (long)	①
6	B-3132-552-000	Tension disc holder	①	31f	NS-6110310-SP	Nut, for hinge screw	①
7	B-3114-232-000	Tension spring No. 2	①	31h	B-3201-232-000	Bobbin winder base	①
8	B-3120-125-000	Tension disc stop	①	31i	B-3203-232-000	Bobbin winder worm wheel	①
9	B-3116-125-000	Tension nut	①	31j	SD-0720193-SP	Hinge screw, for trip latch	①
19	B-3113-232-000	Tension post No. 2	①	31k	B-3210-232-000	Bobbin winder trip latch	①
20	B-3126-012-000	Tension disc	②	31m	NS-6110310-SP	Nut, for trip latch hinge screw	①
29	B-3111-232-000	Tension release pin	①	31n	B-3202-232-000	Bobbin winder spindle	①
11	SS-2110930-SP	Clamp screw, for thread take-up disc	3	31p	NS-6120310-SP	Clamp nut, for bobbin winder worm wheel	①
12	B-1901-232-0A0	Thread take-up disc complete	1	31g	SS-7110910-SP	Clamp screw, for bobbin winder	3
13	B-3106-232-000	Thread take-up disc frame	1	32	B-3211-232-000	Positioning pin, oil supply bracket	2
14	SS-8090870-SP	Clamp screw, for tension post	1	33	B-3212-232-000	Worm wheel oil supply bracket	1
15	B-3104-232-000	Face plate thread guide	1	34	B-3213-232-000	. . . Oil felt	1
16	B-3108-232-000	Hinge screw (A), for frame	2	* 35	B-3217-232-0A0	Bobbin winder tension bracket complete	1
17	B-3122-232-000	Hinge screw (B), for frame	1	35a	B-3216-047-000	. . . Tension nut	①
18	SS-2060310-SP	Clamp screw, for face plate thread guide	2	35b	B-3218-232-000	. . . Tension spring	①
21	SS-2090520-SL	Clamp screw (B), for face plate	1	35c	B-3214-047-000	. . . Tension disc	②
* 22	B-3101-232-0B0	Face plate complete	1	35d	B-3219-232-000	. . . Tension post	①
* 24	B-1115-232-0A0	Tension controller No. 1	1	35e	B-3217-232-000	. . . Tension bracket	①
24a	B-1115-232-000	Tension spring No. 1	①	35f	NS-6110310-SP	. . . Tension post nut	①
20	B-3126-012-000	Tension disc No. 1	②	36	WP-0480856-SP	Washer, for tension bracket	1
24b	B-3123-352-000	Tension post No. 1	①	37	SS-7110840-SP	Clamp screw, for tension bracket	1
24c	B-3125-012-000	Tension nut No. 1	①				
26	SS-7080410-SP	Clamp screw, for tension sleeve	1				
27	B-3112-232-000	Tension sleeve	1				
28	B-3128-232-000	Take-up spring	1				
30	SS-3090610-SP	Clamp screw (A), for face plate	3				

3. MAIN SHAFT & NEEDLE BAR COMPONENTS



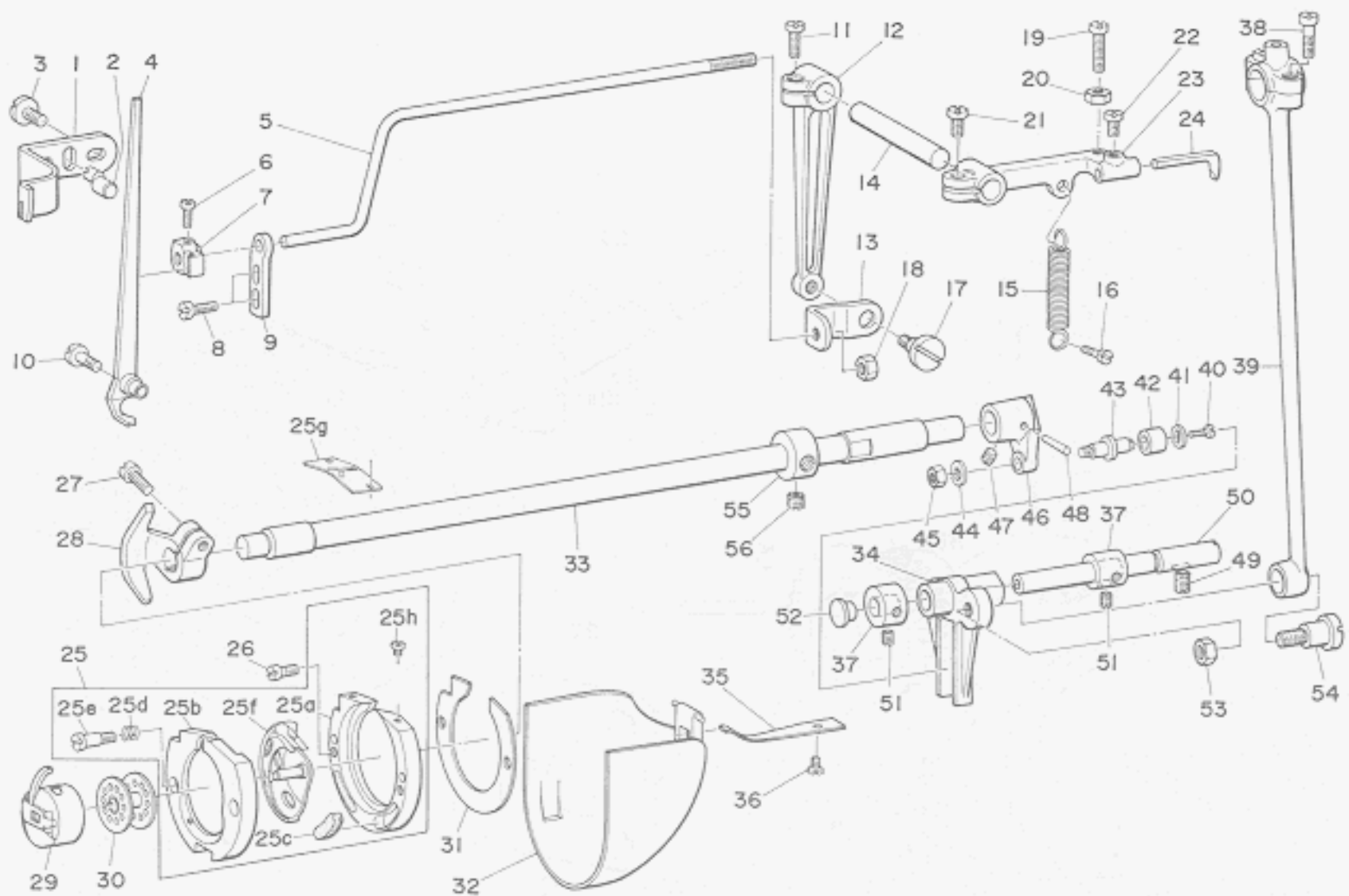
Ref. No.	Part No.	Description	Amt. Req.	Ref. No.	Part No.	Description	Amt. Req.
1	PT-0401800-SO	Positioning pin, for needle bar crank	2	31	B-1207-232-0A0A	Driving pulley (with pin)	1
*	B-1217-232-0A0	Needle bar crank assembly	1	32	B-1204-232-000	Main shaft bushing, rear, complete	1
2	B-1217-232-000	Needle bar crank	①	33	B-1206-232-000	Ball bearing, for idler pulley	1
3	PT-0302000-SO	Positioning pin, for thrust plate	①	34	B-1205-232-000	Idler pulley	1
4	B-1220-232-000	Thrust plate	①	35	B-1211-232-000	Stop cam spring	①
5	B-1219-232-E00	Needle bearing hinge stud	①	36	SS-2110920-TP	Clamp screw, for cap ring	4
6	B-1218-232-000A	Needle bar crank hinge stud	①	37	B-1213-232-000	Stop cam cap ring	1
11	B-1215-232-000	Needle bar connecting link	1	38	B-1208-232-000	Stop cam	1
12	SS-6201940-SP	Clamp screw, for needle bar crank	3	39	B-1210-232-000	Stop cam hinge pin check block	2
14	B-1221-232-000	Needle bar crank connecting link	1	40	B-1209-232-000	Stop cam hinge pin	1
15	SS-8150760-TP	Clamp screw (B), for counterweight	1	41	B-1212-232-000	Bakelite segment	1
16	B-1216-232-000A	Needle bar connecting link hinge pin	1	42	SS-8150410-TP	Clamp screw, for driving pulley	1
17	B-3215-232-000	Bobbin winder friction wheel	1	43	SS-5150540-SP	Oil seal screw, for driving pulley	3
18	B-1702-012-000	Oil felt, for main shaft bushing	3	45	B-1401-232-000	Needle bar	1
19	B-1203-232-000	Main shaft bushing, center	1	46	B-1405-232-000	. . . Upper bushing	1
20	B-1202-232-000	Main shaft bushing, front	1	47	B-1403-232-000	Needle bar connection	1
21	SS-8701140-SP	Clamp screw, for main shaft bushing	4	48	SS-7091110-TP	. . . Clamp screw	①
22	B-1201-232-000	Main shaft	1	49	B-1406-232-000	Lower bushing, for needle bar	1
23	PT-0251800-SH	Positioning pin, for counterweight	1	50	MLQ-500B1800	Needle (LQx5, #18)	1
24	B-1214-232-000	Counterweight	1	51	B-2018-232-000	Thread nipper	1
25	SS-7681750-TP	. . . Clamp screw (A)	1	52	SS-5060310-SP	. . . Screw	1
26	B-2207-232-000	Feed cam driving worm	1	53	B-1414-232-000	Needle bar connection slide block	1
27	SS-8150710-SP	Clamp screw, for friction wheel	2	54	SS-6091210-TP	Screw, for needle bar crank guide	3
28	SS-8660610-TP	Clamp screw, for feed cam driving worm	8	55	B-1404-232-000	Needle bar crank guide	1
30	PT-0402200-C0	Positioning pin, for driving pulley	1	56	SS-7080510-SP	Needle set screw	1

4. PRESSER BAR & LIFTING LEVER COMPONENTS



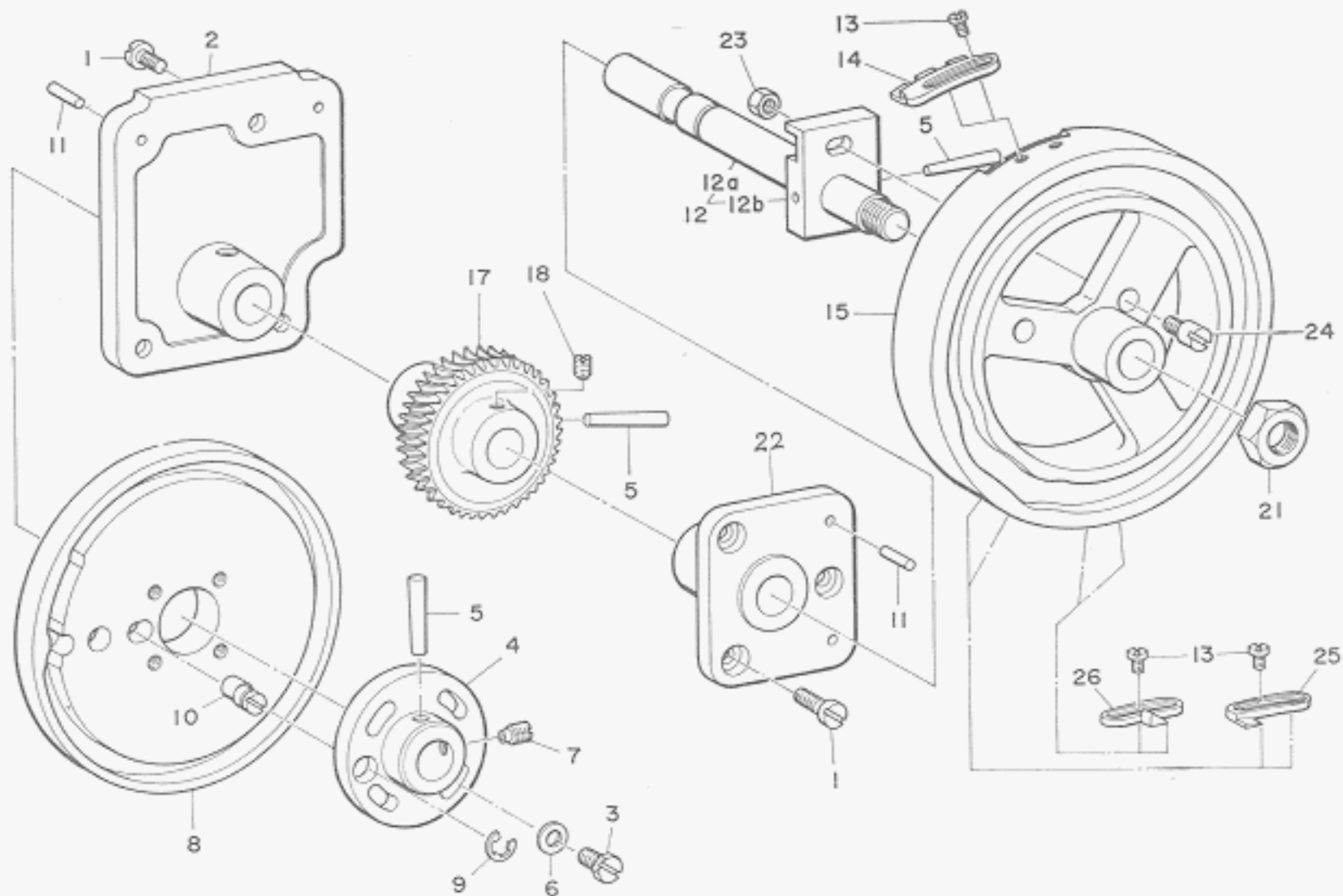
Ref. No.	Part No.	Description	Amt. Req.	Ref. No.	Part No.	Description	Amt. Req.
1	B-1509-012-000	Presser spring regulator	1	21	B-2105-232-000	Positioning pin, for thread wiper wire	1
2	B-1518-232-000	Presser bar spring	1	22	SS-9151630-CP	Set screw, for chain suspending holder	2
3	B-1505-232-000	Lifting bracket link	1	23	WP-0621016-SD	Washer	2
4	SS-6111010-TP	Clamp screw	2	24	B-1507-232-000	Chain suspending holder	1
5	B-1523-232-000	Regulating screw	1	25	SS-7151210-SK	Set screw, for lifting lever bracket	1
6	SS-8150410-SP	Clamp screw, for presser bar lifting bracket	1	26	WP-0651056-SD	Washer	1
7	B-1504-232-000	Presser bar lifting bracket	1	27	B-1521-232-000	Lifting lever bracket	1
8	B-1524-232-000	Clamp screw, for lifting lever pin	1	29	SD-0790303-SP	Hinge screw, for lifting lever link	2
9	B-1516-232-000	Lifting lever pin	1	30	B-1522-232-000	Lifting lever link	1
10	B-1506-232-000	Lifting lever	1	31	SS-9150860-SP	Set screw, for lifting lever link	1
11	SD-0800553-SP	Hinge screw, for tripping lever link	2	33	B-1520-232-000	Lifting lever stop	1
12	B-1510-232-000	Knife bar tripping lever link	1	34	B-1519-232-000	Lifting lever stop bracket	1
13	NS-6150310-SP	Nut, for tripping lever link & lifting lever bracket	3	35	B-1525-232-000	Hinge screw	1
14	SS-9152130-CP	Clamp screw, for lifting lever guide	2	36	NS-2820850-SP	Lock nut	1
15	PS-0500202-KP	Positioning pin, for lifting lever guide	2	37	SS-7120910-SP	Screw	1
16	WP-0621016-SD	Slip washer, for lever guide & chain	3	38	B-2104-232-000	Wiper bracket	1
17	B-1515-232-000	Lifting lever guide	1	39	B-2102-232-000	Wiper link	1
18	B-1502-232-000	Presser bar	1	40	SD-0550271-TP	Hinge screw	1
19	SS-7091110-TP	Clamp screw, for clamp foot lifting lever	1	41	B-2101-232-000	Wiper	1
20	B-1501-232-000	Clamp foot lifting lever	1	42	SS-6090420-SP	Screw	1
				43	B-2106-232-000	Pin	2
				44	B-2107-232-000	Pin	1

5. THREAD NIPPER, WIPER & SHUTTLE DRIVER SHAFT COMPONENTS



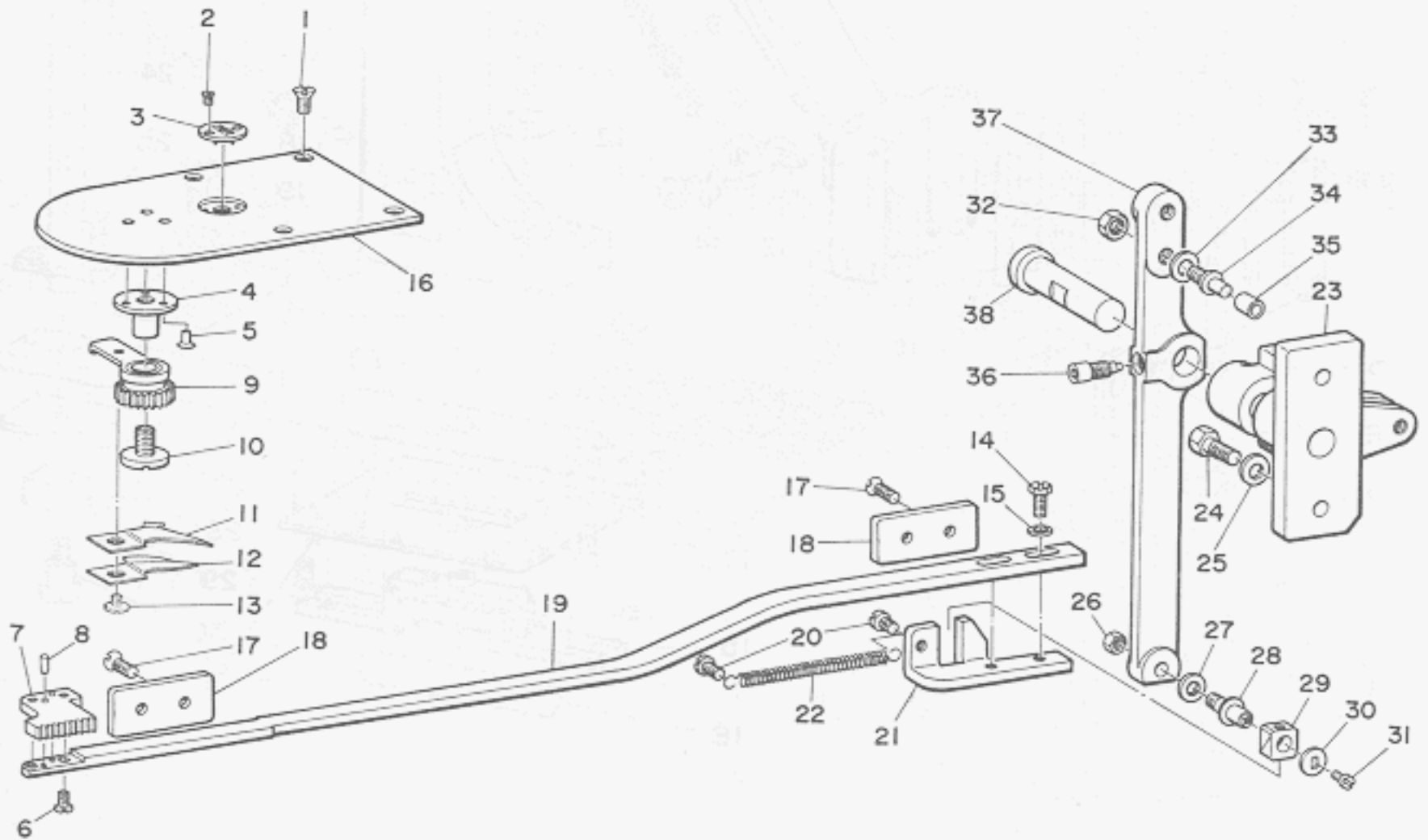
Ref. No.	Part No.	Description	Amt. Req.	Ref. No.	Part No.	Description	Amt. Req.
*4	B-2015-232-0A0	Thread nipper lever complete	1	26	SS-7110860-SP	Clamp screw, for shuttle race	2
10	SD-0400841-SP	Hinge screw, for thread nipper	①	28	B-1810-232-000	Shuttle driver (with screw)	1
5	B-2020-232-000	Thread nipper rod	1	27	SS-6121212-TP	Clamp screw, for shuttle driver	①
7	B-2013-232-000	Thread nipper rod extension	1	29	B-1836-232-0A0	Bobbin case	1
6	SS-6080810-SP	Clamp screw, for extension	1	30	A-9117-001-000	Bobbin	1
8	SS-7091110-SP	Clamp screw, for bearing bracket	2	31	B-9101-232-000	Spacing washer	1
9	B-2014-232-000	Thread nipper rod bearing bracket	1	32	B-1824-232-0A0	Cylinder arm cap complete	1
12	B-2010-232-000	Thread nipper crank	1	33	B-1809-232-000	Shuttle driver shaft	1
11	SS-7111120-SP	Binding screw, for thread nipper crank	1	34	B-1804-232-000	Oscillating rock shaft	1
13	B-2011-232-000	Thread nipper rod joint	1	35	B-1821-232-000	Cylinder arm cap spring	1
14	B-2009-232-000	Thread nipper stud	1	36	SS-7090510-SP	. . . Clamp screw	1
1	B-2021-232-000A	Thread nipper stopper	1	*37	CS-0791016-SH	Thrust collar, for oscillating rock	2
2	B-2022-232-000A	. . . Adjusting shaft	1	38	SS-7111310-SP	Clamp screw, for connecting rod cap	②
3	SS-6111140-SP	. . . Screw	2	39	B-1801-232-0A0	Shuttle drive connecting rod	1
15	B-2007-232-000	Tension spring, for tripping lever	1	40	SS-6080610-TP	End screw, for shuttle driver shaft crank	1
16	SS-6111040-SP	. . . Suspension screw	1	41	B-1829-232-000	. . . Washer	1
17	SD-0790303-SP	Hinge screw, for joint	1	42	B-1828-232-000	Slide roller, for shuttle drive shaft crank	1
18	NS-6620310-SP	Nut, for thread nipper rod	1	43	B-1827-232-000	Slide roller stud	1
19	SS-6111610-SP	Set screw, for tripping lever	1	44	WP-0501016-SD	. . . Thrust washer	1
20	NS-6110530-SP	. . . Nut	1	45	NS-6120310-SP	. . . Nut	1
21	SS-9151120-CP	Clamp screw, for tripping lever	1	46	B-1806-232-000	Shuttle driver shaft crank	1
22	SS-7110740-TP	Clamp screw, for finger	1	47	SS-8110410-TP	. . . Stop screw	1
23	B-2001-232-000	Thread nipper tripping lever	1	48	PT-0301600-SO	. . . Positioning pin	1
24	B-2002-232-000	. . . Finger	1	49	SS-8150710-SP	Clamp screw, for oscillating rock shaft hinge pin	1
*25	B-1812-232-0B0	Shuttle race complete (with shuttle)	1	50	B-1805-232-000	Oscillating rock shaft hinge pin	1
	B-1812-232-0A0	Shuttle race complete	(1)	51	SS-8110520-TP	Clamp screw, for thrust collar	④
25a	B-1812-232-000	Shuttle race	①	52	B-1807-232-000	Cap, for hinge pin	1
25b	B-1813-232-000	Shuttle race ring	①	53	NS-6660430-SP	Nut, for hinge screw	1
25c	B-1814-232-000	Oil felt, for shuttle	②	54	SD-1030931-SP	Hinge screw, for connecting rod	1
25d	B-1815-232-000	Pressure spring, for ring	②	55	CS-1201011-SH	Thrust collar, for shuttle driver shaft	1
25e	SD-0500803-SL	Clamp screw, for ring	②	56	SS-8660530-TP	. . . Clamp screw	2
25f	B-1823-232-000	Shuttle	①				
25h	SS-6060340-SP	Clamp screw, for shuttle race spring	①				
25g	B-1816-232-000	Shuttle race spring	1				

6. FEED CAM COMPONENTS



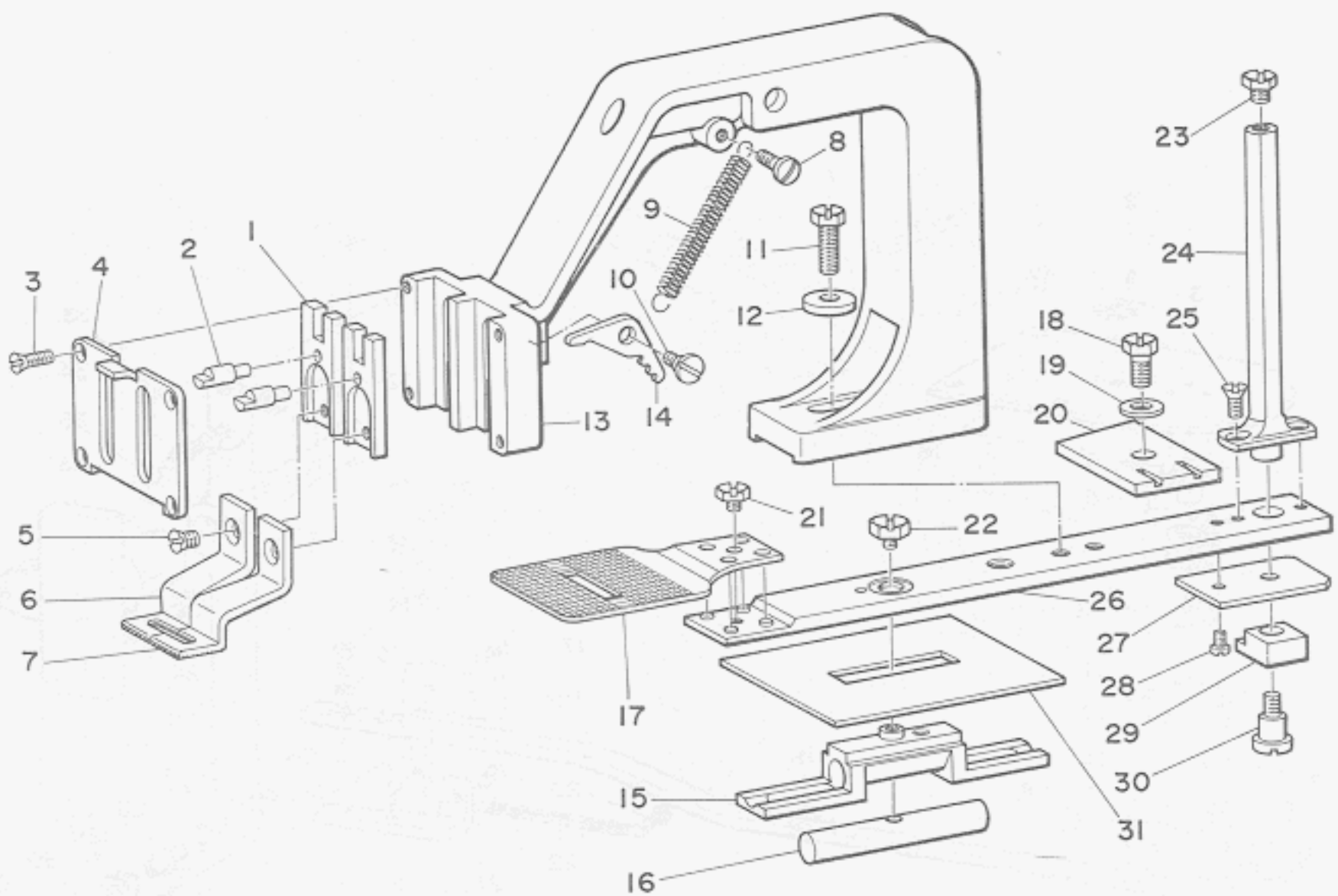
Ref. No.	Part No.	Description	Amt. Req.	Ref. No.	Part No.	Description	Amt. Req.
1	SS-7151210-SP	Clamp screw, for bearing bracket	6	13	SS-7090520-TP	Clamp screw, for tripping segment	6
2	B-2204-232-000	Worm shaft bearing bracket, rear	1	14	B-2220-232-000	Thread nipper tripping segment, for 42 & 21 stitches	1
3	SS-9151630-CP	Clamp screw, for knife cam	4	15	B-2209-232-000	Feed cam, for 42 stitches	1
4	B-2212-232-000	Knife cam positioning flange	1	17	B-2206-232-000	Feed cam driving worm wheel	1
5	PT-0503200-SH	. . . Positioning pin	4	18	SS-8151150-TP	. . . Clamp screw	2
6	WP-0621016-SD	. . . Washer	4	21	NS-6361040-SP	Lock nut, for feed cam	1
7	SS-8151150-TP	. . . Clamp screw	1	22	B-2205-232-000	Worm wheel shaft bearing	1
8	B-2211-232-000	Knife cam, for 42 stitches	1	23	NS-6150540-SP	Nut, for position stud	1
9	RE-0600000-KO	Washer, for hinge stud	1	24	B-2202-232-000	Feed cam position stud	1
10	B-2218-232-000	Knife cam regulating hinge stud	1	25	B-2213-232-000	Stop tripping segment (A)	1
11	PT-0401800-SO	Positioning pin, for bearing bracket	4	26	B-2214-232-000	Stop tripping segment (B)	1
12	B-2201-232-0A0	Worm wheel shaft complete	(1)				
12a	B-2201-232-000	Worm wheel shaft	1				
12b	B-2203-232-000	Lock plate, for feed cam	1				

7. KNIFE BAR & NEEDLE PLATE COMPONENTS



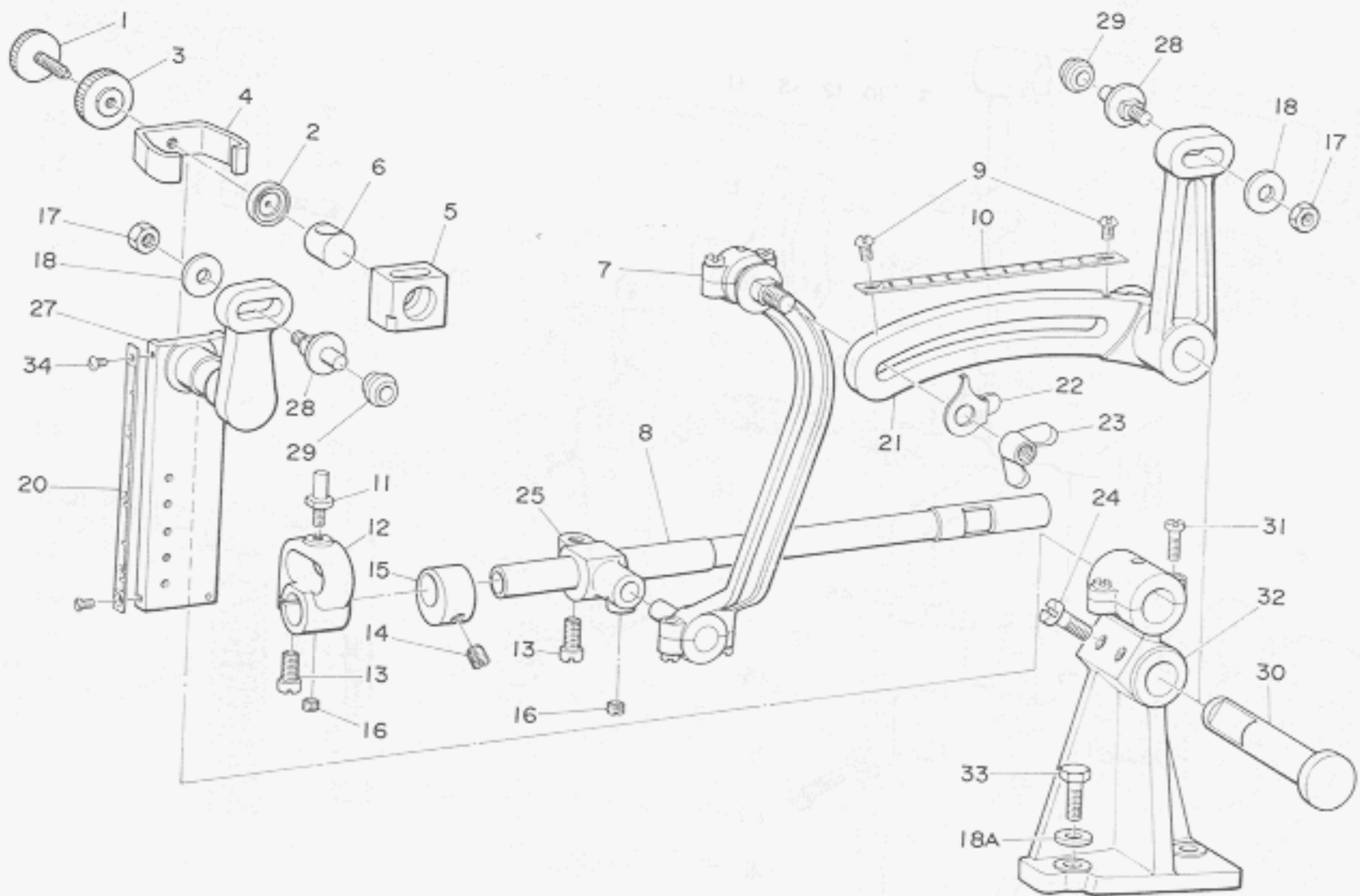
Ref. No.	Part No.	Description	Amt. Req.	Ref. No.	Part No.	Description	Amt. Req.
1	SS-1110640-TP	Clamp screw, for needle plate	4	21	B-2411-232-000	Knife bar tripping fork	1
2	SS-2060220-SP	Clamp screw, for needle hole guide	2	22	B-2416-232-000	Knife bar tension spring	1
3	B-2426-232-000	Needle plate needle hole guide	1	23	B-2407-232-000	Knife bar tripping lever bearing	1
4	B-2428-232-000	Pinion stud, for stationary knife	1	24	SS-9151630-CP	... Clamp screw	2
5	B-2429-232-000	... Tapered pin	3	25	WP-0621016-SD	... Washer	2
6	SS-6090510-SP	Clamp screw, for stationary knife	2	26	NS-6120310-SP	... Nut	1
7	B-2414-232-000	Stationary knife	1	27	WP-0501016-SD	Washer, for slide block stud	1
8	B-1826-232-000	... Positioning pin	2	28	B-1827-232-000	Slide block stud, for tripping lever	1
9	B-2432-232-0A0	Knife holder pinion stud bracket	1	29	B-1414-232-000	Slide block, for tripping lever	1
10	SS-7161040-SP	Clamp screw, for pinion stud	1	30	B-1829-232-000	... Washer	1
11	B-2424-232-000	Bobbin thread knife	1	31	SS-6080610-TP	... Set screw	1
12	B-2423-232-000	Needle thread knife	1	32	NS-6150540-SP	Nut, for roller stud	1
13	SS-7080310-SP	Clamp screw, for knife	1	33	WP-0621016-SD	Washer, for roller stud	1
14	SS-9110920-CP	Clamp screw, for knife bar tripping fork	2	34	B-2402-232-000	Roller stud, for tripping lever	1
15	WS-0451040-KP	... Washer	2	35	B-2403-232-000	Roller, for tripping stud	1
16	B-2425-232-000	Needle plate	1	36	SS-6151142-TP	Clamp screw, for tripping lever	1
17	SS-2110920-TP	Clamp screw, for position bracket	4	37	B-2401-232-000	Knife bar tripping lever	1
18	B-2413-232-000	Knife bar position bracket	2	38	B-2408-232-000	Knife bar tripping lever stud	1
19	B-2410-232-000	Knife bar	1				
20	SS-7110860-SP	Spring suspension screw	2				

8. WORK CLAMP & FEED PLATE CARRIER BAR COMPONENTS



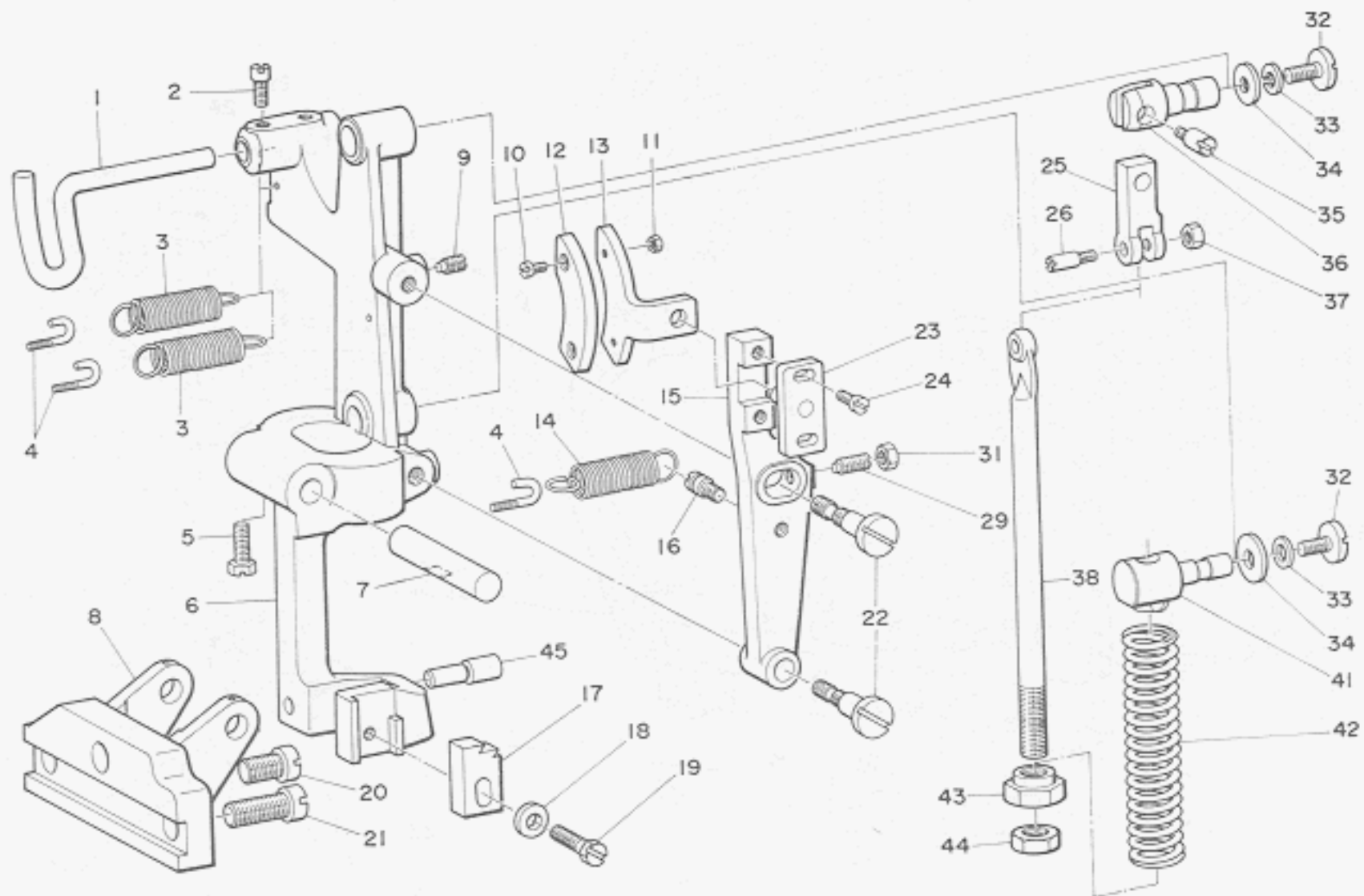
Ref. No.	Part No.	Description	Amt. Req.	Ref. No.	Part No.	Description	Amt. Req.
1	B-2523-232-000	Work clamp foot bracket	2	17	B-2517-232-000	Feed plate	1
2	B-2524-232-000	. . . Positioning pin	2	18	SS-9151120-CP	Clamp screw, for guide plate	1
3	SS-2111140-SP	Clamp screw, for face plate	4	19	WP-0621016-SD	. . . Washer	1
4	B-2525-232-000	Work clamp face plate	1	20	B-2519-232-000	Feed plate carrier bar guide plate	1
5	SS-1110640-TP	Clamp screw, for work clamp foot	2	21	SS-9110463-CP	Clamp screw, for feed plate	1
*	B-2550-232-0A0	Work clamp foot complete	1	22	SS-9110460-CP	Clamp screw, for feed across driving block	1
6	B-2551-232-000	Work clamp foot, left	①	23	SS-9110543-SP	Stop screw, for feed regulator post	1
7	B-2550-232-000	Work clamp foot, right	①	24	B-2505-232-000	Feed regulator post	1
8	SD-0480251-SP	Clamp screw, for pressure spring	2	25	SS-1110810-SP	. . . Clamp screw	2
9	B-2546-232-000	Pressure spring	2	26	B-2512-232-0A0	Feed plate carrier bar	1
10	SD-0640241-SP	Hinge screw, for work clamp hook	2	27	B-2515-232-000	Feed plate carrier bar guide plate, rear	1
11	SS-9151440-CP	Clamp screw, for work clamp frame	1	28	SS-7080510-SP	. . . Stop screw	1
12	WP-0612516-SD	. . . Washer	1	29	B-2513-232-000	Feed plate carrier bar slide block	1
13	B-2520-232-000	Work clamp frame	1	30	SD-0850751-SP	. . . Hinge screw	1
14	B-2521-232-000	Work clamp hook	2	31	B-2545-232-000	Feed plate carrier bar slide plate	1
15	B-2543-232-000	Feed across driving block	1				
16	B-2544-232-000	Feed across driving block pin	1				

9. FEED ACROSS SHAFT COMPONENTS



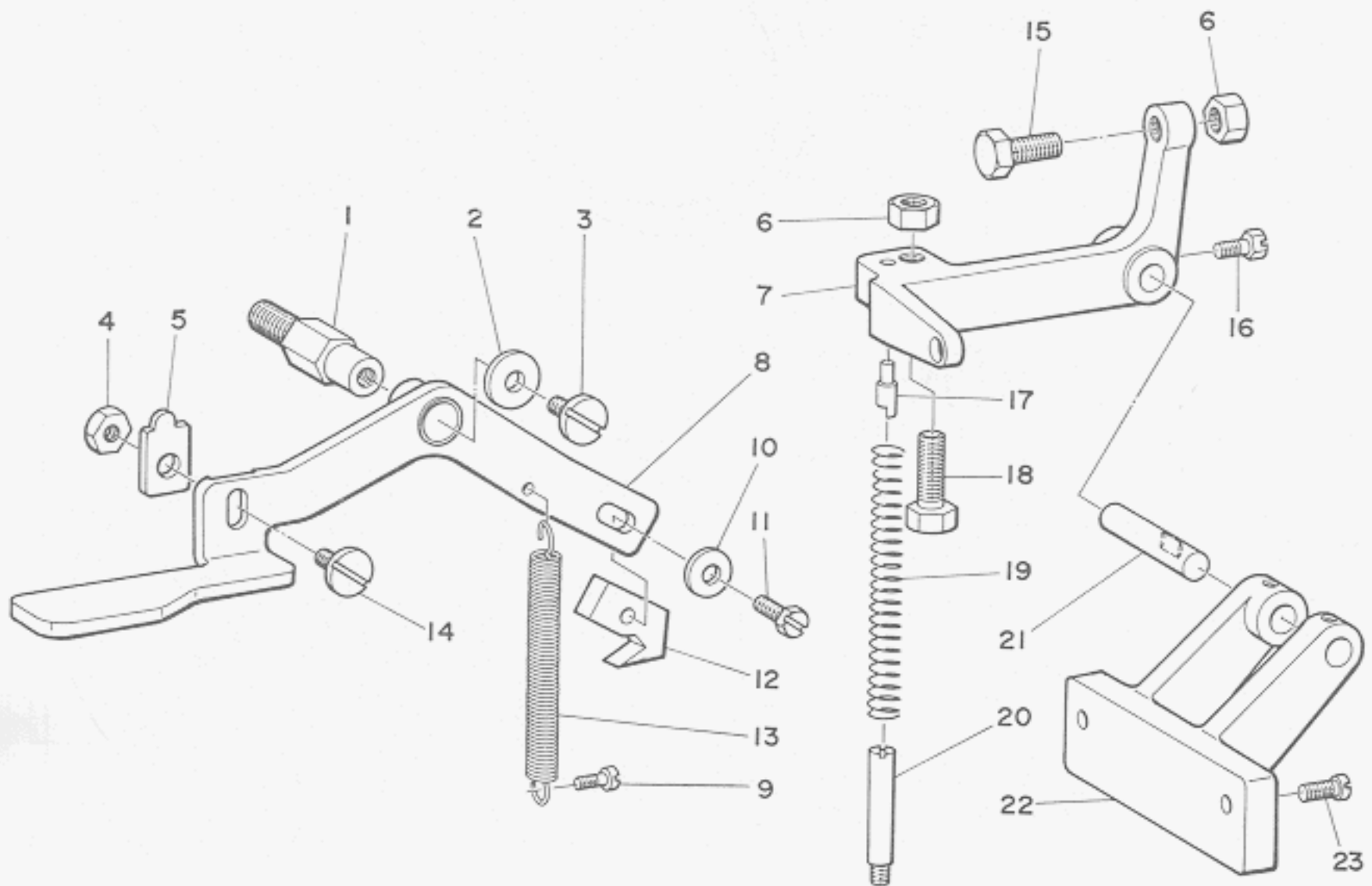
Ref. No.	Part No.	Description	Amt. Req.	Ref. No.	Part No.	Description	Amt. Req.
1	B-2510-232-000	Thumb screw, for swivel clamp	1	17	NS-6150430-SP	Nut, for roller stud	2
2	B-2511-232-000	Swivel clamp circle clip	1	18	WP-0621016-SD	Washer, for roller stud & bearing	2
3	B-2518-232-000	Lock nut, for swivel clamp	1	20	B-2516-232-000	Feed scale	1
4	B-2508-232-000	Feed regulator swivel clamp	1	21	B-2528-232-000	Feed across regulator	1
5	B-2506-232-000	Feed regulator swivel	1	22	B-2531-232-000	Pointer	1
6	B-2507-232-000	Hinge stud	1	23	B-2528-280-000	Wing nut	1
7	B-2534-232-0A0	Ball joint connection complete	1	24	SS-6151780-SP	Clamp screw, for feed across	2
8	B-2536-232-000	Feed across shaft	1	25	B-2539-232-000	Feed across shaft crank, rear	1
9	SS-3090610-SP	Clamp screw, for feed across scale	2	27	B-2501-232-000	Feed regulator	1
10	B-2526-232-000	Feed across scale	1	28	B-2503-232-000	Roller stud	2
11	B-2542-232-000	Driving stud, for feed across shaft crank, front	1	29	B-2502-232-000	Roller	2
12	B-2541-232-000	Feed across shaft crank, front	1	30	B-2529-232-000	Feed across regulator shaft	1
13	SS-7151210-SP	Clamp screw, for feed across shaft crank	2	32	B-2527-232-000	Bearing bracket	1
15	B-2537-232-0A0	Feed across shaft set collar	1	31	SS-7111110-TP	Clamp screw, for feed regulator	②
14	SS-8150710-SP	Clamp screw, for set collar & rear crank	3	33	SS-9151630-CP	Clamp screw	2
16	SS-8150410-TP	Clamp screw, for feed across shaft crank	2	18A	WP-0621016-SD	Washer, for bearing bracket	2
				34	SS-3060410-SP	Screw, for feed scale	2

10. STOP MOTION LEVER COMPONENTS



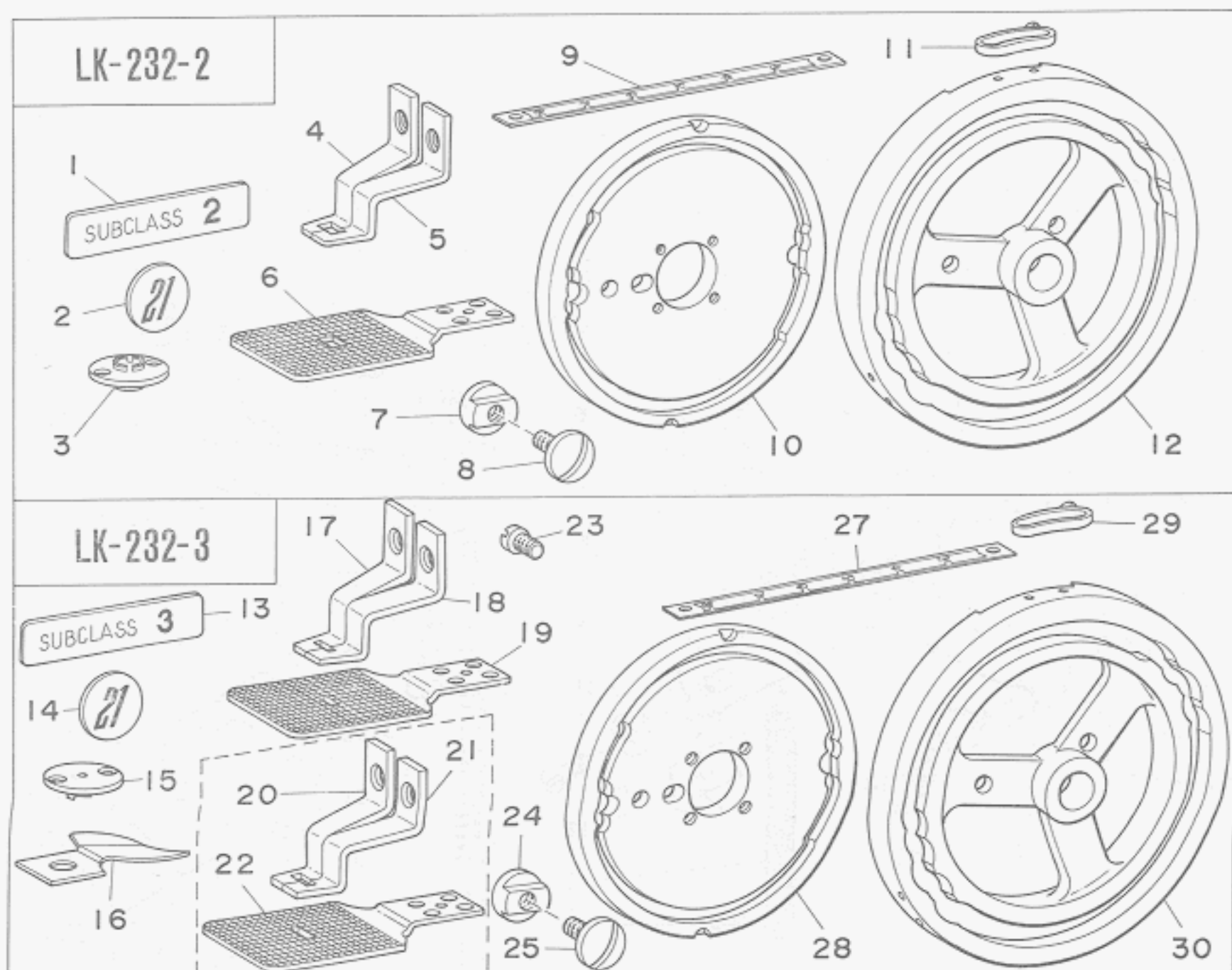
Ref. No.	Part No.	Description	Amt. Req.	Ref. No.	Part No.	Description	Amt. Req.
1	B-2605-232-000	Belt shifter	1	22	B-2655-232-000	Brake lever hinge pin	2
2	SS-7151120-SP	. . . Clamp screw	2	23	B-2658-232-0A0	Brake regulating bracket complete	1
3	B-2632-232-000	Tension spring, for stop motion lever	2	24	SS-7111120-SP	. . . Clamp screw	2
4	B-2633-232-000	. . . Suspension screw	3	25	B-2607-232-000	Stop link	1
5	SS-9151630-CP	Clamp screw, for hinge stud	1	26	B-2613-232-000	. . . Hinge screw	1
6	B-2604-232-000	Stop motion lever	1	29	SS-8151550-SP	Set screw, for brake lever	1
7	B-2602-232-000	Stop motion lever hinge stud, with oil wick	1	31	NS-6150310-SP	Nut, for brake lever set screw	1
8	B-2601-232-000	Stop motion lever bearing bracket	1	32	SS-7151330-SP	End screw, for hinge stud	2
9	SS-8151150-SP	Clamp screw, for brake lever hinge pin	2	33	B-2623-232-000	. . . Washer	2
10	SS-7090910-SP	Clamp screw, for brake lining	2	34	WP-0612056-SD	. . . Thrust washer	2
11	NS-6090310-SP	. . . Nut	2	35	B-2611-232-000	Connecting screw, for stop link	1
12	B-2662-232-000	Brake lining	1	36	B-2608-232-000	Stop link hinge stud	1
13	B-2661-232-000	Brake block	1	37	NS-6620310-SP	Nut, for stop link hinge screw	1
14	B-2656-232-000	Tension spring, for brake	1	38	B-2612-232-000	Stop link rod	1
15	B-2651-232-000	Brake lever	1	41	B-2618-232-000	Stop link rod hinge stud	1
16	B-2657-232-000	Spring suspension screw	1	42	B-2619-232-000	Pressure spring, for stop link rod	1
17	B-2606-232-000	Stop motion lever catch	1	43	B-2621-232-000	Nut, for stop link rod (upper)	1
18	WP-0612516-SD	. . . Washer	1	44	NS-6240630-SP	Nut, for stop link rod (lower)	1
19	SS-9152130-SP	. . . Clamp screw	1	45	B-2648-232-000	Stop pin, for starting lever	1
20	SS-6241640-SP	Clamp screw (B), for bearing bracket	1				
21	SS-6242540-SP	Clamp screw (A), for bearing bracket	2				

11. TRIPPING LEVER & STARTING LEVER COMPONENTS



Ref. No.	Part No.	Description	Amt. Req.	Ref. No.	Part No.	Description	Amt. Req.
1	B-2640-232-000	Tripping lever hinge bolt	1	21	B-2659-232-000	Starting lever hinge stud	1
2	WP-0612056-SD	. . . Washer	2	22	B-2650-232-000	Starting lever bearing bracket	1
3	SS-7151330-SP	. . . Clamp screw	1	23	SS-7151210-SP	. . . Clamp screw	2
4	NS-6150440-SP	Nut, for tripping dog clamp screw	1				
5	B-2642-232-000	Tripping dog	1				
6	NS-6200710-SP	Nut, for starting lever set screw	2				
7	B-2646-232-000	Starting lever	1				
8	B-2639-232-0A0	Tripping lever complete	1				
9	SS-6111040-SP	Suspension screw, for tension spring	1				
10	WP-0612516-SD	Washer, for latch clamp screw	1				
11	SS-9151630-CP	Clamp screw, for latch	1				
12	B-2636-232-000	Latch	1				
13	B-2643-232-000	Tripping lever tension spring	1				
14	SS-7151330-SP	Clamp screw, for tripping dog	1				
15	SS-9202443-CP	Set screw (A), for starting lever	1				
16	SS-9151120-CP	Clamp screw, for starting lever	1				
17	B-2524-232-000	Positioning pin, for pressure spring guide screw	1				
18	SS-9202443-SP	Set screw (B), for starting lever	1				
19	B-2653-232-000	Starting lever pressure spring	1				
20	B-2654-232-000	. . . Guide screw	1				

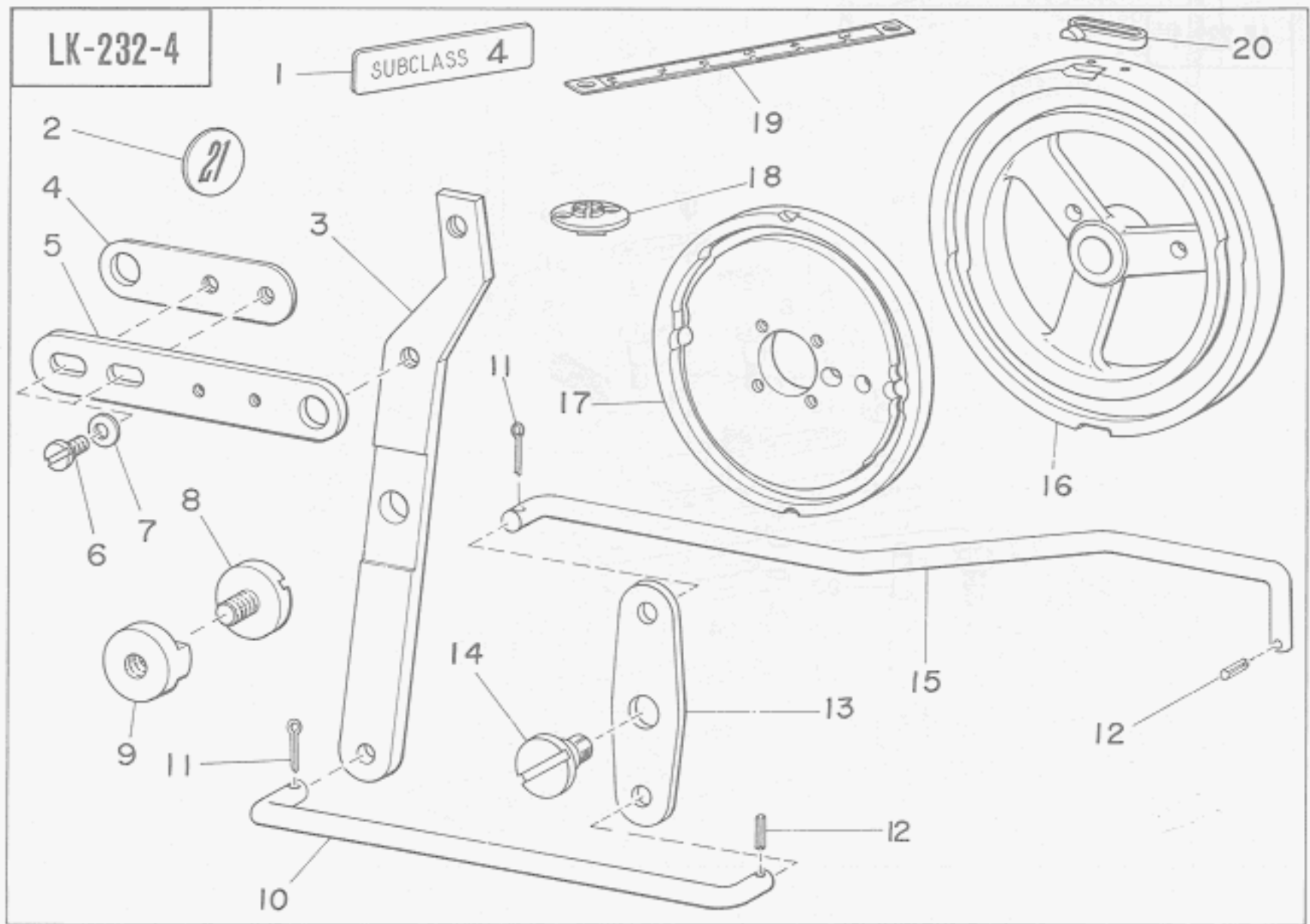
12. EXCLUSIVE PARTS FOR LK-232-322 SUBCLASSES



1) LK-232-2

Smaller bar tacking

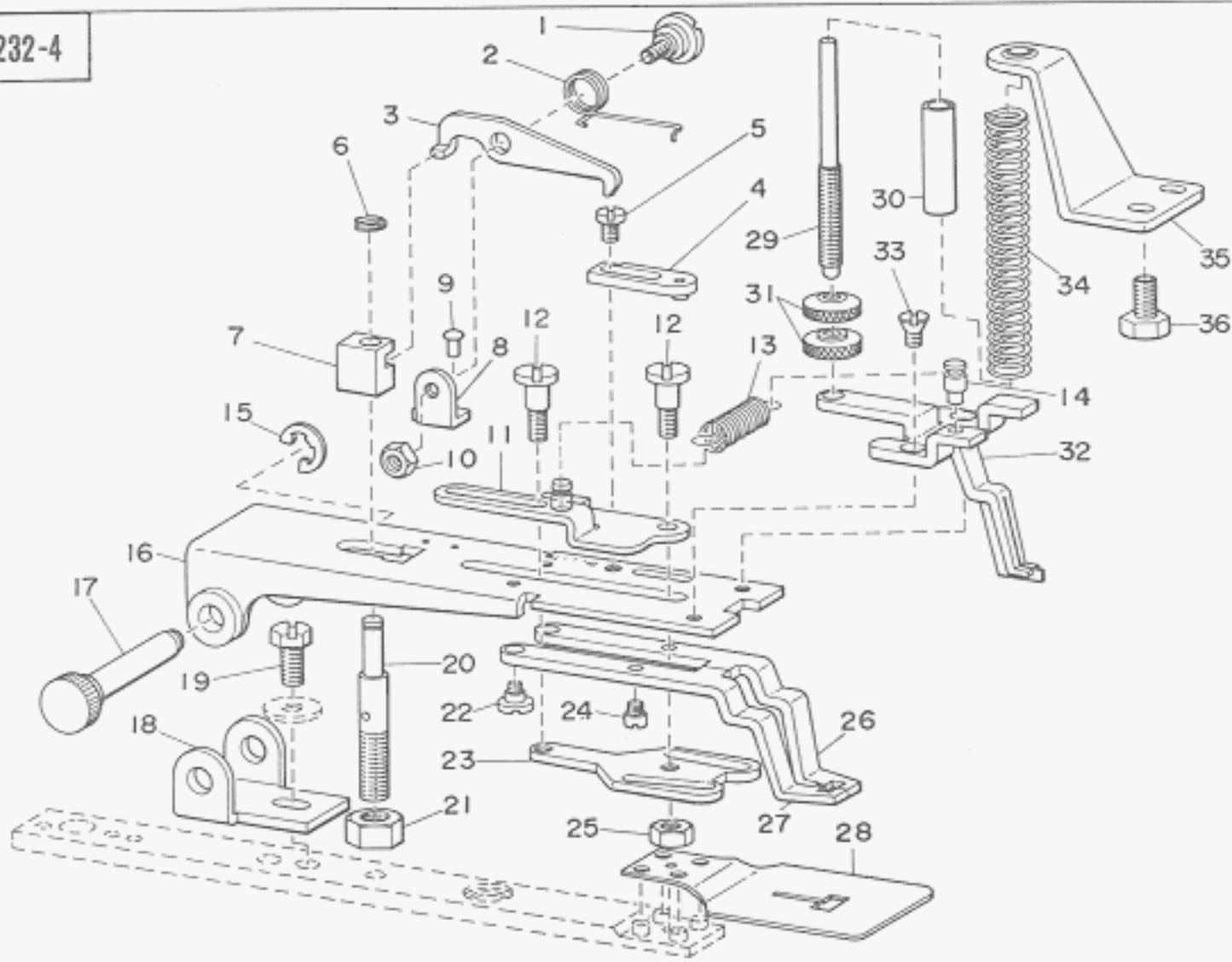
Ref. No.	Part No.	Description	Amt. Req.	Ref. No.	Part No.	Description	Amt. Req.
1	B-LKSUB00002	Subclass No. plate 2	1	15	D-2426-232-E00	Needle plate needle hole guide	1
2	D-1116-232-B00	Stitch number plate, for 21 stitches	1	16	D-2423-232-C00	Needle thread knife	1
3	D-2426-232-B00	Needle plate needle hole guide	1	*	D-2550-232-CA0	Work clamp foot complete	1
*	D-2550-232-BA0	Work clamp foot complete	1	17	D-2551-232-C00	Work clamp foot, left	(1)
4	D-2551-232-B00	Work clamp foot, left	(1)	18	D-2550-232-C00	Work clamp foot, right	(1)
5	D-2550-232-B00	Work clamp foot, right	(1)	19	D-2517-232-C00	Feed plate	1
6	D-2517-232-B00	Feed plate	1	(20)	D-2551-232-C0A	Work clamp foot, left, large	(1)
7	D-2530-232-B00	Feed across stop roller	1	(21)	D-2550-232-C0A	Work clamp foot, right, large	(1)
8	SS-7151330-SP	. . . Screw	1	(22)	D-2517-232-C0A	Feed plate, large	(1)
9	D-2526-232-B00	Feed across scale	1	23	SS-6090440-SP	Feed regulator stop screw	1
10	D-2211-232-B00	Knife cam, for 21 stitches	1	24	D-2530-232-B00	Feed across stop roller	1
11	D-2214-232-B00	Stop tripping segment (B), for 21 stitches	2	25	SS-7151330-SP	. . . Screw	1
12	D-2209-232-B00	Feed cam, for 21 stitches	1	27	D-2526-232-B00	Feed across scale	1
2) LK-232-3		Knit goods bar tacking		28	D-2211-232-B00	Needle thread knife, for 21 stitches	1
13	B-LKSUB00003	Subclass No. plate 3	1	29	D-2214-232-B00	Stop tripping segment (B), for 21 stitches	2
14	D-1116-232-B00	Stitch number plate, for 21 stitches	1	30	D-2209-232-B00	Feed cam, for 21 stitches	1



3) LK-232-4 (1) Tail of eyelet buttonhole bar tacking

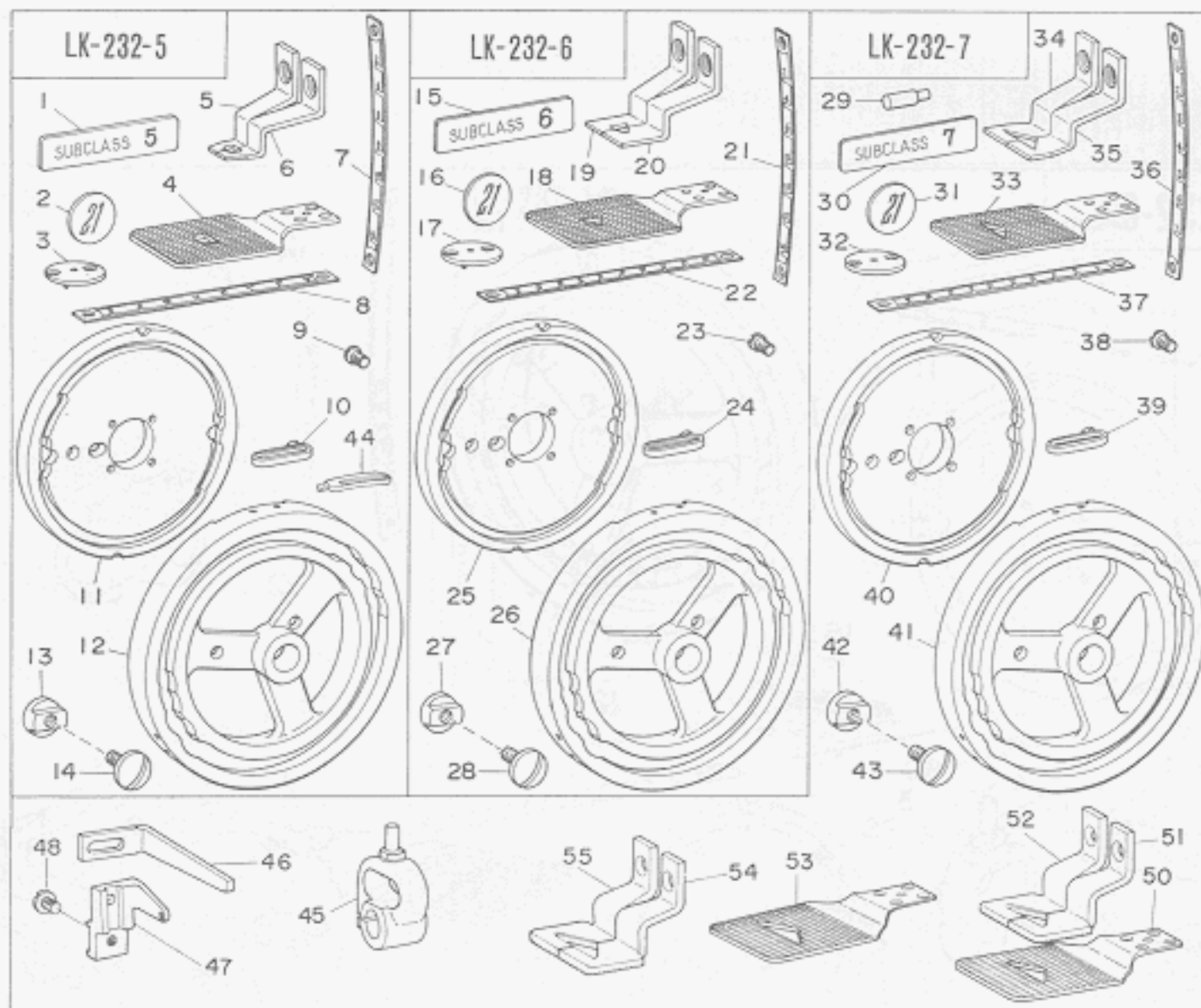
Ref. No.	Part No.	Description	Amt. Req.	Ref. No.	Part No.	Description	Amt. Req.
1	B-LKSUB00004	Subclass No. plate 4	1	12	PS-0200082-K0	Spring pin	2
2	D-1116-232-B00	Stitch number plate, for 21 stitches	1	13	D-2549-232-D00	Work clamp feet drive lever connecting lever	1
3	D-1519-232-D00	Lifting lever stop bracket	1	14	SD-0790303-SP	... Hinge screw	1
4	D-1523-232-D00	Lifting lever link (B)	1	15	D-2547-232-D00	Work clamp feet drive lever connecting rod	1
5	D-1522-232-D00	Lifting lever link (A)	1	16	D-2209-232-B00	Feed cam, for 21 stitches	1
6	SS-7110710-SP	... Screw	2	17	D-2211-232-B00	Knife cam, for 21 stitches	1
7	WP-0480856-SP	... Washer	2	18	D-2426-232-E00	Needle plate needle hole guide	1
8	SS-7151330-SP	Stop screw, for roller	1	19	D-2526-232-B00	Feed across scale	1
9	D-2530-232-B00	Feed across stop roller	1	20	D-2214-232-B00	Stop tripping segment (B), for 21 stitches	2
10	D-2546-232-D00	Work clamp feet drive lever connecting rod (A)	1				
11	PD-0201000-0B	Cotter pin	2				

LK-232-4



3) LK-232-4 (2)

Ref. No.	Part No.	Description	Amt. Req.	Ref. No.	Part No.	Description	Amt. Req.
1	D-2511-232-D00	Screw	1	18	D-2501-232-D00	Base	1
2	D-2512-232-D00	Torsion spring	1	19	SS-9151160-CP	Screw	1
3	D-2509-232-D00	Work clamp feet drive lever stationing latch	1	20	D-2506-232-D00	Stationing block shaft	1
4	D-2516-232-DA0	Work clamp feet regulator asm.	1	21	NS-6200710-SP	Nut	1
5	SS-9110543-SP	Screw	1	22	SD-0550271-TP	Hinge screw, for work clamp feet	2
6	D-2548-232-D00	Snap ring, for connecting rod	1	23	D-2519-232-D00	Work clamp feet plate cam	1
7	D-2507-232-D00	Stationing block	1	24	D-2522-232-D00	Pin	2
8	D-2510-232-D00	Stationing latch bearing bracket	1	25	NS-6120480-SP	Nut, for guide hinge screw	2
9	D-2580-232-D00	Knock pin	2	26	D-2521-232-DA0	Work clamp foot, right	1
10	NS-6110530-SP	Nut	1	27	D-2520-232-DA0	Work clamp foot, left	1
11	D-2513-232-DA0	Work clamp feet bearing bracket guide asm.	1	28	D-2517-232-D00A	Feed plate	1
12	D-2545-232-D0A	Hinge screw	2	29	D-2528-232-D00	Pressure spring regulating shaft	1
13	D-2515-232-D00	Torsion spring	1	30	D-2527-232-D00	Sleeve	1
14	D-2514-232-D00	Pin	1	31	B-3117-352-000	Regulating nut	2
15	RE-0700000-K0	Snap ring	1	32	D-2505-282-AA0	Work clamp foot guide jaw	1
16	D-2504-232-DA0	Work clamp feet bearing bracket assembly	1	33	SS-1110640-SP	Screw	2
17	D-2502-232-D00	Shaft block shaft	1	34	D-2529-232-D00	Pressure spring	1
				35	D-2525-232-D00	Retaining plate	1
				36	SS-9150730-SP	Screw	2



4) LK-232-5 Inverted pentagonal shaping

Ref. No.	Part No.	Description	Amt. Req.
1	B-LKSUB00005	Subclass No. plate 5	1
2	D-1116-232-B00	Stitch number plate, for 21 stitches	1
3	D-2426-232-E00	Needle plate needle hole guide, for special tacks	1
4	D-2517-232-E00	Feed plate, for inverted pentagon	1
*	D-2550-232-EA0	Work clamp foot complete	1
5	D-2551-232-E00	Work clamp foot, left, for inverted pentagon	(1)
6	D-2550-232-E00	Work clamp foot, right for inverted pentagon	(1)
7	D-2516-232-E00	Feed scale, for inverted pentagon	1
8	D-2526-232-E00	Feed across scale, for inverted pentagon	1
9	SS-6090440-SP	Feed regulator stop screw	1
10	D-2214-232-B00	Stop tripping segment (B), for 21 stitches	2
11	D-2211-232-B00	Knife cam, for 21 stitches	1
12	D-2209-232-E00	Feed cam, for inverted pentagon 21 stitches	1
13	D-2530-232-B00	Feed across stop roller	1
14	SS-7151330-SP	... Screw	1
44	D-2220-232-K00	Thread nipper tripping segment	2

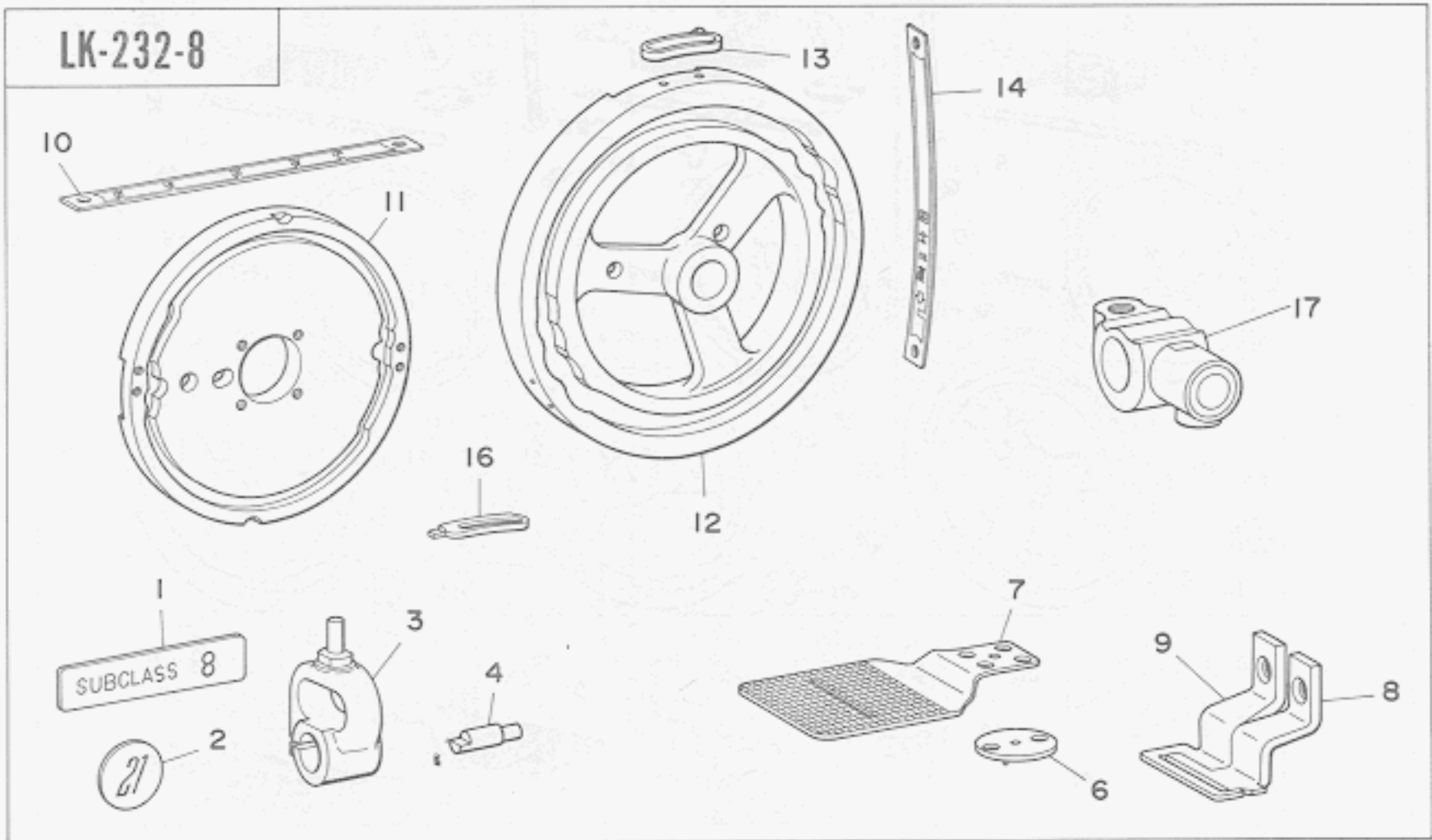
5) LK-232-6 Right sided triangle shaping

15	B-LKSUB00006	Subclass No. plate 6	1
16	D-1116-232-B00	Stitch number plate, for 21 stitches	1
17	D-2426-232-E00	Needle plate needle hole guide, for special tacks	1
18	D-2517-232-F00	Feed plate, for right sided triangle	1
*	D-2550-232-FA0	Work clamp foot complete	1
19	D-2551-232-F00	Work clamp foot, left, for right sided triangle	(1)
20	D-2550-232-F00	Work clamp foot, right, for right sided triangle	(1)
21	D-2516-232-E00	Feed scale	1
22	D-2526-232-F00	Feed across scale	1
23	SS-6090440-SP	Feed regulator stop screw	1
24	D-2214-232-B00	Stop tripping segment (B), for 21 stitches	2

6) LK-232-7 Triangle shaping

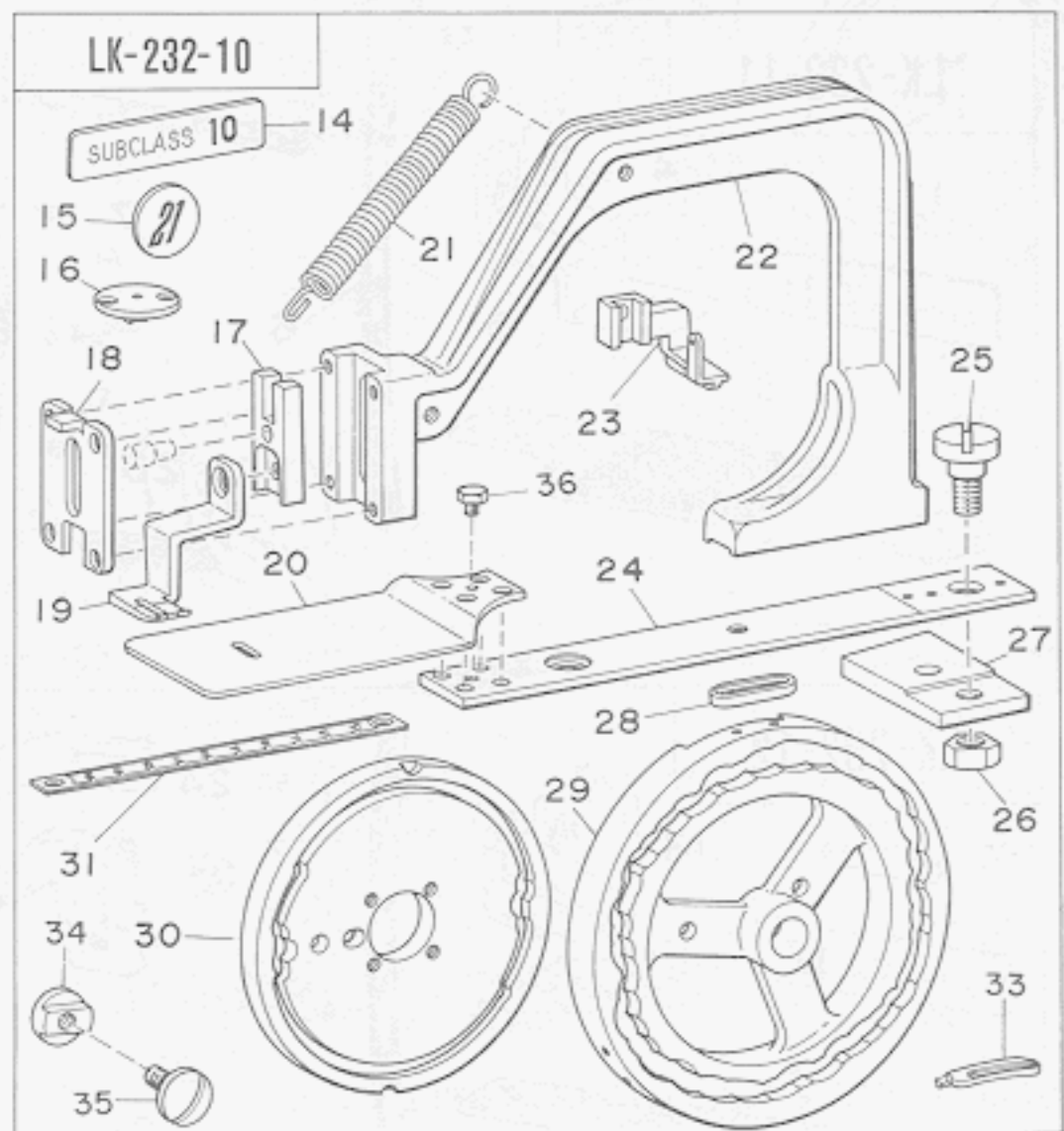
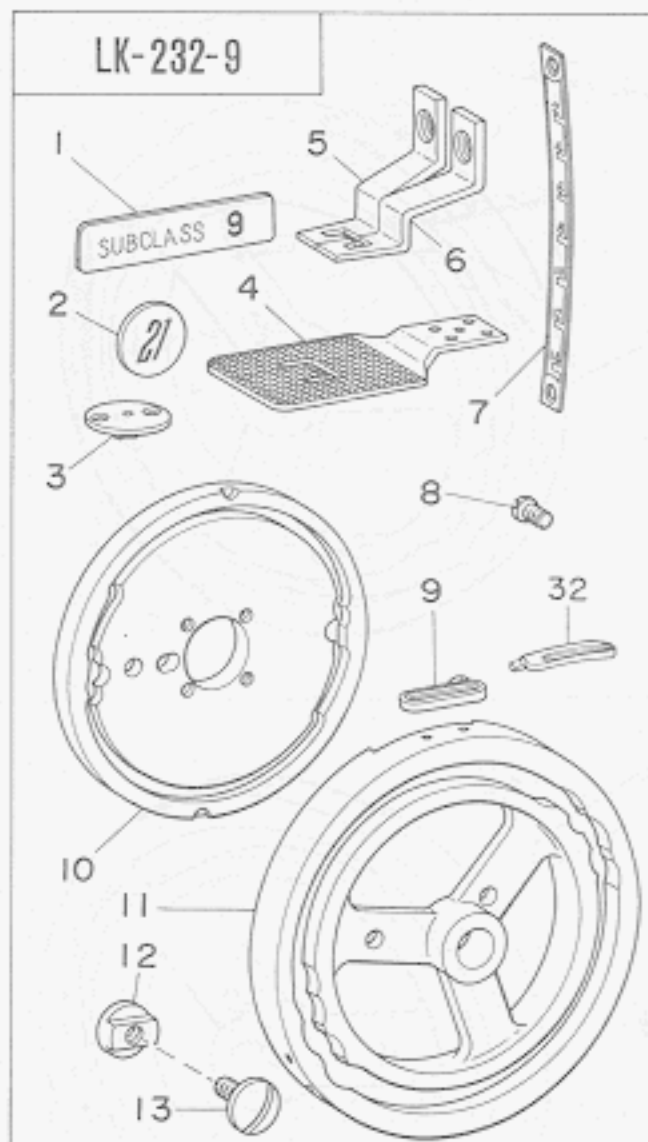
Ref. No.	Part No.	Description	Amt. Req.
25	D-2211-232-B00	Knife cam, for 21 stitches	1
26	D-2209-232-F00	Feed cam	1
27	D-2530-232-B00	Feed across stop roller	1
28	SS-7151330-SP	... Screw	1
29	D-2524-232-M00	Work clamp foot bracket positioning pin	2
30	B-LKSUB00007	Subclass No. plate 7	1
31	D-1116-232-B00	Stitch number plate, for 21 stitches	1
32	D-2426-K9S-E00	Needle plate needle hole guide for special tacks	1
33	D-2517-232-G00	Feed plate, for standard size fine materials	1
*	D-2550-232-GA0	Work clamp foot complete	1
34	D-2551-232-G00	Work clamp foot, left	1
35	D-2550-232-G00	Work clamp foot, right	1
36	D-2516-232-L00	Feed scale (same as H-shaped)	1
37	D-2526-232-G00	Feed across scale	1
38	SS-6090440-SP	Feed regulator stop screw	1
39	D-2214-232-B00	Stop tripping segment (B), for 21 stitches	2
40	D-2211-232-B00	Knife cam, for 21 stitches	1
41	D-2209-232-G00	Feed cam	1
42	D-2530-232-B00	Feed across stop roller	1
43	SS-7151330-SP	... Screw	1
45	D-2541-232-GA0	Feed across shaft crank, front, asm.	1
46	B-1501-232-00B	Clamp foot lifting lever	1
47	B-1503-232-00B	... Base	1
48	SS-7110820-SP	... Screw	1
50	D-2517-232-G0B	Feed plate (B), for standard size heavy weight materials	1
51	D-2550-232-G0B	Work clamp foot (right)	1
52	D-2551-232-G0B	Work clamp foot (left)	1
53	D-2517-232-G0C	Feed plate (C), for maximum size heavy weight materials	1
54	D-2550-232-G0C	Work clamp foot (right)	1
55	D-2551-232-G0C	Work clamp foot (left)	1

LK-232-8



7) LK-232-8 LABEL ATTACHING MACHINE

Ref. No.	Part No.	Description	Amt. Req.
1	B-LKSUB00008	Subclass No. plate 8	1
2	D-1116-232-B00	Stitch number plate, for 21 stitches	1
3	D-2541-K0R-TA0	Feed across shaft crank, front B asm.	1
4	D-2424-K7R-Y00	Positioning pin, for work clamp foot bracket	2
6	D-2426-232-E00	Needle plate needle hole guide	1
7	D-2517-232-H00	Feed plate	1
*	D-2550-232-HA0	Work clamp foot, left & right asm.	1
8	D-2550-232-H00	Work clamp foot, right	(1)
9	D-2551-232-H00	Work clamp foot, left	(1)
10	D-2526-232-H00	Feed scale	1
11	D-2211-232-B00	Knife cam, for 21 stitches	1
12	D-2209-232-H00	Feed cam	1
13	D-2214-232-B00	Stop tripping segment (B), for 21 stitches	2
14	D-2516-232-H00	Feed across scale	1
16	D-2220-232-K00	Thread nipper tripping segment	1
17	D-2539-K7R-W00	Feed across shaft crank, rear	1
○	All parts not mentioned above are same as those of model LK-232.		



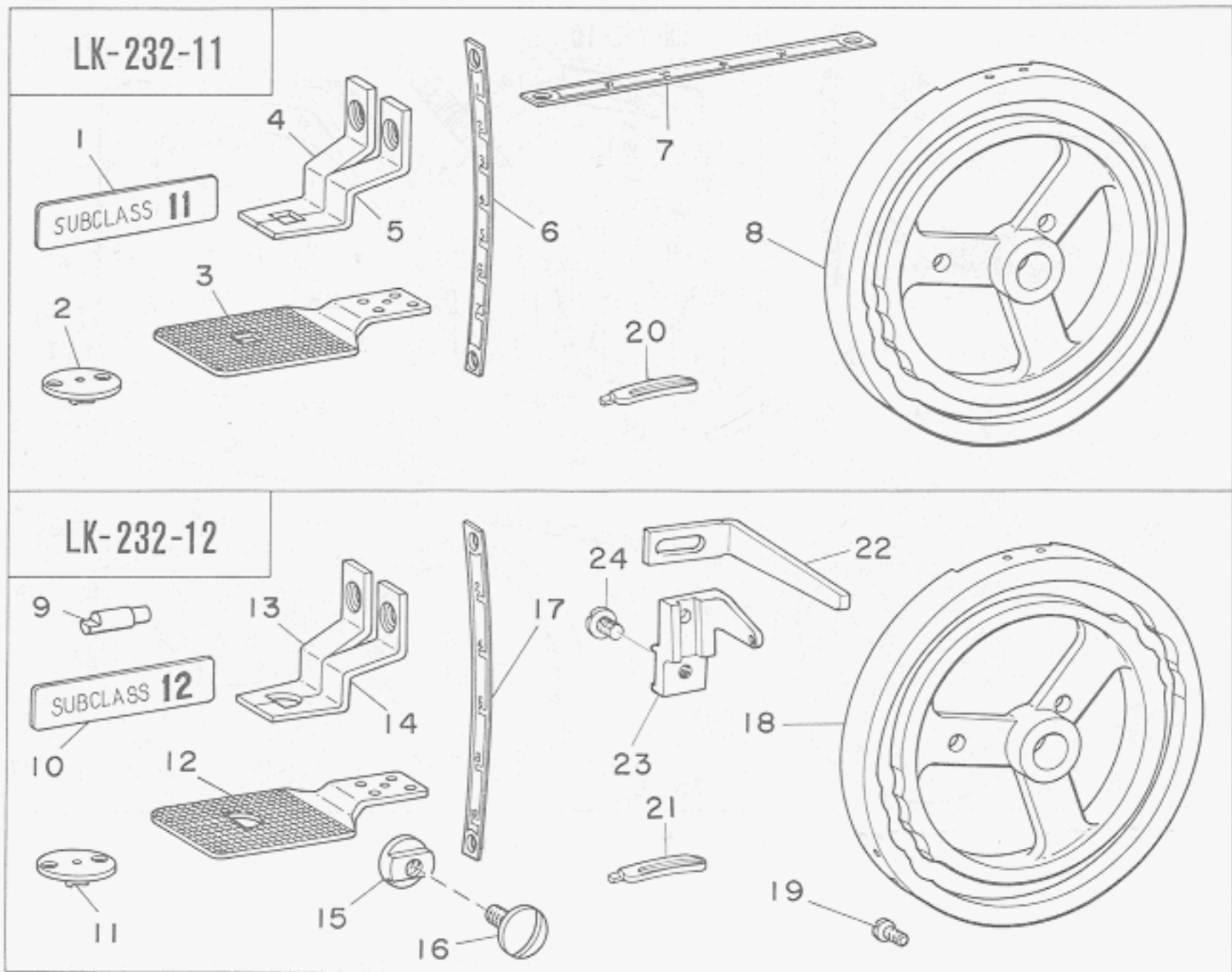
8) LK-232-9 Gate shaped bar tacking

Ref. No.	Part No.	Description	Amt. Req.
1	B-LKSUB00009	Subclass No. plate 9	1
2	D-1116-232-B00	Stitch number plate, for 21 stitches	1
3	D-2426-232-E00	Needle plate needle hole guide, for special tacks	1
4	D-2517-232-J00	Feed plate	1
*	D-2550-232-JA0	Work clamp foot complete	1
5	D-2551-232-J00	Work clamp foot, left	(1)
6	D-2550-232-J00	Work clamp foot, right	(1)
7	D-2516-232-E00	Feed scale	1
8	SS-6090440-SP	Feed regulator stop screw	1
9	D-2214-232-B00	Stop tripping segment (B), for 21 stitches	2
10	D-2211-232-B00	Knife cam, for 21 stitches	1
11	D-2209-232-J00	Feed cam	1
12	D-2530-232-B00	Feed across stop roller	1
13	SS-7151330-SP	. . . Screw	1
32	D-2220-232-K00	Thread nipper tripping segment	2

9) LK-232-10 Band loop attaching tacks

Ref. No.	Part No.	Description	Amt. Req.
14	B-LKSUB00010	Subclass No. plate 10	1
15	D-1116-232-B00	Stitch number plate, for 21 stitches	1
16	D-2426-232-E00	Needle plate needle hole guide, for special tacks	1
17	D-2523-232-K00	Work clamp bracket	1

Ref. No.	Part No.	Description	Amt. Req.
18	D-2525-232-K00	Work clamp face plate	1
19	D-2550-232-K00	Work clamp foot	1
20	D-2517-232-K00	Feed plate	1
21	D-2546-232-K00	Pressure spring	1
22	D-2520-232-K00	Work clamp frame	1
23	D-1501-232-K00	Clamp foot lifting lever	1
24	D-2512-232-K00	Feed plate carrier bar	1
25	SD-0950491-SP	. . . Hinge screw	1
26	NS-6660430-SP	. . . Nut	1
27	D-2519-232-K00	. . . Guide plate	1
28	D-2214-232-B00	Stop tripping segment (B), for 21 stitches	2
29	D-2209-232-K00	Feed cam	1
30	D-2211-232-B00	Knife cam, for 21 stitches	1
31	D-2526-232-F00	Feed across scale	1
33	D-2220-232-K00	Thread nipper tripping segment	2
34	D-2530-232-B00	Feed across stop roller	1
35	SS-7151330-SP	. . . Screw	1
36	SS-9110543-CP	Screw, for feed plate	1

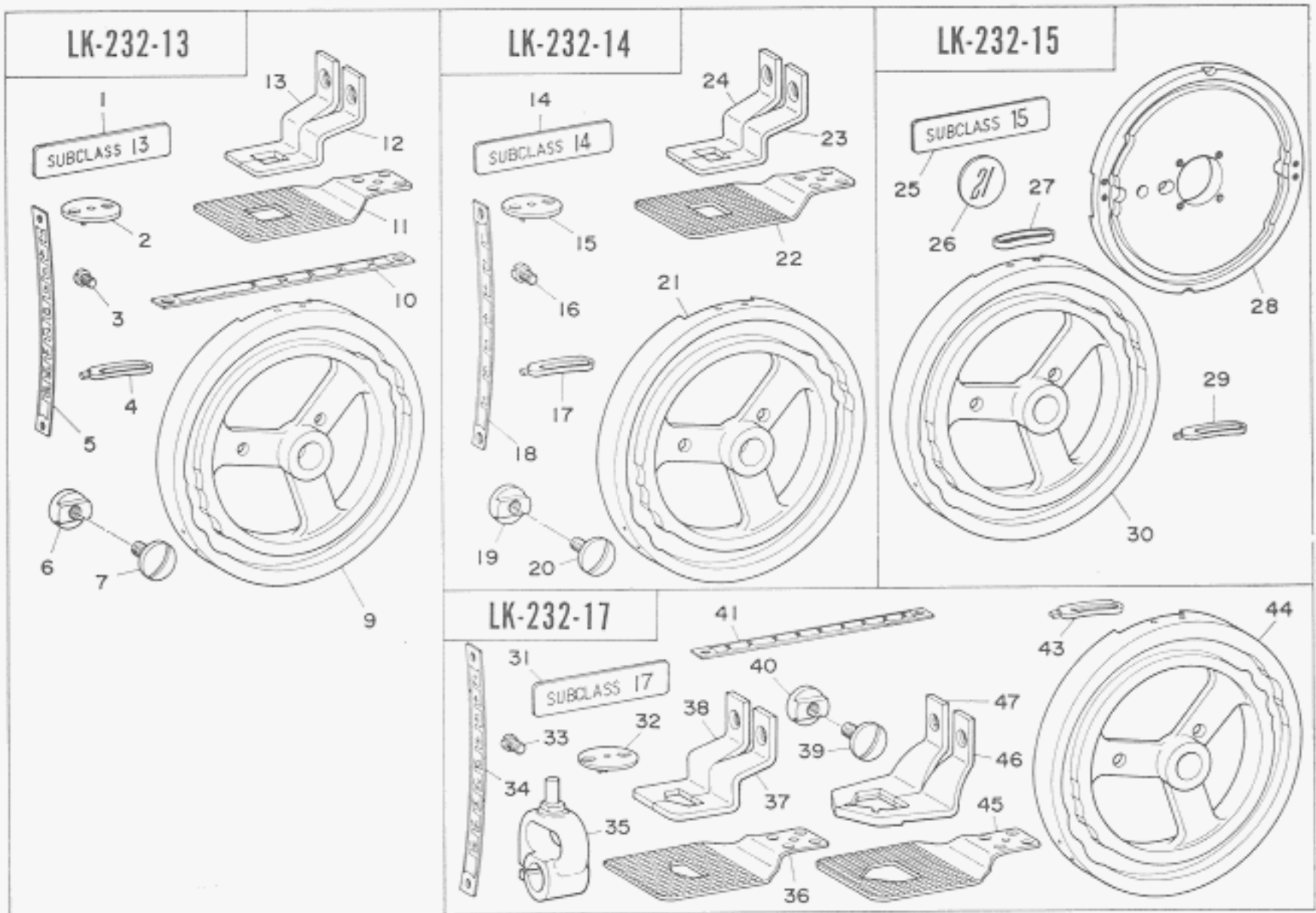


10) LK-232-11 H-shaped bar tacking

Ref. No.	Part No.	Description	Amt. Req.	Ref. No.	Part No.	Description	Amt. Req.
1	B-LKSUB00011	Subclass No. plate 11	1	12	D-2517-232-M00	Feed plate	1
2	D-2426-232-E00	Needle plate needle hole guide, for special tacks	1	*	D-2550-232-MA0	Work clamp foot complete	1
3	D-2517-232-L00	Feed plate	1	13	D-2551-232-M00	Work clamp foot, left	(1)
*	D-2550-232-LA0	Work clamp foot complete	1	14	D-2550-232-M00	Work clamp foot, right	(1)
4	D-2551-232-L00	Work clamp foot, left	(1)	15	D-2530-232-B00	Feed across stop roller	1
5	D-2550-232-L00	Work clamp foot, right	(1)	16	SS-7151330-SP	. . . Screw	1
6	D-2516-232-L00	Feed scale 1	1	17	D-2516-232-M00	Feed scale	1
7	D-2526-232-L00	Feed across scale	1	18	D-2209-232-M00	Feed cam	1
8	D-2209-232-L00	Feed cam	1	19	SS-6090440-SP	Feed regulator stop screw	1
20	D-2220-232-K00	Thread nipper tripping segment	1	21	D-2220-232-K00	Thread nipper tripping segment	1
				22	B-1501-232-00B	Clamp foot lifting lever	1
				23	B-1503-232-00B	. . . Base	1
				24	SS-7110820-SP	. . . Screw	1

11) LK-232-12 Semi-circular shape bar tacking

9	D-2524-K7R-Y00	Work clamp foot bracket positioning pin	2
10	B-LKSUB00012	Subclass number plate 12	1
11	D-2426-232-E00	Needle plate needle hole guide, for special tacks	1



12) LK-232-13 SQUARE SHAPED TACKING MACHINE

Ref. No.	Part No.	Description	Amt. Req.
1	B-LKSUB00013	Subclass No. plate 13	1
2	D-2426-232-E00	Needle plate needle hole guide	1
3	SS-6090440-SP	Feed regulator stop screw	1
4	D-2220-232-K00	Thread nipper tripping segment	1
5	D-2516-232-S00	Feed scale	1
6	D-2530-232-B00	Feed across stop roller	1
7	SS-7151330-SP	. . . Screw	1
9	D-2209-232-N00	Feed cam	1
10	D-2526-322-D00	Feed across scale	1
11	D-2517-232-N00	Feed plate	1
*	D-2550-232-NA0	Work clamp foot, right & left asm.	1
12	D-2550-232-N00	Work clamp foot, right	(1)
13	D-2551-232-N00	Work clamp foot, left	(1)
	D-2517-232-N0B	Feed plate, for large width	(1)
	D-2550-232-N0B	Work clamp foot, right, for wide width	(1)
	D-2551-232-N0B	Work clamp foot, left, for wide width	(1)
	D-2524-K7R-U00	Positioning pin, for work clamp foot bracket	(2)

○ All parts not mentioned above are same as those of model LK-232.

13) LK-232-14 ZIGZAG SHAPED TACKING MACHINE

Ref. No.	Part No.	Description	Amt. Req.
14	B-LKSUB00014	Subclass No. plate 14	1
15	D-2426-232-E00	Needle plate needle hole guide	1
16	SS-6090440-SP	Feed regulator stop screw	1
17	D-2220-232-K00	Thread nipper tripping segment	1
18	D-2516-232-M00	Feed scale	1
19	D-2530-232-B00	Feed across stop roller	1
20	SS-7151330-SP	. . . Screw	1
21	D-2209-232-P00	Feed cam	1
22	D-2517-232-P00	Feed plate	1
*	D-2550-232-PA0	Work clamp foot, right & left asm.	1
23	D-2550-232-P00	Work clamp foot, right	(1)
24	D-2551-232-P00	Work clamp foot, left	(1)

○ All parts not mentioned above are same as those of model LK-232.

14) LK-232-15 RECTANGLE SHAPING MACHINE

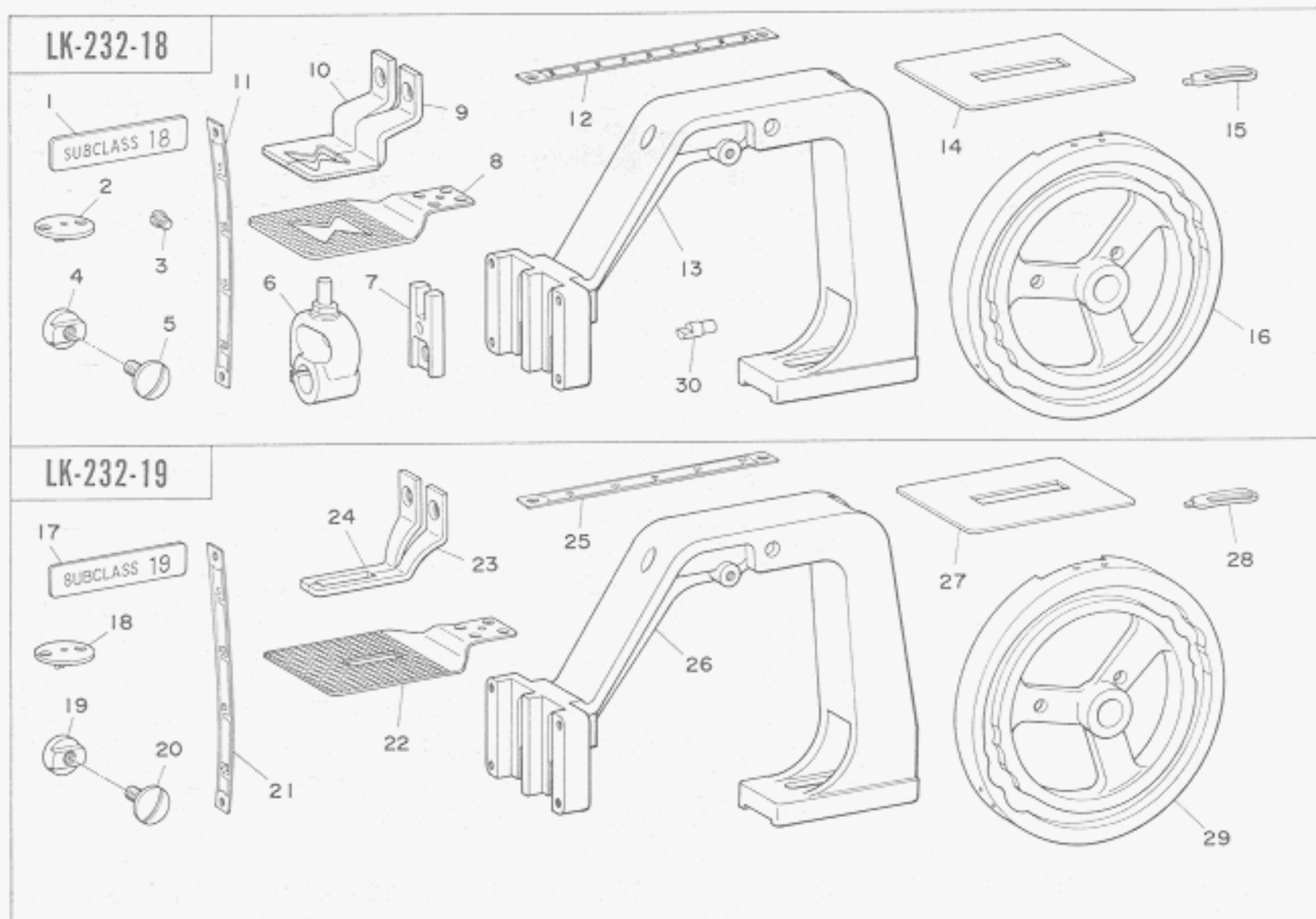
Ref. No.	Part No.	Description	Amt. Req.
25	B-LKSUB00015	Subclass No. plate 15	1
26	D-1116-232-B00	Stitch number plate, for 21	1
27	D-2214-232-B00	Stop tripping segment B, for 21 stitches	2
28	D-2211-232-B00	Knife cam, for 21 stitches	1
29	D-2220-232-K00	Thread nipper tripping segment	2
30	D-2209-232-Q00	Feed cam	1

○ All parts not mentioned above are same as those of model LK-232.

15) LK-232-17 PENTAGONAL SHAPING MACHINE

Ref. No.	Part No.	Description	Amt. Req.
31	B-LKSUB00017	Subclass No. plate 17	1
32	D-2426-232-E00	Needle plate needle hole guide	1
33	SS-6090440-SP	Feed regulator stop screw	1
34	D-2516-232-S00	Feed scale	1
35	D-2541-232-GA0	Feed across shaft crank, front B asm.	1
36	D-2517-232-S00	Feed plate	1
*	D-2550-232-SA0	Work clamp foot, right & left asm.	1
37	D-2550-232-S00	Work clamp foot, right	(1)
38	D-2551-232-S00	Work clamp foot, left	(1)
39	SS-7151330-SP	Feed across stop roller set screw	1
40	D-2530-232-B00	Feed across stop roller	1
42	D-2545-232-N00	Slide plate, for feed plate carrier bar	1
43	D-2220-232-K00	Thread nipper tripping segment	1
44	D-2209-232-S00	Feed cam	1
(45)	D-2517-232-S0B	Feed plate, for heavy weight materials	(1)
(46)	D-2550-232-S0B	Work clamp foot, right for heavy weight materials	(1)
(47)	D-2551-232-S0B	Work clamp foot, left for heavy weight materials	(1)

○ All parts not mentioned above are same as those of model LK-232.



16) LK-232-18 X-SHAPED TACKING MACHINE

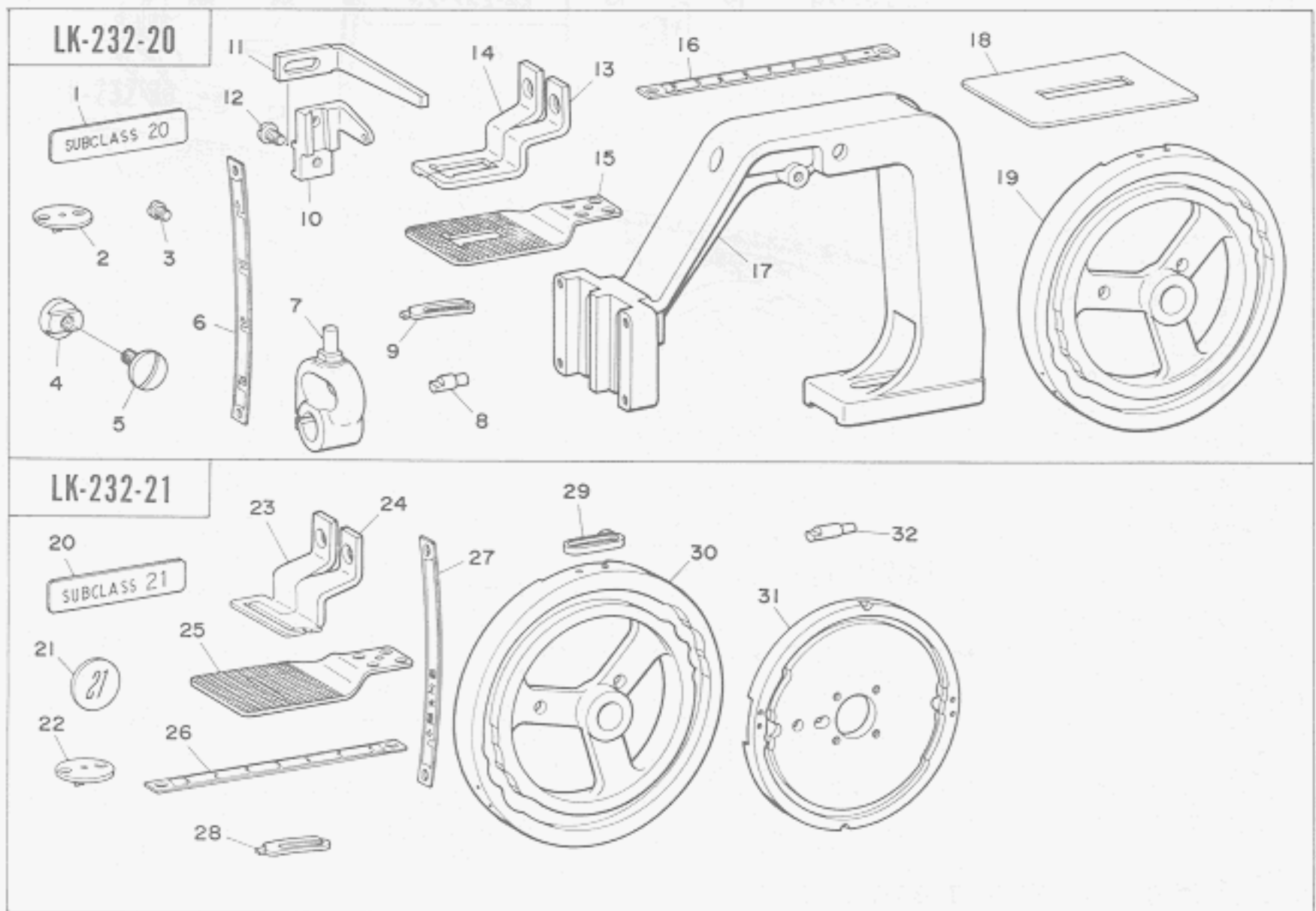
Ref No.	Part No.	Description	Amt. Req.
1	B-LKSUB00018	Subclass No. plate 18	1
2	D-2426-232-E00	Needle plate needle hole guide	1
3	SS-6090440-SP	Feed regulator stop screw	1
4	D-2530-232-B00	Feed across stop roller	1
5	SS-7151330-SP	. . . Screw	1
6	D-2541-232-GA0	Feed across shaft crank, front B asm.	1
7	D-2523-232-K00	Work clamp bracket	1
8	D-2517-232-T00	Feed plate	1
*	D-2550-232-TA0	Work clamp foot, right & left asm.	1
9	D-2550-232-T00	Work clamp foot, right	(1)
10	D-2551-232-T00	Work clamp foot, left	(1)
11	D-2516-232-T00	Feed scale	1
12	D-2526-322-V00	Feed across scale	1
13	B-2520-232-00B	Work clamp frame, for wide width	1
14	D-2545-232-N00	Slide plate, for feed plate carrier bar	1
15	D-2220-232-K00	Thread nipper tripping segment	1
16	D-2201-232-T00	Feed cam	1
30	D-2524-K0R-R00	Positioning pin, for work clamp foot bracket	2

○ All parts not mentioned above are same as those of model LK-232.

17) LK-232-19 GIRDLE SEWING MACHINE

Ref. No.	Part No.	Description	Amt. Req.
17	B-LKSUB00019	Subclass No. plate 19	1
18	D-2426-232-E00	Needle plate needle hole guide	1
19	D-2530-232-B00	Feed across stop roller	1
20	SS-7151330-SP	. . . Screw	1
21	D-2516-232-U00	Feed scale	1
22	D-2517-232-U00	Feed plate	1
*	D-2550-232-UA0	Work clamp foot, right & left asm.	1
23	D-2550-232-U00	Work clamp foot, right	(1)
24	D-2551-232-U00	Work clamp foot, left	(1)
25	D-2524-232-U00	Feed across scale	1
26	B-2520-232-00B	Work clamp frame, for wide width	1
27	D-2545-232-N00	Slide plate, for feed plate carrier bar	1
28	D-2220-232-K00	Thread nipper tripping segment	1
29	D-2209-232-U00	Feed cam	1

○ All parts not mentioned above are same as those of model LK-232.

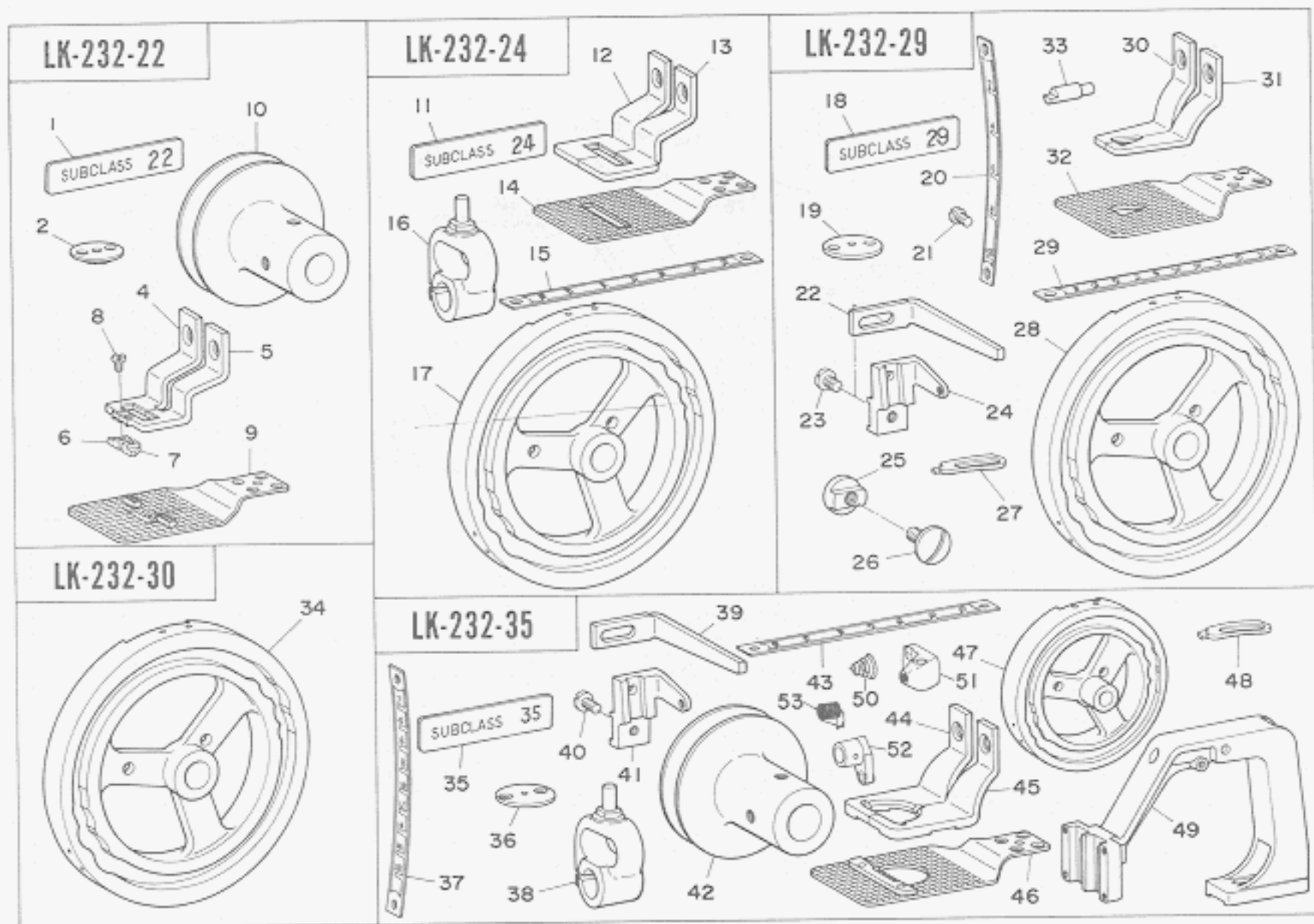


18) LK-232-20 RECTANGLE SHAPED TACKING MACHINE

Ref. No.	Part No.	Description	Amt. Req.
1	B-LKSUB00020	Subclass No. plate 20	1
2	D-2426-232-E00	Needle plate needle hole guide	1
3	SS-6090440-SP	Feed regulator stop screw	1
4	D-2530-232-B00	Feed across stop roller	1
5	SS-7151330-SP	. . . Screw	1
6	D-2516-232-U00	Feed scale	1
7	D-2541-232-GA0	Feed across shaft crank, front B asm.	1
8	D-2524-K0R-R00	Positioning pin, for work clamp foot bracket	2
9	D-2220-232-K00	Thread nipper tripping segment	1
10	B-1503-232-00B	Clamp foot lifting base	1
11	B-1501-232-00B	Clamp foot lifting lever	1
12	SS-7110820-SP	. . . Adjusting screw	1
*	D-2550-232-VA0	Work clamp foot, right & left asm.	1
13	D-2550-232-V00	Work clamp foot, right	(1)
14	D-2551-232-V00	Work clamp foot, left	(1)
15	D-2517-232-V00	Feed plate	1
16	D-2526-322-V00	Feed across scale	1
17	B-2520-232-00B	Work clamp frame, for wide width	1
18	D-2545-232-N00	Slide plate, for feed plate carrier bar	1
19	D-2209-232-V00	Feed cam	1
○	All parts not mentioned above are same as those of model LK-232.		

19) LK-232-21 SLEEVE PLACKET SEWING MACHINE

Ref. No.	Part No.	Description	Amt. Req.
20	B-LKSUB00021	Subclass No. plate 21	1
21	D-1116-232-B00	Stitch number plate, for 21 stitches	1
22	D-2426-232-E00	Needle plate needle hole guide	1
*	D-2550-232-HA0	Work clamp foot, right & left asm.	1
23	D-2551-232-H00	Work clamp foot, left	(1)
24	D-2550-232-H00	Work clamp foot, right	(1)
25	D-2517-232-H00	Feed plate	1
26	D-2526-322-D00	Feed across scale	1
27	D-2516-232-H00	Feed scale	1
28	D-2220-232-K00	Thread nipper tripping segment	2
29	D-2214-232-B00	Stop tripping segment B, for 21 stitches	2
30	D-2209-232-W00	Feed cam	1
31	D-2211-232-B00	Knife cam	1
32	D-2524-K7R-Y00	Positioning pin, for work clamp foot bracket	2
○	All parts not mentioned above are same as those of model LK-232.		



20) LK-232-22 LAVER NET BAR TACKING MACHINE

Ref. No.	Part No.	Description	Amt. Req.
1	B-LKSUB00022	Subclass No. plate 22	1
2	D-2426-232-X00	Needle plate needle hole guide	1
*	D-2550-232-XA0	Work clamp foot, right & left asm.	1
4	D-2551-232-X00	Work clamp foot, left	(1)
5	D-2550-232-X00	Work clamp foot, right	(1)
6	D-2557-232-X00	Rope holder, left	1
7	D-2556-232-X00	Rope holder, right	1
8	SS-6080410-SP	... Screw	2
9	D-2517-232-X00	Feed plate	1
	B-2429-232-000	... Pin	4
	D-2555-232-X00	Rope guide	2
10	D-7102-232-X00	Motor pulley (1300 s.p.m.), 60Hz	1
	D-7101-232-X00	Motor pulley (1300 s.p.m.), 50Hz	(1)
○	All parts not mentioned above are same as those of model LK-232.		

21) LK-232-24 LARGE BAR TACKING MACHINE

11	B-LKSUB00024	Subclass No. plate 24	1
*	D-2550-232-ZA0	Work clamp foot, right & left asm.	1
12	D-2551-232-Z00	Work clamp foot, left	(1)
13	D-2550-232-Z00	Work clamp foot, right	(1)
14	D-2517-232-Z00	Feed plate	1
15	D-2526-232-V00	Feed across scale	1
16	D-2541-232-GA0	Feed across shaft crank, front B asm.	1
17	D-2209-232-Z00	Feed cam	1
○	All parts not mentioned above are same as those of model LK-232.		

22) LK-232-29 TRIANGLE SEWING MACHINE

18	B-LKSUB00029	Subclass No. plate 29	1
19	D-2426-232-E00	Needle plate needle hole guide	1
20	D-2516-232-M00	Feed scale	1
21	SS-6090440-SP	Feed regulator stop screw	1
22	B-1501-232-00B	Clamp foot lifting lever	1
23	SS-7110820-SP	Adjusting screw, for clamp foot lifting base	1
24	B-1503-232-00B	Clamp foot lifting base	1
25	D-2530-232-B00	Feed across stop roller	1

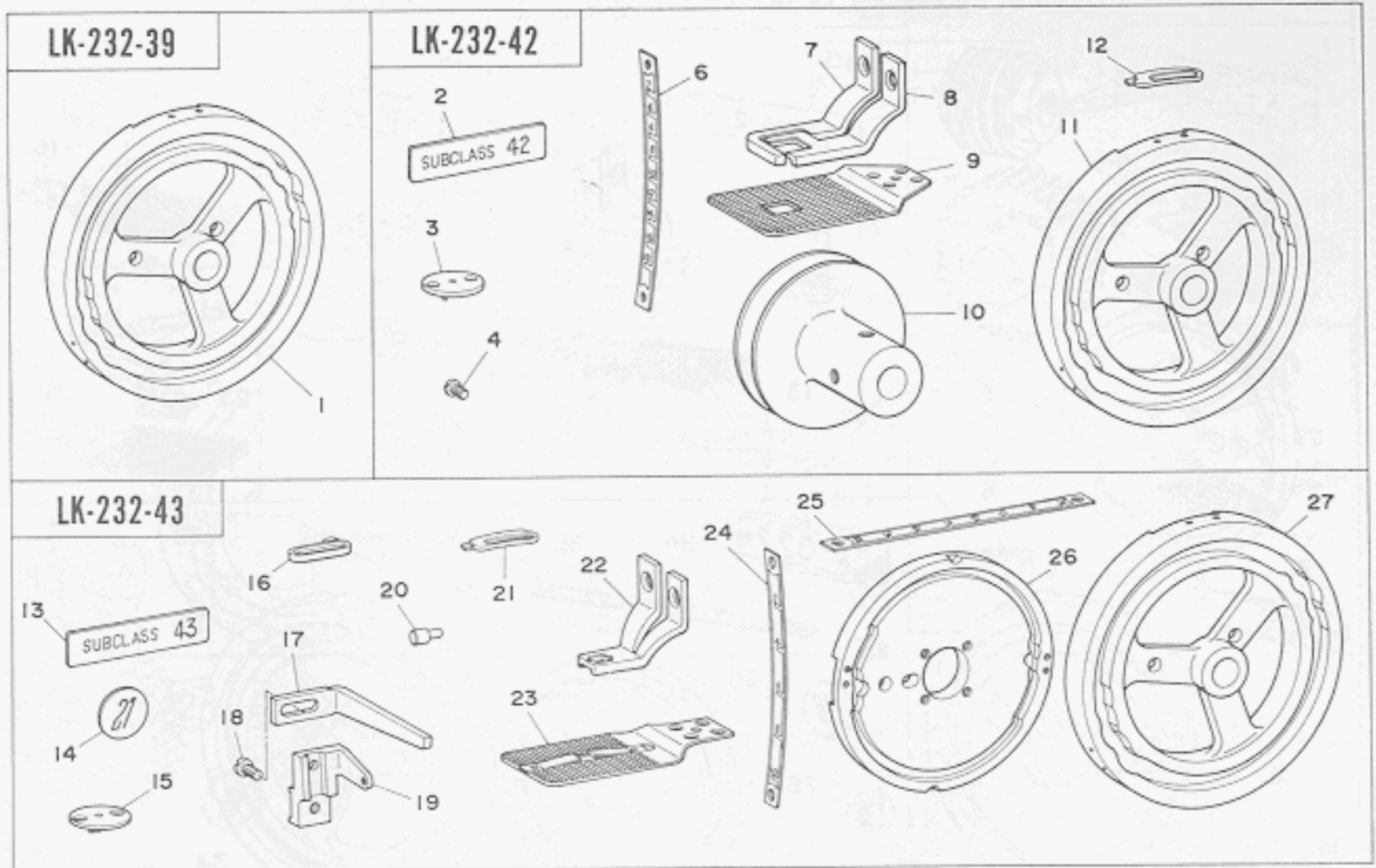
26	SS-7151330-SP	... Screw	1
27	D-2220-232-K00	Thread nipper tripping segment	1
28	D-2209-K0A-E00	Feed cam	1
29	D-2526-232-F00	Feed across scale	1
*	D-2550-K0A-EA0	Work clamp foot, right & left asm.	1
30	D-2551-K0A-E00	Work clamp foot, left	(1)
31	D-2550-K0A-E00	Work clamp foot, right	(1)
32	D-2517-K0A-E00	Feed plate	1
33	D-2524-232-M00	Positioning pin, for work clamp foot bracket	2
○	All parts not mentioned above are same as those of model LK-232.		

23) LK-232-30 NET SEWING MACHINE

34	D-2209-K0A-F00	Feed cam	1
○	All parts not mentioned above are same as those of model LK-232.		

24) LK-232-35 SEMI-CIRCULAR SHAPING MACHINE

35	B-LKSUB00035	Subclass No. plate 35	1
36	D-2426-K9S-E00	Needle plate needle hole guide	1
37	D-2516-232-S00	Feed scale	1
38	D-2541-232-GA0	Feed across shaft crank, front B asm.	1
39	B-1501-232-00B	Clamp foot lifting lever	1
40	SS-7110820-SP	Adjusting screw, for work clamp foot lifting base	1
41	B-1503-232-00B	Clamp foot lifting base	1
42	D-7102-232-X00	Motor pulley (1300 s.p.m.), 60Hz	1
	D-7101-232-X00	Motor pulley (1300 s.p.m.), 50Hz	(1)
43	D-2526-232-V00	Feed across scale	1
*	D-2550-K0A-LA0	Work clamp foot, right & left asm.	1
44	D-2551-K0A-L00	Work clamp foot, left	(1)
45	D-2550-K0A-L00	Work clamp foot, right	(1)
46	D-2517-K0A-L00	Feed plate	1
47	D-2209-K0A-L00	Feed cam	1
48	D-2220-232-K00	Thread nipper tripping segment	1



49	B-2520-232-00B	Work clamp frame, for wide width	1
50	B-3129-053-000	Tension spring, No.2	1
51	D-1504-K9S-E00	Presser bar lifting bracket	1
52	D-1806-K9S-E00	Shuttle driver shaft crank	1
53	D-3128-K9S-E00	Take-up spring	1

○ All parts not mentioned above are same as those of model LK-232.

25) LK-232-39 VERTICAL LONG SHAPE SEWING MACHINE

Ref. No.	Part No.	Description	Amt. Req.
1	D-2209-K0A-Q00	Feed cam	1

○ All parts not mentioned above are same as those of model LK-232.

26) LK-232-42 DOUBLE SQUARE SHAPE SEWING MACHINE

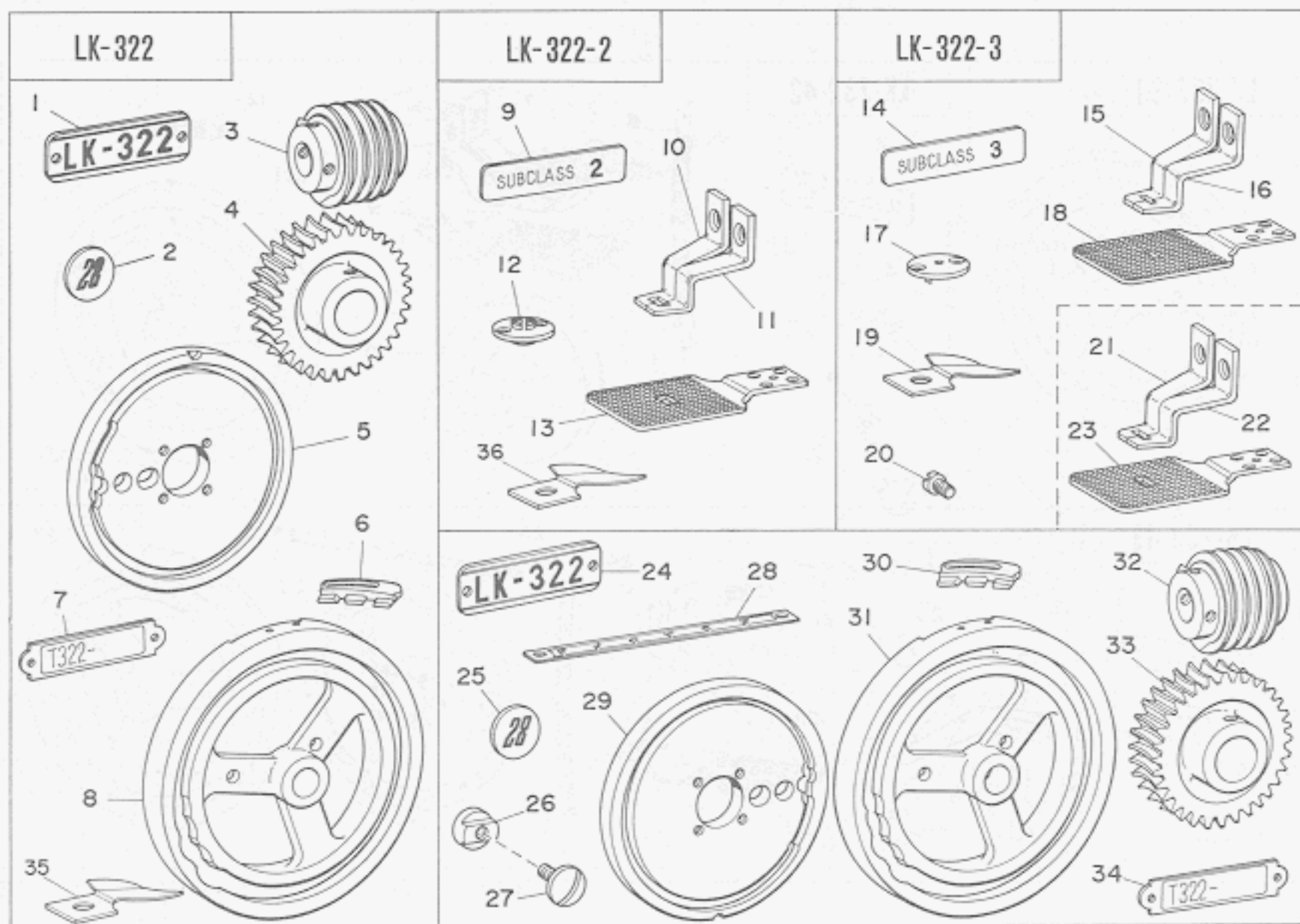
2	B-LKSUB00042	Subclass No. plate 42	1
3	D-2426-232-E00	Needle plate needle hole guide	1
4	SS-6090440-SP	Feed regulator stop screw	1
6	D-2516-232-S00	Feed scale	1
*	D-2550-K0A-TA0	Work clamp foot, right & left asm.	1
7	D-2551-K0A-T00	Work clamp foot, left	(1)
8	D-2550-K0A-T00	Work clamp foot, right	(1)
9	D-2517-K0A-T00	Feed plate	1
10	D-7102-232-X00	Motor pulley (1300 s.p.m.), 60Hz	1
	D-7101-232-X00	Motor pulley (1300 s.p.m.), 50Hz	(1)
11	D-2209-K0A-T00	Feed cam	1
12	D-2220-232-K00	Thread nipper tripping segment	1

○ All parts not mentioned above are same as those of model LK-232.

27) LK-232-43 BAND LOOP ATTACHING SEWING MACHINE

Ref. No.	Part No.	Description	Amt. Req.
13	B-LKSUB00043	Subclass No. plate 43	1
14	D-1116-232-B00	Stitch number plate, for 21 stitches	1
15	D-2426-232-E00	Needle plate needle hole guide	1
16	D-2214-232-B00	Stop tripping segment B	2
17	B-1501-232-00B	Clamp foot lifting lever	1
18	SS-7110820-SP	Adjusting screw, for clamp foot lifting base	1
19	B-1503-232-00B	Clamp foot lifting base	1
20	D-2524-K7R-U00	Positioning pin, for work clamp foot bracket	2
21	D-2220-232-K00	Thread nipper tripping segment	2
22	D-2551-K0A-U00	Work clamp foot	1
23	D-2517-K0A-U00	Feed plate	1
24	D-2516-232-M00	Feed scale	1
25	D-2526-232-E00	Feed across scale	1
26	D-2211-232-B00	Knife cam	1
27	D-2209-K0A-U00	Feed cam	1

○ All parts not mentioned above are same as those of model LK-232.



28) LK-322 Tail of eyelet buttonhole bar tacking

Ref. No.	Part No.	Description	Amt. Req.
1	B-1112-322-000	Model plate	1
2	B-1116-322-000	Stitch number plate, for 28 stitches	1
3	B-2207-322-000	Feed cam driving worm, for 28 stitches	1
4	B-2206-322-000	Feed cam driving worm wheel, for 28 stitches	1
5	B-2211-322-000	Knife cam, for 28 stitches	1
6	B-2220-322-000	Thread nipper tripping segment, for 28 stitches	1
7	B-1199-322-000	Number plate	1
8	B-2209-322-000	Feed cam, for 28 stitches	1
35	D-2423-232-C00	Needle thread knife	1
○	All parts not mentioned above are same as those of model LK-232-4.		

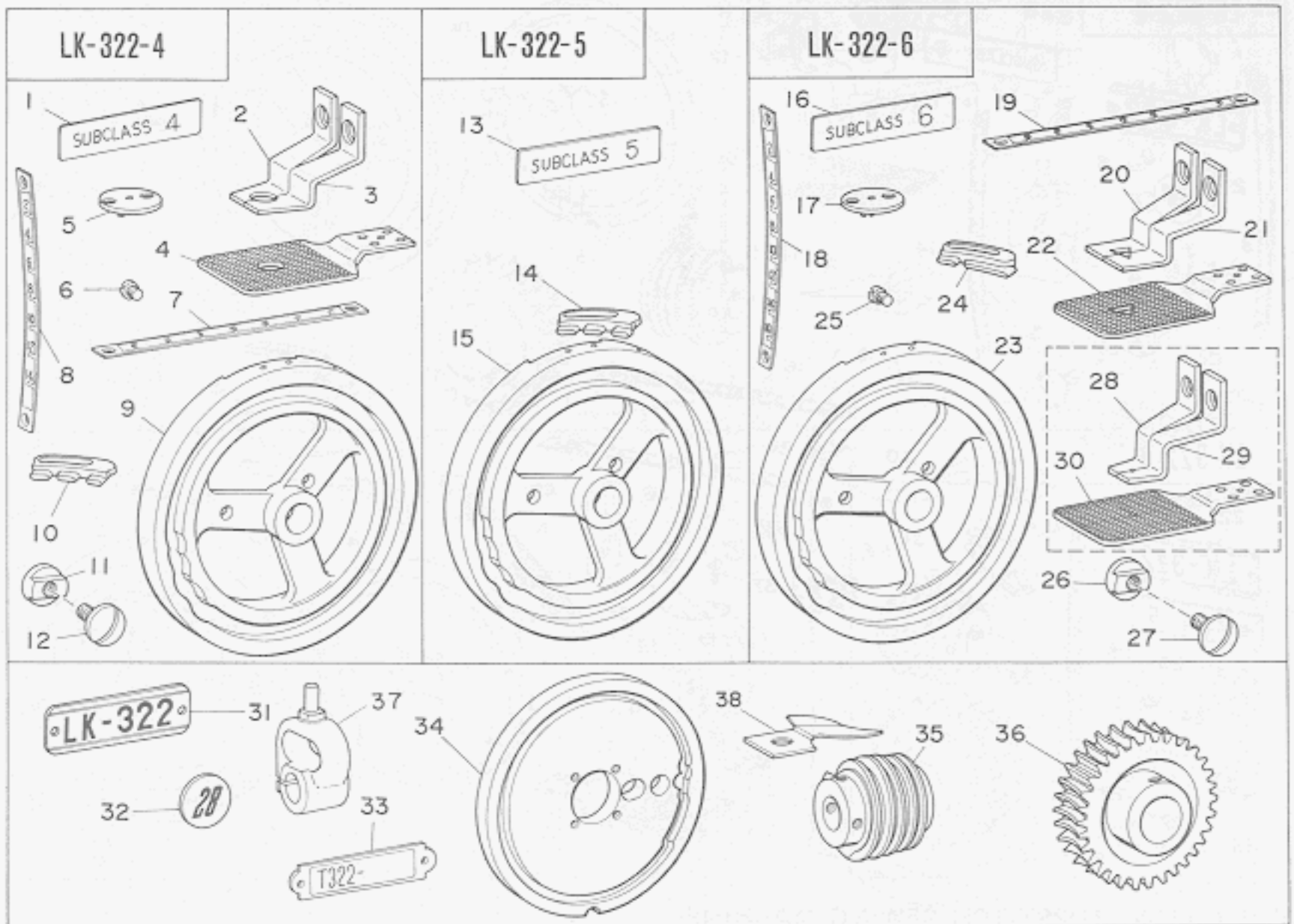
29) LK-322-2 Smaller bar tacking

9	B-LKSUB00002	Subclass No. plate 2	1
*	D-2550-232-BA0	Work clamp foot complete	1
10	D-2551-232-B00	Work clamp foot, left	(1)
11	D-2550-232-B00	Work clamp foot, right	(1)
12	D-2426-232-B00	Needle plate needle hole guide	1
13	D-2517-232-B00	Feed plate	1
*24	B-1112-322-000	Model plate	1
*25	B-1116-322-000	Stitch number plate, for 28 stitches	1
*26	D-2530-232-B00	Feed across stop roller	1
*27	SS-7151330-SP	. . . Screw	1
*28	D-2526-232-B00	Feed scale	1

Ref. No.	Part No.	Description	Amt. Req.
*29	B-2211-322-000	Knife cam, for 28 stitches	1
*30	B-2220-322-000	Thread nipper tripping segment, for 28 stitches	1
*31	B-2209-322-000	Feed cam, for 28 stitches	1
*32	B-2207-322-000	Feed cam driving worm, for 28 stitches	1
*33	B-2206-322-000	Feed cam driving worm wheel, for 28 stitches	1
*34	B-1199-322-000	Number plate	1
36	D-2423-232-C00	Needle thread knife	1
○	All parts not mentioned above are same as those of model LK-232.		

30) LK-322-3 Knit goods bar tacking

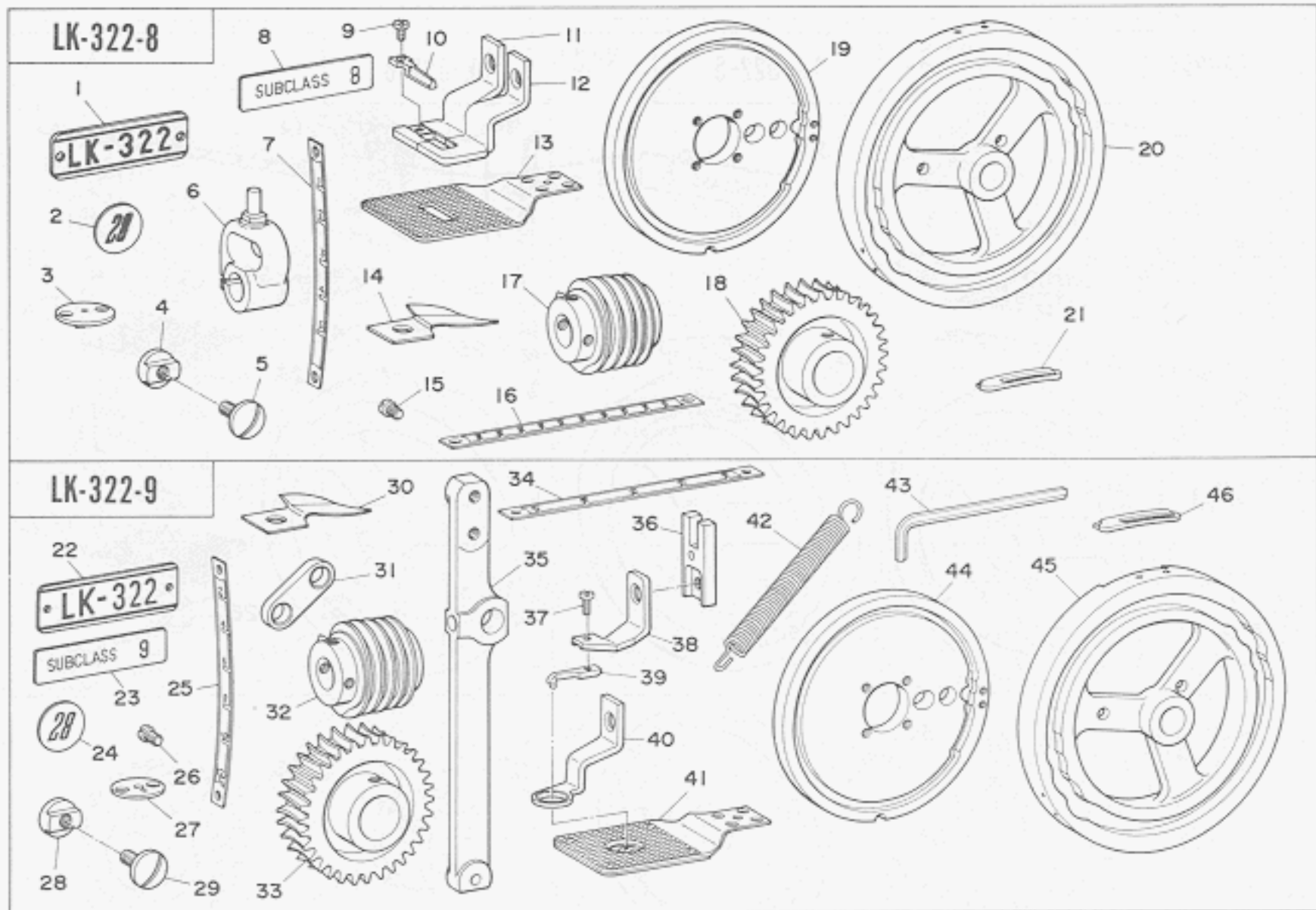
14	B-LKSUB00003	Subclass No. plate 3	1
*	D-2550-232-CA0	Work clamp foot complete	1
15	D-2551-232-C00	Work clamp foot, left	(1)
16	D-2550-232-C00	Work clamp foot, right	(1)
17	D-2426-232-E00	Needle plate needle hole guide	1
18	D-2517-232-C00	Feed plate	1
19	D-2423-232-C00	Needle thread knife	1
20	SS-6090440-SP	Feed regulator stop screw	1
(21)	D-2551-232-C0A	Work clamp foot, left, large	(1)
(22)	D-2550-232-C0A	Work clamp foot, right, large	(1)
(23)	D-2517-232-C0A	Feed plate, large	(1)
○	All parts not mentioned above are same as those of model LK-232, but (*) marks of model LK-322-2 are also same as this model.		



31) LK-322-4 Round shaped bar tacking

Ref. No.	Part No.	Description	Amt. Req.
1	B-LKSUB00004	Subclass No. plate	1
*	D-2550-232-DA0	Work clamp foot complete	1
2	D-2551-322-D00	Work clamp foot, left	(1)
3	D-2550-322-D00	Work clamp foot, right	(1)
4	D-2517-322-D00	Feed plate	1
5	D-2426-232-E00	Needle plate needle hole guide, for special tacks	1
6	SS-6090440-SP	Feed regulator stop screw	1
7	D-2526-322-D00	Feed across scale	1
8	D-2516-322-D00	Feed scale	1
9	D-2209-322-D00	Feed cam, for 28 stitches	1
10	D-2220-KIA-A00	Thread nipper tripping segment	1
11	D-2530-232-B00	Feed across stop roller	1
12	SS-7151330-SP	. . . Screw	1
*31	B-1112-322-000	Model plate	1
*32	B-1116-322-000	Stitch No. plate, for 28 stitches	1
*33	B-1199-322-000	Number plate	1
*34	B-2211-322-000	Knife cam, for 28 stitches	1
*35	B-2207-322-000	Feed cam driving worm, for 28 stitches	1
*36	B-2206-322-000	Feed cam driving worm wheel, for 28 stitches	1
*38	D-2423-232-C00	Needle thread knife	1
○	All parts not mentioned above are same as those of model LK-232.		
32)	LK-322-5	Bar tacking (28 stitches)	
13	B-LKSUB00005	Subclass No. plate 5	1
14	B-2220-322-000	Thread nipper tripping segment	1

Ref. No.	Part No.	Description	Amt. Req.
15	D-2209-322-E00	Feed cam	1
*38	D-2423-232-C00	Needle thread knife	1
○	All parts not mentioned above are same as those of model LK-232, but (*) marks of model LK-322-4 are also same as this model.		
33)	LK-322-6	Right sided triangle shaping	
16	B-LKSUB00006	Subclass No. plate 6	1
17	D-2426-232-E00	Needle plate needle hole guide, for special tacks	1
18	D-2516-322-F00	Feed scale	1
19	D-2526-322-D00	Feed across scale	1
*	D-2550-232-FA0	Work clamp foot complete	1
20	D-2551-322-F00	Work clamp foot, left	(1)
21	D-2550-322-F00	Work clamp foot, right	(1)
22	D-2517-322-F00	Feed plate	1
23	D-2209-322-F00	Feed cam	1
24	D-2220-KIA-A00	Thread nipper tripping segment	1
25	SS-6090440-SP	Feed regulator stop screw	1
26	D-2530-232-B00	Feed across stop roller	1
27	SS-7151330-SP	. . . Screw	1
(28)	D-2551-322-FOB	Work clamp foot blank, left	(1)
(29)	D-2550-322-FOB	Work clamp foot blank, right	(1)
(30)	D-2517-322-FOB	Feed plate blank	(1)
37	D-2541-232-GA0	Feed across shaft crank, front, asm.	1
38	D-2423-232-C00	Needle thread knife	1
○	All parts not mentioned above are same as those of model LK-232, but (*) marks of model LK-322-4 are also same as this model.		



34) LK-322-8 TOPSTITCH SEWING MACHINE FOR BREAST POCKET FACING

Ref. No.	Part No.	Description	Amt. Req.
1	B-1112-322-000	Model plate	1
2	B-1116-322-000	Stitch number plate, for 28 stitches	1
3	D-2426-232-E00	Thread nipper tripping segment	1
4	D-2530-232-B00	Feed across stop roller	1
5	SS-7151330-SP	. . . Screw	1
6	D-2541-232-GA0	Feed across shaft crank, front B asm.	1
7	D-2516-322-H00	Feed scale	1
8	B-LKSUB00008	Subclass No. plate 8	1
9	SS-7090510-SP	Intermediate clamp foot set screw	1
10	D-2552-322-H00	Intermediate clamp foot	1
*	D-2550-322-HA0	Work clamp foot, right & left asm.	1
11	D-2551-322-H00	Work clamp foot, left	(1)
12	D-2550-322-H00	Work clamp foot, right	(1)
13	D-2517-322-H00	Feed plate	1
14	D-2423-232-C00	Needle thread knife	1
15	SS-6090440-SP	Feed regulator stop screw	1
16	D-2526-232-G00	Feed scale	1
17	B-2207-322-000	Feed cam driving worm	1
18	B-2206-322-000	Feed cam driving worm wheel	1
19	B-2211-322-000	Knife cam	1
20	D-2209-322-H00	Feed cam	1
21	D-2220-K1A-A00	Thread nipper tripping segment	1

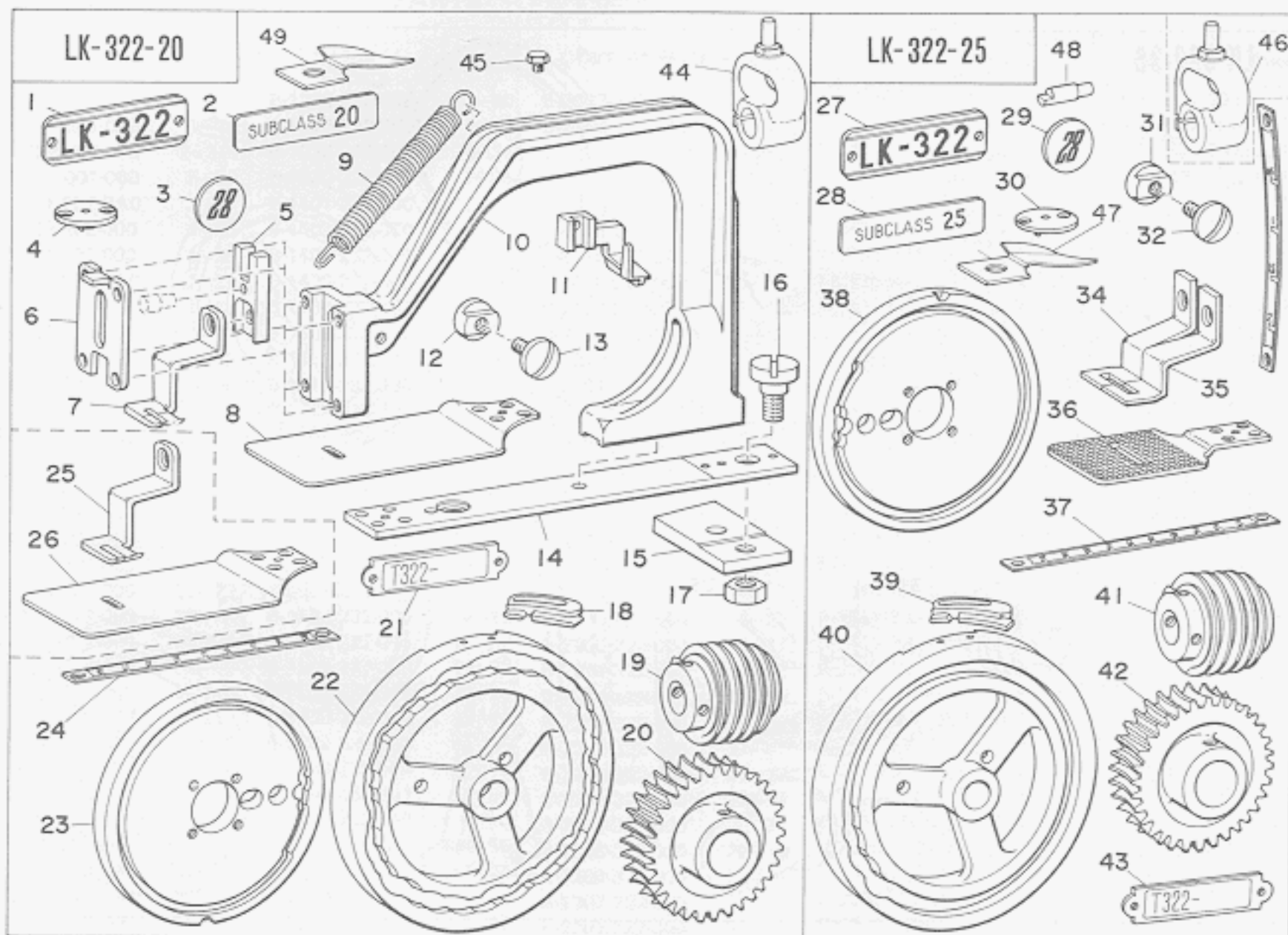
○ All parts not mentioned above are same as those of model LK-232.

35) LK-322-9 SNAP FASTENER ATTACHING MACHINE

22	B-1112-322-000	Model plate	1
23	B-LKSUB00009	Subclass No. plate 9	1
24	B-1116-322-000	Stitch number plate, for 28 stitches	1
25	D-2516-322-J00	Feed scale	1
26	SS-6090440-SP	Feed regulator stop screw	1
27	D-2426-322-J00	Needle plate needle hole guide	1
28	D-2530-232-B00	Feed across stop roller	1

29	SS-7151330-SP	. . . Screw	1
30	D-2423-232-C00	Needle thread knife	1
31	D-1510-322-J00	. . . Driving link	1
32	B-2207-322-000	Feed cam driving worm	1
33	B-2206-322-000	Feed cam driving worm gear	1
34	D-2526-322-J00	Feed across scale	1
35	D-2401-322-J00	Knife bar tripping lever	1
36	D-2553-232-K00	Work clamp foot bracket	1
37	SS-6080652-TP	Snap fastener clamp foot set screw	1
38	D-2561-322-J00	Snap fastener clamp foot installing plate	1
39	D-2550-322-J00	Snap fastener clamp foot, 8 mm	1
	D-2550-322-J0B	Snap fastener clamp foot, 7 mm	(1)
	D-2550-322-J0C	Snap fastener clamp foot, 5 mm	(1)
	D-2550-322-J0D	Snap fastener clamp foot, 10 mm	(1)
	D-2550-322-J0E	Snap fastener clamp foot, 12 mm	(1)
40	D-2551-322-J00	Work clamp foot, left	1
41	D-2517-322-J00	Feed plate	1
	D-2560-322-J00	Snap fastener receiver	1
	D-2556-322-J00	. . . Pin	4
	D-2517-322-J0B	Feed plate, for 5 mm snap fastener	(1)
	D-2560-322-J0B	Snap fastener receiver, 5 mm snap	(1)
	D-2517-322-J0C	Feed plate, for 12 mm snap fastener	(1)
	D-2560-322-J0C	Snap fastener receiver, 12 mm snap	(1)
42	D-2546-232-K00	Pressure spring	1
43	D-9140-322-J00	Box spanner	1
44	B-2211-322-000	Knife cam	1
45	D-2209-322-J00	Feed cam	1
46	D-2220-K1A-A00	Thread nipper tripping segment	1

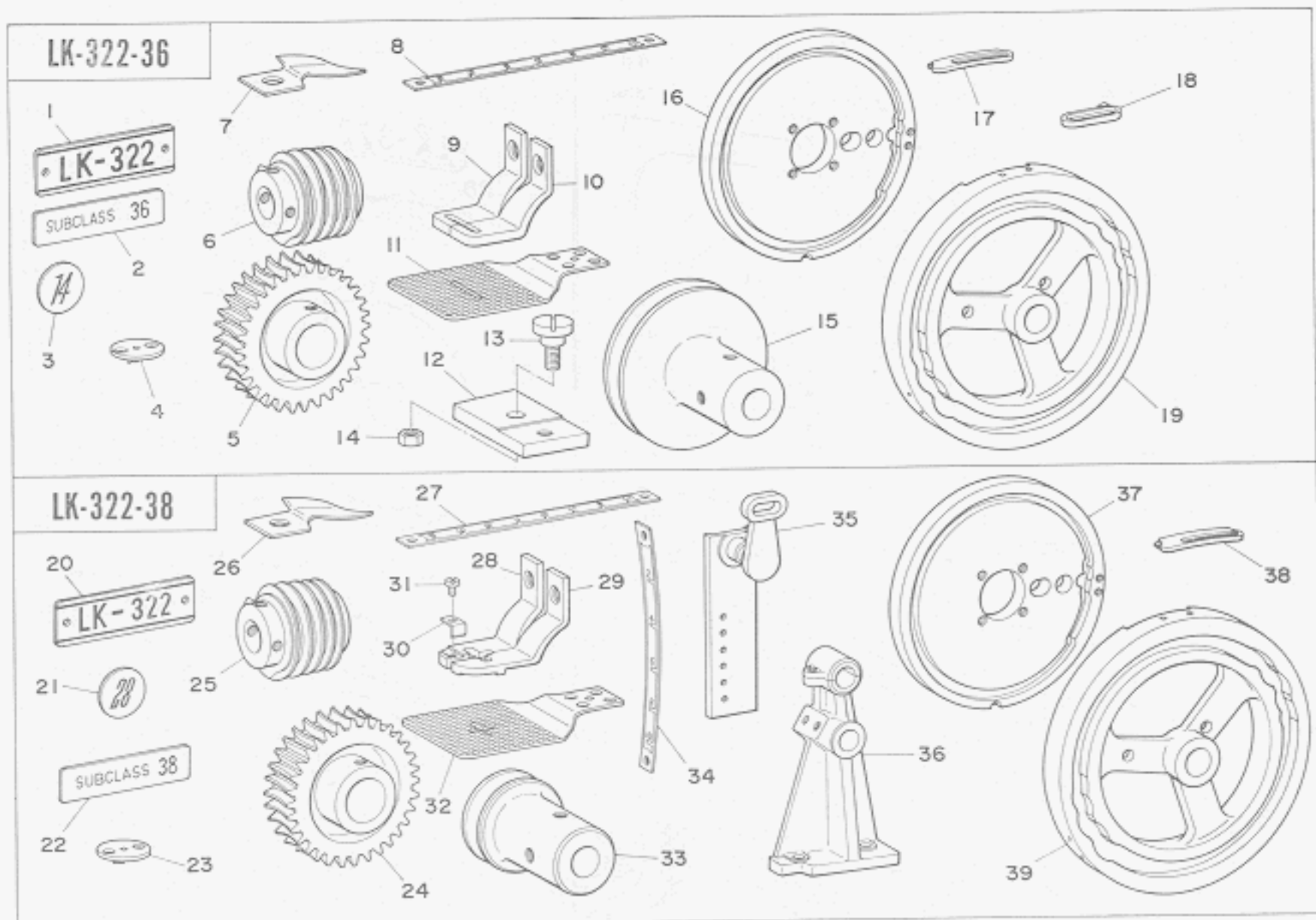
○ All parts not mentioned above are same as those of model LK-232.



36) LK-322-20 Band loop attaching

Ref. No.	Part No.	Description	Amt. Req.
1	B-1112-322-000	Model plate	1
2	B-LKSUB00020	Subclass No. plate 20	1
3	B-1116-322-000	Stitch number plate, for 28 stitches	1
4	D-2426-232-E00	Needle plate needle hole, guide, special tacks	1
5	D-2523-232-K00	Work clamp foot bracket	1
6	D-2525-232-K00	Work clamp face plate	1
7	D-2550-232-K00	Work clamp foot	1
8	D-2517-232-K00	Feed plate	1
9	D-2546-232-K00	Pressure spring	1
10	D-2520-232-K00	Work clamp frame	1
11	D-1501-232-K00	Clamp foot lifting lever	1
12	D-2530-232-B00	Feed across stop roller	1
13	SS-7151330-SP	. . . Screw	1
14	D-2512-232-K00	Feed plate carrier	1
15	D-2519-232-K00	. . . Guide plate	1
16	SD-0950491-SP	. . . Hinge screw	1
17	NS-6660430-SP	. . . Nut	1
18	B-2220-322-000	Thread nipper tripping segment, for 28 stitches	1
19	B-2207-322-000	Feed cam driving worm, for 28 stitches	1
20	B-2206-322-000	Feed cam driving worm wheel, for 28 stitches	1
21	B-1199-322-000	Number plate	1
22	D-2209-322-V00	Feed cam, for 28 stitches	1
23	B-2211-322-000	Knife cam, for 28 stitches	1
24	D-2526-322-V00	Feed across scale, 28 stitches	1
44	D-2541-232-GA0	Feed across shaft crank, front, asm.	1
45	SS-9110543-CP	Bolt, for feed plate	1
49	D-2423-232-C00	Needle thread knife	1

Ref. No.	Part No.	Description	Amt. Req.
(25)	D-2550-322-V00	Work clamp foot, large	(1)
(26)	D-2517-322-V00	Feed plate, large	(1)
○	All parts not mentioned above are same as those of model LK-232.		
37) LK-322-25 Straight lined shaping			
27	B-1112-322-000	Model plate	1
28	B-LKSUB00025	Subclass No. plate 25	1
29	B-1116-322-000	Stitch number plate, for 28 stitches	1
30	D-2426-232-E00	Needle plate needle hole guide, for special tacking	1
31	D-2530-232-B00	Feed across stop roller	1
32	SS-7151330-SP	. . . Screw	1
33	D-2516-KIA-A00	Feed scale, for 28 stitches	1
*	D-2550-232-HA0	Work clamp foot complete	1
34	D-2551-232-H00	Work clamp foot, left	(1)
35	D-2550-232-H00	Work clamp foot, right	(1)
36	D-2517-KIA-A00	Feed plate	1
37	D-2526-232-G00	Feed scale	1
38	B-2211-322-000	Knife cam, for 28 stitches	1
39	D-2220-KIA-A00	Thread nipper tripping segment, for 28 stitches	1
40	D-2209-KIA-A00	Feed cam	1
41	B-2207-322-000	Feed cam driving worm, for 28 stitches	1
42	B-2206-322-000	Feed cam driving worm wheel, for 28 stitches	1
43	B-1199-322-000	Number plate	1
46	D-2541-232-GA0	Feed across shaft crank, front, asm.	(1)
47	D-2423-232-C00	Needle thread knife	1
48	D-2524-232-M00	. . . Pin	2
○	All parts not mentioned above are same as those of model LK-232.		



38) LK-322-36 STRAIGHT LINE SEWING MACHINE

Ref. No.	Part No.	Description	Amt. Req.
1	B-1112-322-000	Model plate	1
2	B-LKSUB00036	Subclass No. plate 36	1
3	D-1116-K1A-M00	Stitch number plate, for 14 stitches	1
4	D-2426-232-E00	Needle plate needle hole guide	1
5	B-2206-322-000	Feed cam driving worm gear	1
6	B-2207-322-000	Feed cam driving worm	1
7	D-2423-232-C00	Needle thread knife	1
8	D-2526-322-D00	Feed across scale	1
*	D-2550-K1A-MA0	Work clamp foot, right & left asm.	1
9	D-2551-K1A-M00	Work clamp foot, left	(1)
10	D-2550-K1A-M00	Work clamp foot, right	(1)
11	D-2517-K1A-M00	Feed plate	1
12	D-2519-232-K00	Guide plate, for feed plate carrier bar	1
13	SD-0950491-SP	. . . Hinge screw	1
14	NS-6660430-SP	. . . Nut	1
15	D-7101-232-X00	Motor pulley (1300 s.p.m.), 50 Hz	1
	D-7102-232-X00	Motor pulley (1300 s.p.m.), 60 Hz	(1)
16	D-2211-K1A-M00	Knife cam	1
17	D-2220-K1A-A00	Thread nipper tripping segment	2
18	D-2214-232-B00	Stop tripping segment B, for 21 stitches	2
19	D-2209-K1A-M00	Feed cam	1
○	All parts not mentioned above are same as those of model LK-232.		

39) LK-322-38 X-SHAPED TACKING MACHINE

Ref. No.	Part No.	Description	Amt. Req.
20	B-1112-322-000	Model plate	1
21	B-1116-322-000	Stitch number plate, for 28 stitches	1
22	B-LKSUB00038	Subclass No. plate 38	1
23	D-2426-232-E00	Needle plate needle hole guide	1
24	B-2206-322-000	Feed cam driving worm gear	1
25	B-2207-322-000	Feed cam driving worm	1
26	D-2423-232-C00	Needle thread knife	1
27	D-2526-232-E00	Feed across scale	1
*	D-2550-K1A-PA0	Work clamp foot, right & left asm.	1
28	D-2551-K1A-P00	Work clamp foot, left	(1)
29	D-2550-K1A-P00	Work clamp foot, right	(1)
30	D-2580-K1A-P00	Work clamp guide	1
31	SS-4080310-SP	. . . Screw	1
32	D-2517-K1A-P00	Feed plate	1
33	D-7101-K1A-P00	Motor pulley (800 s.p.m.), 50Hz	(1)
	D-7102-K1A-P00	Motor pulley (800 s.p.m.), 60Hz	1
34	D-2516-K7A-C00	Feed scale	1
35	B-2501-232-00B	Feed regulator	1
36	B-2527-232-00B	Bearing bracket	1
37	B-2211-322-000	Knife cam	1
38	B-2220-322-000	Thread nipper tripping segment	1
39	D-2209-K1A-P00	Feed cam	1
○	All parts not mentioned above are same as those of model LK-232.		

Part No.	Page	Ref. No.
SS-8110410-TP	5-47	
SS-8110520-TP	5-51	
SS-8150410-TP	3-42	
SS-8150410-SP	4- 6	
SS-8150410-TP	9-16	
SS-8150710-SP	3-27	
SS-8150710-SP	5-49	
SS-8150710-SP	9-14	
SS-8150760-TP	3-15	
SS-8151150-TP	6- 7	
SS-8151150-TP	6-18	
SS-8151150-SP	10- 9	
SS-8151550-SP	10-29	
SS-8660530-TP	5-56	
SS-8660610-TP	3-28	
SS-8701140-SP	3-21	
SS-9110460-CP	8-22	
SS-9110463-CP	8-21	
SS-9110543-SP	8-23	
SS-9110543-SP	14- 5	
SS-9110543-CP	17-36	
SS-9110543-CP	27-45	
SS-9110920-CP	7-14	
SS-9202443-CP	11-15	
SS-9202443-SP	11-18	
SS-9150730-SP	14-36	
SS-9150860-SP	4-31	
SS-9151120-CP	5-21	
SS-9151120-CP	8-18	
SS-9151120-CP	11-16	
SS-9151160-CP	14-19	
SS-9151440-CP	8-11	
SS-9151630-CP	4-22	
SS-9151630-CP	6- 3	
SS-9151630-CP	7-24	
SS-9151630-CP	9-33	
SS-9151630-CP	10- 5	
SS-9151630-CP	11-11	
SS-9152130-CP	4-14	
SS-9152130-SP	10-19	

WASHER

WS-0451040-KP	7-15	
WP-0480856-SP	2-36	
WP-0480856-SP	13- 7	
WP-0501016-SD	1- 5	
WP-0501016-SD	5-44	
WP-0501016-SD	7-27	
WP-0612056-SD	10-34	
WP-0612056-SD	11- 2	
WP-0612516-SD	8-12	
WP-0612516-SD	10-18	
WP-0612516-SD	11-10	
WP-0621016-SD	4-16	
WP-0621016-SD	4-23	
WP-0621016-SD	6- 6	
WP-0621016-SD	7-25	
WP-0621016-SD	7-33	
WP-0621016-SD	8-19	
WP-0621016-SD	9-18	
WP-0621016-SD	9-18A	
WP-0651056-SD	4-26	
WP-0850002-SD	1-19	